

# EVK-M8T

## Evaluation Kit

### User Guide



### Abstract

This document describes the structure and use of the EVK-M8T evaluation kit and provides information for evaluating and testing u-blox M8 positioning technology for timing and raw data applications.

# Document Information

<b>Title</b>	<b>EVK-M8T</b>		
<b>Subtitle</b>	User Guide		
<b>Document type</b>	User Guide		
<b>Document number</b>	UBX-14041540		
<b>Revision and date</b>	R05	20-May-2018	
<b>Document status</b>	Early Production Information		

This document applies to the following products:

Product name	Type number	Hardware version	ROM/FLASH version	PCN reference
EVK-M8T	EVK-M8T-0-01	B	Flash FW 3.01 TIM 1.10	UBX-16005636

## European Union regulatory compliance

EVK-M8T complies with all relevant requirements for RED 2014/53/EU. The EVK-M8T Declaration of Conformity (DoC) is available at [www.u-blox.com](http://www.u-blox.com) under Support --> Product Resources --> Conformity Declaration.

u-blox or third parties may hold intellectual property rights in the products, names, logos and designs included in this document. Copying, reproduction, modification or disclosure to third parties of this document or any part thereof is only permitted with the express written permission of u-blox.

The information contained herein is provided "as is" and u-blox assumes no liability for its use. No warranty, either express or implied, is given, including but not limited to, with respect to the accuracy, correctness, reliability and fitness for a particular purpose of the information. This document may be revised by u-blox at any time without notice. For the most recent documents, visit [www.u-blox.com](http://www.u-blox.com).

Copyright © u-blox AG.

# Contents

<b>Document Information</b> .....	<b>2</b>
<b>Contents</b> .....	<b>3</b>
<b>1 Product description</b> .....	<b>4</b>
1.1 Overview.....	4
1.2 Kit includes.....	4
1.3 Software and documentation.....	4
1.3.1 u-center GNSS evaluation software.....	4
1.4 System requirements.....	4
<b>2 Specifications</b> .....	<b>5</b>
2.1 Safety precautions.....	5
<b>3 Getting Started</b> .....	<b>6</b>
3.1 Software installation.....	6
3.2 Hardware installation.....	6
3.3 Serial port default configuration.....	6
<b>4 Device description</b> .....	<b>7</b>
4.1 Interface connection and measurement.....	7
4.2 Active antenna.....	7
4.3 Evaluation unit.....	7
4.3.1 Antenna connector.....	7
4.3.2 USB.....	7
4.3.3 UART.....	8
4.3.4 RST button.....	8
4.3.5 Safe boot button.....	8
4.3.6 Slide Switch.....	8
4.3.7 Test Connector.....	9
4.3.8 LED.....	10
4.3.9 Backup Battery.....	10
4.3.10 GNSS Configuration.....	10
<b>5 Measuring tracking current</b> .....	<b>11</b>
<b>6 Testing Power Save Mode</b> .....	<b>12</b>
<b>7 Block diagram</b> .....	<b>13</b>
<b>8 Board layout</b> .....	<b>14</b>
<b>9 Schematic</b> .....	<b>17</b>
<b>10 Battery replacement</b> .....	<b>18</b>
<b>11 Troubleshooting</b> .....	<b>19</b>
<b>12 Common evaluation pitfalls</b> .....	<b>21</b>
<b>Related documents</b> .....	<b>22</b>
<b>Revision history</b> .....	<b>22</b>
<b>Contact</b> .....	<b>23</b>

# 1 Product description

## 1.1 Overview

EVK-M8T evaluation kit makes evaluating the high performance u-blox M8T positioning products simple. The built-in USB interface provides both power supply and high-speed data transfer, and eliminates the need for an external power supply. The u-blox evaluation kits are compact, and their user friendly interface and power supply make them ideally suited for use in laboratories, vehicles and outdoor locations. Furthermore, they can be used with a PDA or a notebook PC, making them the perfect companion through all stages of design-in projects.

Evaluation Kit	Description	Suitable for
EVK-M8T	u-blox M8 Timing GNSS Evaluation Kit	NEO-M8T, LEA-M8T

Table 1: List of products supported by EVK-M8T evaluation kit

## 1.2 Kit includes

- Evaluation unit
- USB cable
- Active GPS / GLONASS / BeiDou antenna with 3 m cable
- Quick Start card

## 1.3 Software and documentation

The EVK installation software (and documentation) package can be downloaded from the Web; see the Quick Start card for the URL.

### 1.3.1 u-center GNSS evaluation software

The installation software includes u-center, an interactive tool for configuration, testing, visualization and data analysis of GNSS receivers. It provides useful assistance during all phases of a system integration project.

## 1.4 System requirements

- PC with USB interface
- Operating system: Windows Vista onwards (x86 and x64 versions)
- USB drivers are provided in the evaluation kit installation software

## 2 Specifications

Parameter	Specification
<b>Serial Interfaces</b>	1 USB V2.0 1 RS232, max. baud rate 921,6 kBd DB9 +/- 12 V level 14 pin – 3.3 V logic 1 DDC (I2C compatible) max. 400 kHz 1 SPI – clock signal max. 5,5 MHz – SPI DATA max. 1 Mbit/s
<b>Timing Interfaces</b>	2 Time-pulse outputs 1 Time-mark input
<b>Dimensions</b>	105 x 64 x 26 mm
<b>Power Supply</b>	5V via USB or external powered via extra power supply pin 14 (V5_IN) 13 (GND)
<b>Normal Operating temperature</b>	-40°C to +65°C

Table 2: EVK-M8T specifications

### 2.1 Safety precautions

EVK-M8T must be supplied by an external limited power source in compliance with clause 2.5 of the standard IEC 60950-1. In addition to an external limited power source, only separated or Safety Extra-Low Voltage (SELV) circuits are to be connected to the evaluation kit, including interfaces and antennas.

For more information about SELV circuits see section 2.2 in Safety standard IEC 60950-1.

### Warnings and certifications



**CAUTION! IN THE UNLIKELY EVENT OF A FAILURE IN THE INTERNAL PROTECTION CIRCUITRY THERE IS A RISK OF AN EXPLOSION WHEN CHARGING FULLY OR PARTIALLY DISCHARGED BATTERIES. REPLACE THE BATTERY IF IT NO LONGER HAS SUFFICIENT CHARGE FOR UNIT OPERATION. CONTROL THE BATTERY BEFORE USING IF THE DEVICE HAS NOT BEEN OPERATED FOR AN EXTENDED PERIOD OF TIME.**




Products marked with this lead-free symbol on the product label comply with the “Directive 2002/95/EC of the European Parliament and the Council on the Restriction of Use of certain Hazardous Substances in Electrical and Electronic Equipment” (RoHS).

EVK-M8T evaluation kit is RoHS compliant and green (no halogens).

## 3 Getting Started

### 3.1 Software installation

 Installation of the EVK-M8T software and documentation requires Internet access.


Choose Software only or Software and documentation installation package from u-blox website. Once the zip file is downloaded and unzipped, unzip the file in Tools folder and double-click the extracted exe file.

The software components will be installed on your system and placed under the “u-blox” folder in the “Start → Programs” menu.

### 3.2 Hardware installation

1. Connect the unit to a PC running Microsoft Windows. Options:

- USB: Connect via USB port.
- UART: Connect via RS232. Set slide switch to I2C.
- SPI / I2C compliant DDC: Connect corresponding pins (see Table 5 for pin description). Set slide switch accordingly to SPI or I2C.

 Press the RST button after changing the switch.

2. The device must always have power, either via USB on the back or the V5\_IN input on the front.
3. Connect the GNSS antenna to the evaluation unit and place the antenna in a location with good sky view.
4. Start the u-center GNSS Evaluation Software and select corresponding COM port and baud rate.

 Refer to the *u-center User Guide* [5] for more information.

### 3.3 Serial port default configuration

Parameter	Description	Remark
UART Port 1, Input	UBX and NMEA protocol at 9'600 Bd	
UART Port 1, Output	UBX and NMEA protocol at 9'600 Bd	Only NMEA messages are activated
USB, Input	UBX and NMEA protocol	
USB, Output	UBX and NMEA protocol	Only NMEA messages are activated

Table 3: Default configuration

## 4 Device description

### 4.1 Interface connection and measurement

For connecting the EVK to a PC, use a standard SUBD-9 cable and the included Micro-USB cable. Additional measurement equipment can be connected to the front connector.

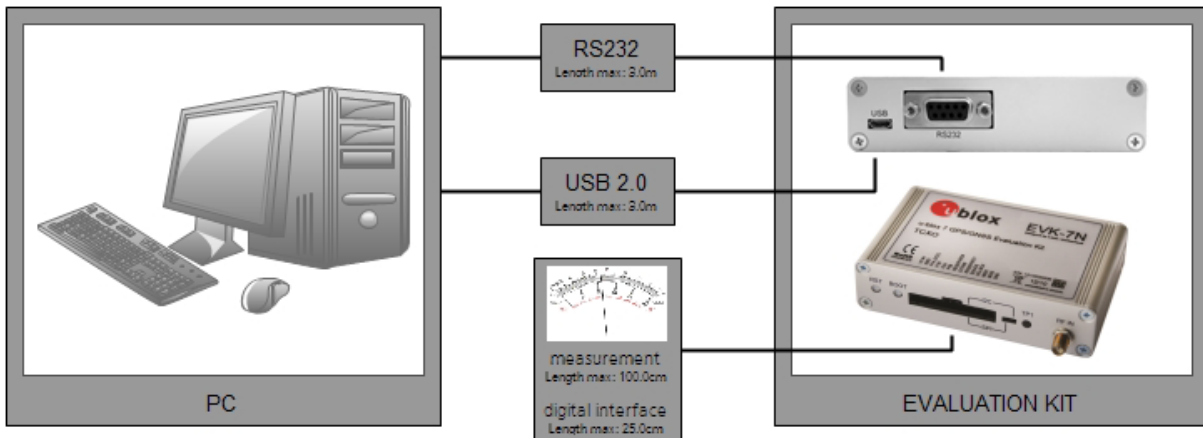


Figure 1: Connecting the unit for power supply and communication

### 4.2 Active antenna

EVK-M8 evaluation kits include a GPS / GLONASS / BeiDou antenna with a 3 m cable. It is possible to connect various active and passive GNSS antennas with SMA connectors to the evaluation unit.

The recommended maximum antenna supply current for active antennas is 30 mA.

### 4.3 Evaluation unit

Figure 2 shows the front and the rear panel of the EVK-M8T evaluation unit.



Figure 2: EVK-M8T evaluation unit – front and rear panels

#### 4.3.1 Antenna connector

An SMA female jack is available on the front side (see Figure 2) of the evaluation unit for connecting an active or passive antenna. DC voltage at the RF input is 3.3 V. The internal short circuit protection limits the maximum current to 60 mA. Please note that the 30 mA maximum supply current for active antenna stays the same. This pin is also ESD protected.

The u-blox NEO-M8T module used in the EVK-M8T incorporates an additional, off-chip LNA.

**⚠** The connector is only to be used with a GNSS antenna or simulator. Do not connect this equipment to cable distribution systems.

#### 4.3.2 USB

A USB V2.0 compatible serial port is featured for data communication and power supply.

### 4.3.3 UART

The evaluation unit includes an RS232 port for serial communication that is compatible with PC serial ports.

Connect using a straight RS232 serial cable with male and female connectors to the port on your PC. The maximum cable length is < 3.0 meters. To configure the RS232 port, use the CFG-PRT command in the u-center application. The maximum operating baud rate is 921.6 kBd.

If you are using a USB to RS232 adaptor cable, you can connect it directly to the evaluation kit RS232 port.

The 9-pin D-SUB female connector is assigned as listed in Table 4:

Pin Nr.	Assignment
1	Time-pulse 1 output (RS-232 levels)
2	TXD, GNSS Transmit Data, serial data to DTE
3	RXD, GNSS Receive Data, serial data from DTE
4	Optional time-mark input (RS-232 levels) using EXTINT0 (internal jumper J6 fitment required)
5	GND
6	Time-pulse 1 output (RS-232 levels)
7	Not connected
8, 9	not connected

**Table 4: SUB-D9 Connector pin description for EVK-M8T**

### 4.3.4 RST button

The RST button on the front panel resets the unit. To avoid an inadvertent reset, the button is recessed.

### 4.3.5 Safe boot button

This is used to set the unit in safe boot mode. In this mode the receiver executes only the minimal functionality, such as updating new firmware into the SQI flash. In order to set the receiver in safe boot mode please follow these steps.

1. Press the BOOT button and keep holding
2. Press the RST button
3. Release the RST button
4. Release the BOOT button
5. If the UART interface has to be used, the training sequence has to be sent to the receiver. The training sequence is a transmission of 0x55 55 at the baud rate of 9600 Bd. Wait for at least 100 milliseconds before the interface is ready to accept commands.

### 4.3.6 Slide Switch

Use the slide switch on the front panel to choose between I2C (and UART) and SPI communication ports. You must reset the unit by pressing the RST button when the slide switch has been changed.

1. *I2C* – In this selection the EVK operates with the UART (RS232 DB9 – rear panel or the 3.3 V level TxD (MISO), RxD (MOSI) at the front panel). Also the communication via 3.3 V DDC interface (I2C) is selected.
2. *SPI* – In this selection the EVK operates only with the SPI interface. RS232 (DB9) is switched off.



### 4.3.7 Test Connector

This 14-pin test-connector provides additional functionality to the EVK, allowing access to the interface pins and an ability to measure the current used by the EVK. All pins are ESD protected.

For accurate measurements, it is recommended to use a cable of at most 1 meter in length. Figure 3 shows an example of a power supply connected to the test connector by using standard adapter cables from the manufacture Hirschmann. Figure 4 shows an example for overall current measurement. When connecting the 3.3 V digital interfaces RS232, SPI and DDC to your application, a cable length less than 25 cm is recommended.

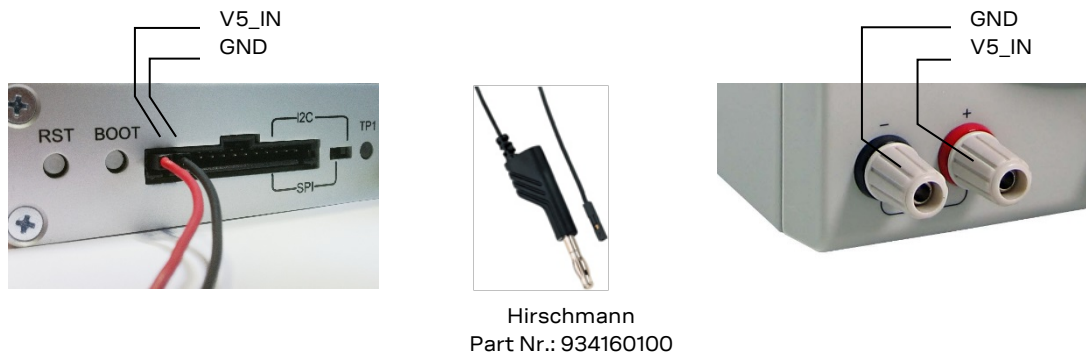


Figure 3: Example 5V DC power supply

PIN Nr.	PIN NAME	I/O	LEVEL	DESCRIPTION
14	V5_IN	I	4.75 V - 5.25 V	Power input – can be used instead of USB
13	GND	I	-	Common ground pin
12	P1A (VCC)	O	3.3 V	Power output – max. current supply 100 mA 1Ω 1% resistor for over-all current measurement to pin 11 (P1B) <i>NOTE: the current includes also SQI Flash, LNA</i>
11	P1B	O		Second connection for over-all current measurement (see Figure 5)
10	P2A	O	3.0 V	Battery output (unloaded) 100 Ω 1% resistor for battery backup current measurement to pin 9 (P2B) <i>NOTE: There is a current protection to 3 mA. See circuit in figure 7 (D2, D4, R29)</i>
9	P2B	O		Second junction for battery backup current measurement
8	TIMEPULSE 1	O	3.3V	Time pulse 1 (internally buffered output)
7	EXTINT0	I	3.3 V	External interrupt or time-mark input
6	TIMEPULSE 2	O	3.3 V	Time pulse 2 (internally buffered output)
5	SDA / CS	I/O	3.3 V	If slide switch on I2C, then DDC interface selected; Function: data input / output If slide switch on SPI, then SPI interface selected; chip select input – LOW ACTIVE
4	SCL / SCK	I/O	3.3 V	Clock input / output
3	TxD / MISO	I/O	3.3 V	If slide switch on I2C, then DDC interface selected / UART TxD (3.3V Level) If slide switch on SPI, then SPI interface selected; Master in Slave out (MISO)
2	RxD / MOSI	I/O	3.3 V	If slide switch on I2C, then DDC interface selected / UART RxD (3.3V Level) If slide switch on SPI, then SPI interface selected; Master out Slave in (MOSI)
1	GND	I	-	Common ground pin

Table 5: Connector pin description for EVK-M8T (pins numbered from right to left on the front panel)


### 4.3.8 LED

On the front panel of the unit, a single blue LED shows the time pulse 1 signal. The LED starts flashing one pulse per second during a GNSS fix. If there is no GNSS fit, the LED will only light, without flashing.

### 4.3.9 Backup Battery

There is a backup battery in the evaluation unit. This is necessary to store orbital information between operations and to enable faster start-up. It is a RENATA 3.0 V Li / MnO<sup>2</sup> battery of the type CR2450. The battery has a rated capacity of 540 mA. The battery operating temperature range is -40° C to +85° C.

If the built-in backup battery runs low or is empty after a long storage period, purchase the battery described above for replacement (refer to the section 10 for battery replacement guidelines).

 CAUTION! RISK OF EXPLOSION IF BATTERY IS REPLACED BY AN INCORRECT TYPE. DISPOSE OF USED BATTERIES ACCORDING TO THE INSTRUCTIONS!

### 4.3.10 GNSS Configuration


The EVK-M8T supports GPS, QZSS, Galileo, GLONASS, and BeiDou.

The GNSS to be used can be configured on u-center (View → Messages View then UBX-CFG-GNSS). For more information, refer to the *u-center User Guide* [5], the *u-blox 8 / u-blox M8 Receiver Description including Protocol Specification* [4].

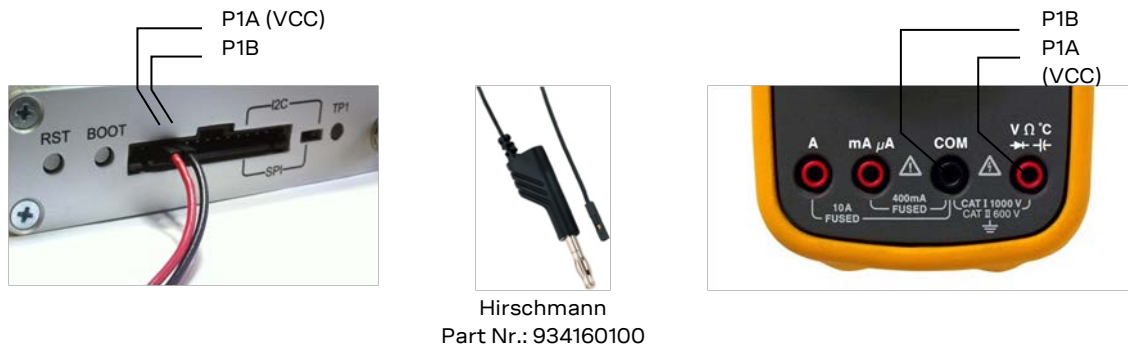
## 5 Measuring tracking current

To measure the tracking current with EVK-M8T, follow these steps:

1. Connect a true RMS voltmeter across P1A (VCC) and P1B of the front connector. (See Figure 4.)
2. Wait 12 minutes to download all GNSS orbital data, or download all the Aiding Data via the AssistNow Online service.
3. Read the voltage (and average if necessary) on the voltmeter and convert to current (1 mV equals 1 mA).
4. Perform the test with good signals and clear sky view to ensure that the receiver can acquire the satellite signals.

 The overall current measurement also includes the internal SQI flash. For ROM based products the current will be lower.

For more details see the circuit in Figure 7.



**Figure 4: Example – tracking current measurement**

## 6 Testing Power Save Mode

When testing Power Save Mode with EVK-M8, observe the following points:

- When configuring Power Save Mode you must set up the parameters using the CFG-PM2 message first and then enable Power Save Mode using CFG-RXM. The Configuration view or Messages view of the u-center evaluation software can be used to do this. When enabling the mode using CFG-RXM, always save the configuration by checking the “save configuration” box in u-center, otherwise the configuration will be lost.
- Communications to the evaluation kit must be via the UART, I2C or SPI (not USB).
- The evaluation kit can be supplied via the USB connector or via V5\_IN at the front panel connector. Do not connect the USB cable to the PC! This can be done by either connecting a USB cable from the evaluation kit to a USB hub, or by using a USB power connector.
- When altering the Power Save Mode configuration, first disable the mode using CFG-RXM (remember to enable “save configuration” again), before changing the CFG-PM2 parameters. Then re-enable Power Save Mode.



For more information, refer to the u-blox 8 / u-blox M8 Receiver Description including Protocol Specification [4].

## 7 Block diagram

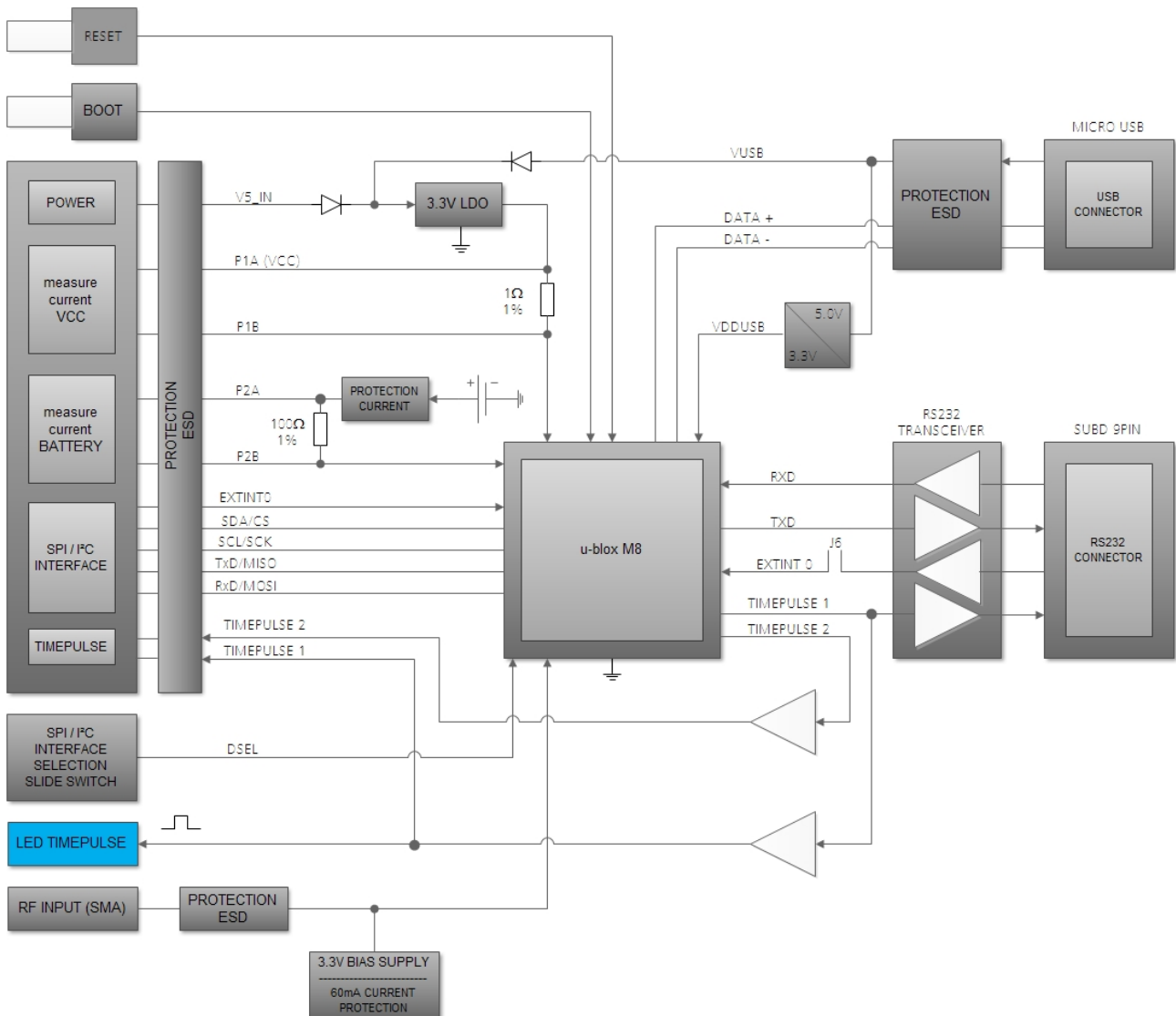


Figure 5: EVK-M8T block diagram

## 8 Board layout

Figure 6 shows the EVK-M8T board layout (PCB Version B). See Table 6 for the component list of the EVB.

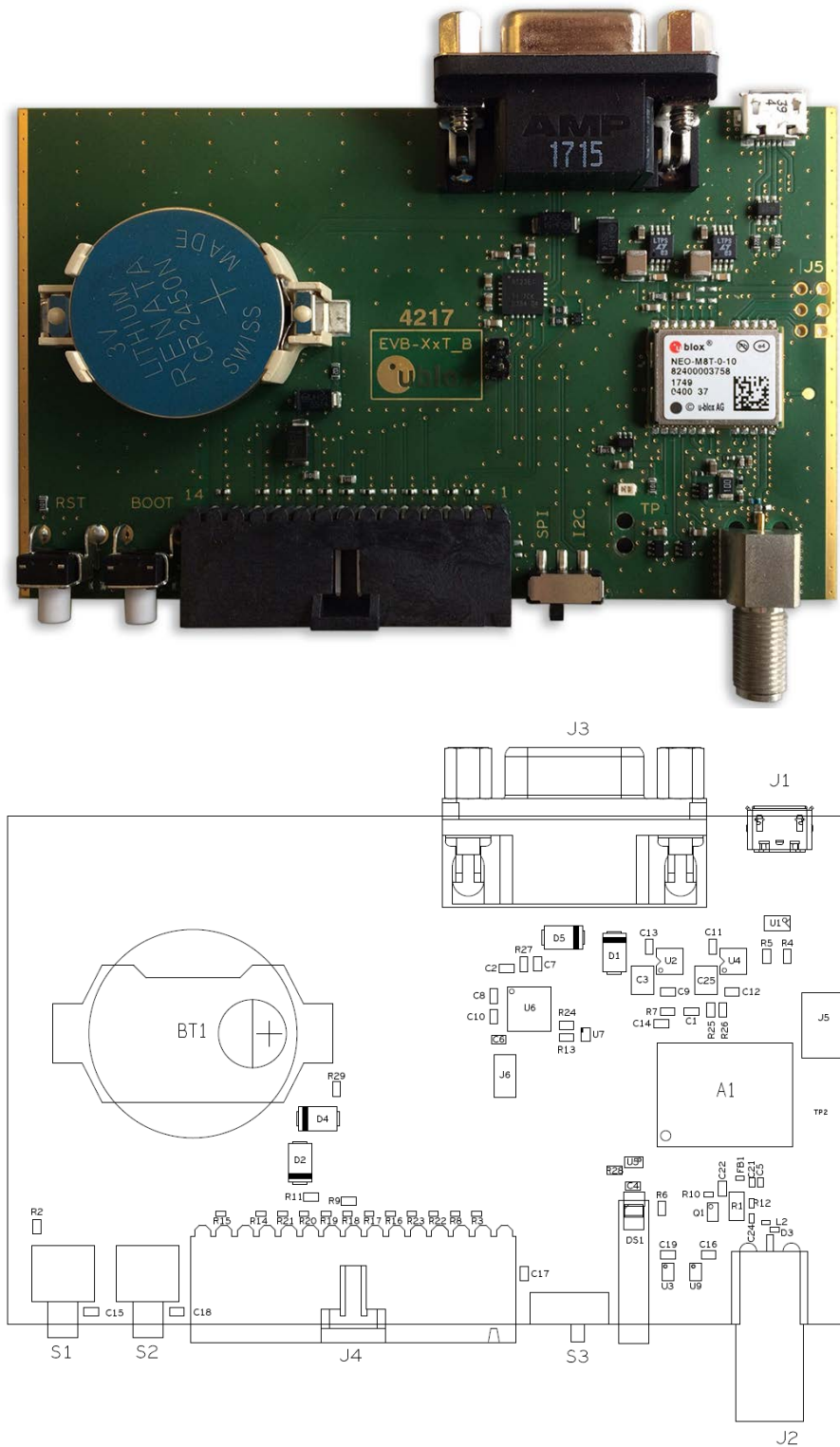


Figure 6: EVB-M8T layout

PART	DESCRIPTION
A1	GPS RECEIVER U-BLOX NEO-M8T-0-00 -40/+85C
BT1	BATTERY HOLDER RENATA CR2450N 3V
C1 C11 C13 C22	CAP CER X5R 0603 1U0 10% 6.3V
C2 C4 C6 C7 C8 C10 C14 C16 C19	CAP CER X7R 0603 100N 10% 10V
C3 C25	CAP CER X5R 1210 10U 10% 10V
C5	CAP CER X7R 0402 1N0 10% 16V
C9 C12	CAP CER X7R 0603 10N 10% 25V
C21	CAP CER COG 0402 22P 5% 25V
C24	CAP CER X5R 0402 100N 10% 10V
D1 D2 D4 D5	SURFACE MOUNT SCHOTTKY BARRIER RECTIFIER SS14 1A -55/+125C
D3 R17 R18 R20 R21 R22 R23	ESD PROTECTION FOR HIGH SPEED LINES, TYCO, 0.25PF, PESD0402-140 -55/+125C
DS1	LED OSRAM HYPER MINI TOPLED LB M673-L1N2-35 BLUE 0.02A
FB1	FERRITE BEAD MURATA BLM15HD 0402 1000R@100MHZ
J1	CON USB RECEPTACLE MICRO B TYPE SMD – MOLEX 47346-0001 – TID60001597 30V 1A
J2	CON SMA SMD STRAIGHT JACK 11.4MM HEIGHT WITHOUT WASHER AND NUT
J3	9 POLE SUBD CONNECTOR FEMALE
J4	14PIN 90°xBO 2.54MM PITCH DISCONNECTABLE CRIMP CONNECTOR -40/+85C
J6	CON 1-ROW THT 100MIL GRID 2PINS 0.64MM SQUARE 6.1MM HEIGHT
L2	IND MURATA LQW15A 0402 120N 5% 0.64A -55/+125C
Q1	MBT3906DW1T1G DUAL GENERAL PURPOSE TRANSISTOR 0.2A 0.15W -40/+125C
R1	RES THICK FILM CHIP 1206 10R 5% 0.25W
R2 R6 R11	RES THICK FILM CHIP 0603 100R 5% 0.1W
R3 R8 R14 R15 R19	VARISTOR BOURNS MLE SERIES CG0402MLE-18G 18V
R4 R5	RES THICK FILM CHIP 0603 22R 5% 0.1W -55/+125C
R7	RES THICK FILM CHIP 0603 1R0 5% 0.1W
R9 R28	RES THICK FILM CHIP 0603 51R 1% 0.063W
R10	RES THICK FILM CHIP 0402 220R 5% 0.1W
R12	RES THICK FILM CHIP 0402 2K2 5% 0.1W
R13 R24 R27	RES THICK FILM CHIP 0603 100K 5% 0.1W
R29	RES THICK FILM CHIP 0603 1K0 5% 0.1W
S1 S2	SWITCH SPST ON 1POL TYCO -40/+85C
S3	2 WAY SUB-MINIATURE SLIDE SWITCH SMD JS SERIES – SPDT -40/+85C
U1	USB DATA LINE PROTECTION ST USBL6-2SC6 SOT23-6
U2 U4	LOW DROPOUT REGULATOR LINEAR LT1962 MS8 3.3V 0.3A
U3 U5 U9	TINY LOGIC UHS BUFFER OE_N ACTIVE LOW FAIRCHILD NC7SZ125 SC70
U6	RS-232 TRANSCEIVER 1MBIT 3-5,5VOLT TRSF3223 – VQFN20 5.5V 5.5V -40/+85C
U7	TINY LOGIC ULP-A 2-INPUT AND GATE 1.45X1.0 6-LEAD MICROPAC -40/+85C

Table 6: EVB-M8T component list

# 9 Schematic

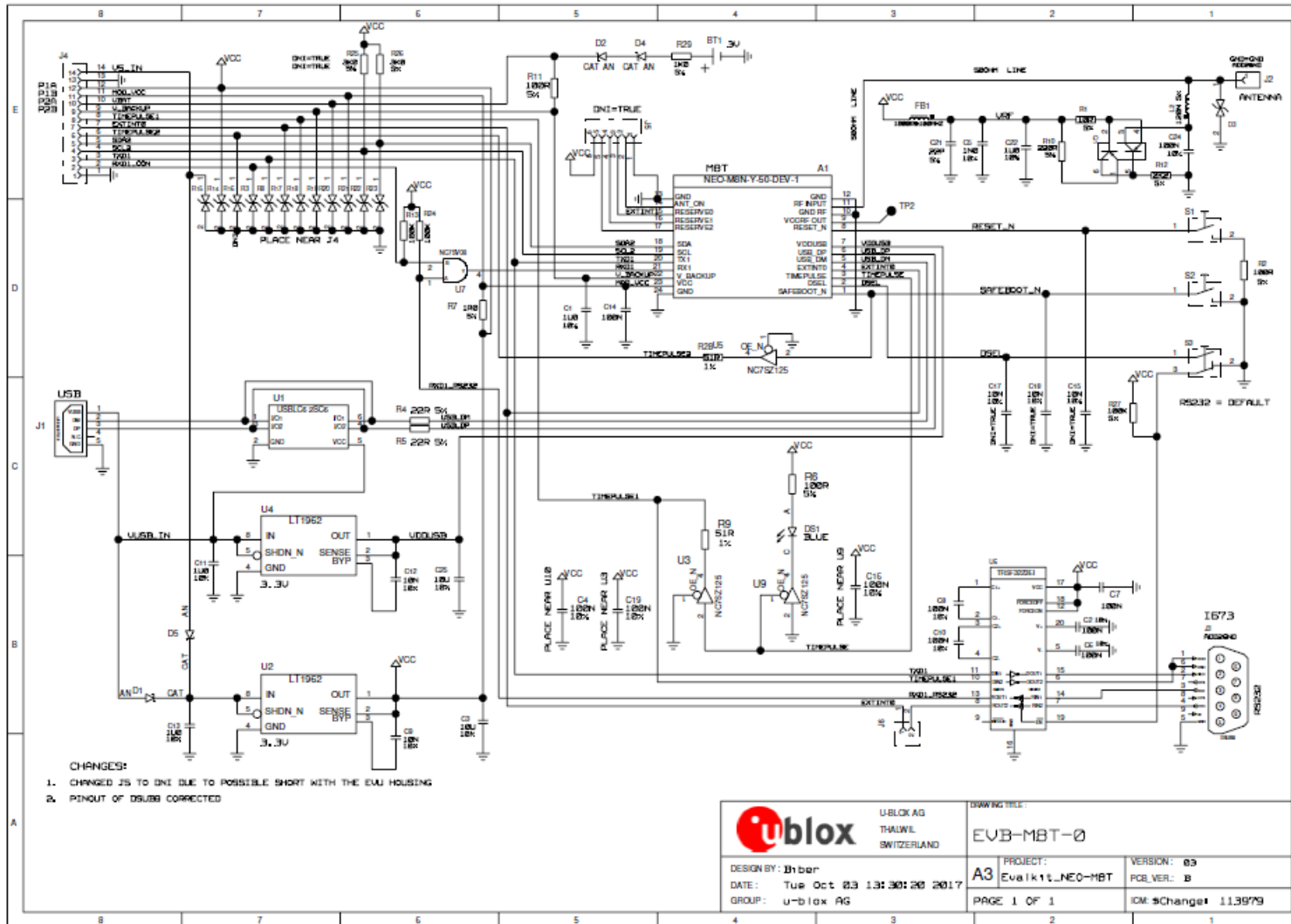


Figure 7: Schematic EVK-M8T: DNI=TRUE in the schematic means: Component not installed



# 10 Battery replacement

To replace the battery (Number 5 in Figure 8), open the unit (unscrew four screws on the front panel).

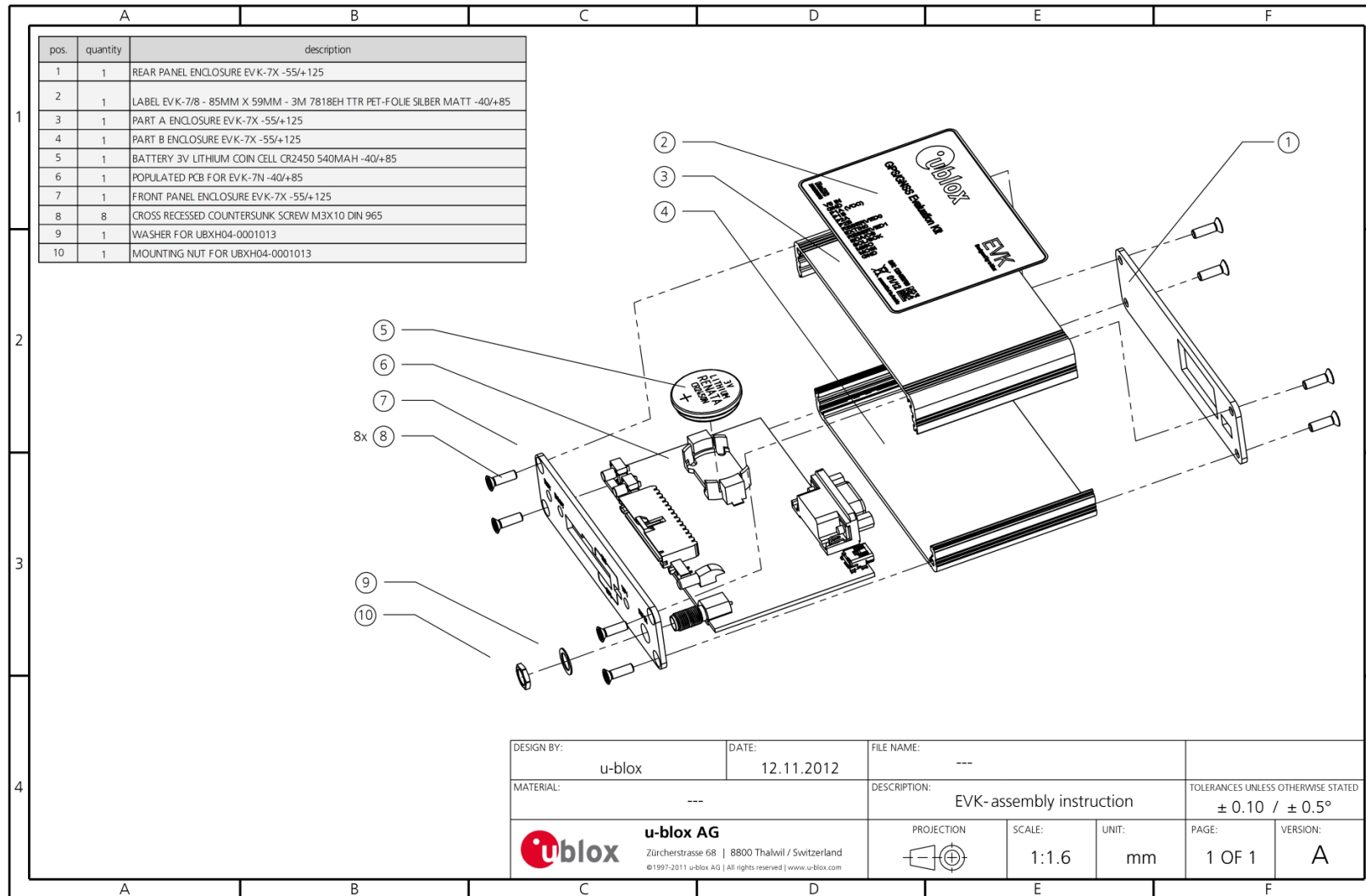


Figure 8: EVK-M8T battery location

# 11 Troubleshooting

## **My application (e.g. u-center) does not receive anything**

Check whether the blue LED on the evaluation unit is blinking. Also make sure that the USB cable is properly connected to the evaluation unit and the PC. By default, the evaluation unit outputs NMEA protocol on Serial Port 1 at 9600 Bd, or on the USB.

## **My application (e.g. u-center) does not receive all messages**


When using UART, make sure the baud rate is sufficient. If the baud rate is insufficient, GNSS receivers based on u-blox M8 GNSS technology will skip excessive messages. Some serial port cards/adapters (i.e. USB to RS232 converter) frequently generate errors. If a communication error occurs while u-center receives a message, the message will be discarded.

## **My application (e.g. u-center) loses the connection to the GNSS receiver**

u-blox M8 positioning technology and u-center both have an autobauding feature. If frequent communication errors occur (e.g. due to problems with the serial port), the connection may be lost. This happens because u-center and the GNSS receiver both autonomously try to adjust the baud rate. Do not enable the u-center autobauding if the GNSS receiver has the autobauding flag enabled.

## **The COM port does not send any messages**

Be sure that the slide switch at the front panel is set to I2C and not SPI. In SPI Mode the RS232 pins on the DB9 connector are switched off and the RxD and TxD output at the front panel are used for SPI (MISO, MOSI).

 NOTE: After changing the slide switch, always reset the EVK; if not, the change will not take place.

## **Some COM ports are not shown in the port list of my application (e.g. u-center)**

Only the COM ports that are available on your computer will show up in the COM port drop down list. If a COM Port is gray, another application running on this computer is using it.

## **The position is off by a few dozen meters**

u-blox M8 GNSS technology starts up with the WGS84 standard GNSS datum. If your application expects a different datum, you'll most likely find the positions to be off by a few dozen meters. Don't forget to check the calibration of u-center map files.

## **The position is off by hundreds of meters**

Position drift may also occur when almanac navigation is enabled. The satellite orbit information retrieved from an almanac is much less accurate than the information retrieved from the ephemeris. With an almanac only solution, the position will only have an accuracy of a few kilometers but it may start up faster or still navigate in areas with obscured visibility when the ephemeris from one or several satellites have not yet been received. The almanac information is NOT used for calculating a position, if valid ephemeris information is present, regardless of the setting of this flag.

In NMEA protocol, position solutions with high deviation (e.g. due to enabling almanac navigation) can be filtered with the Position Accuracy Mask. UBX protocol does not directly support this since it provides a position accuracy estimation, which allows the user to filter the position according to his requirements. However, the 'Position within Limits' flag of the UBX-NAV-STATUS message indicates whether the configured thresholds (i.e. P Accuracy Mask and PDOP) are exceeded.

## **TTFB times at startup are much longer than specified**

At startup (after the first position fix), the GNSS receiver performs an RTC calibration to have an accurate internal time source. A calibrated RTC is required to achieve minimal startup time.

Before shutting down the receiver externally, check the status in MON-HW in field 'Real Time Clock Status'. Do not shut down the receiver if the RTC is not calibrated.

### The EVK-M8T does not meet the TTFF specification

Make sure the antenna has a good sky view. An obstructed view leads to prolonged startup times. In a well-designed system, the average of the C/No ratio of high elevation satellites should be in the range of 40 dBHz to about 50 dBHz. With a standard off-the-shelf active antenna, 47 dBHz should easily be achieved. Low C/No values lead to a prolonged startup time.

### The EVK-M8T does not preserve the configuration in case of reset

u-blox M8 GNSS technology uses a slightly different concept than most other GNSS receivers do. Settings are initially stored to volatile memory. In order to save them permanently, sending a second command is required. This allows testing the new settings and reverting to the old settings by resetting the receiver if the new settings aren't good. This provides safety, as it is no longer possible to accidentally program a bad configuration (e.g. disabling the main communication port).

### The EVK-M8T does not work properly when connected with a GNSS simulator

When using an EVK together with a GNSS simulator, please pay attention to proper handling of the EVK. A GNSS receiver is designed for real-life use, i.e. time is always moving forward. By using a GNSS simulator, the user can change scenarios, which enables jumping backwards in time. This can have serious side effects on the performance of GNSS receivers.

The solution is to configure the GPS week rollover to 1200 (as indicated in Figure 9), which corresponds to Jan 2003. Then, issue the Cold Start command before every simulator test to avoid receiver confusion due to the time jumps.

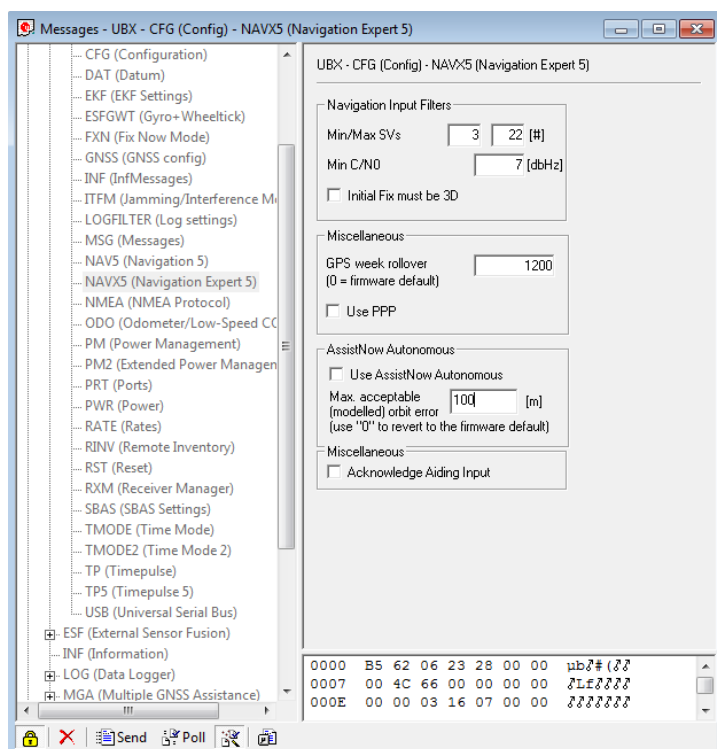


Figure 9: Configuration instruction for using the EVK with a GNSS simulator

### Power Save Mode and USB

For communication in Power Save Mode, use the RS232.

### The EVK-M8T receives GPS and GLONASS


Use u-center, version 7.02 or newer (EVK-M8). Message UBX-CFG-GNSS allows switching on and off the supported GNSS.

## 12 Common evaluation pitfalls

- A parameter may have the same name but a different definition. GNSS receivers may have a similar size, price and power consumption, but can still have different functionalities (e.g. no support for passive antennas, different temperature range). Also, the definitions of hot, warm, and cold start times may differ between suppliers.
- Verify design-critical parameters; do not base a decision on unconfirmed numbers from datasheets.
- Try to use identical or at least similar settings when comparing the GNSS performance of different receivers.
- Data that has not been recorded at the same time and the same place should not be compared. The satellite constellation, the number of visible satellites, and the sky view might have been different.
- Do not compare momentary measurements. GNSS is a non-deterministic system. The satellite constellation changes constantly. Atmospheric effects (i.e. dawn and dusk) have an impact on signal travel time. The position of the GNSS receiver is typically not the same between two tests. Comparative tests should therefore be conducted in parallel by using one antenna and a signal splitter; statistical tests shall be run for 24 hours.
- Monitor the carrier-to-noise ratio. The average C/No ratio of the high elevation satellites should be between 40 dBHz and about 50 dBHz. A low C/No ratio will result in a prolonged TTFF and more position drift.
- When comparing receivers side by side, make sure that all receivers have the same signal levels. The best way to achieve this is by using a signal splitter. Comparing results measured with different antenna types (with different sensitivity) will lead to incorrect conclusions.
- Try to feed the same signal to all receivers in parallel (i.e. through a splitter); the receivers won't have the same sky view otherwise. Even small differences can have an impact on the accuracy. One additional satellite can lead to a lower DOP and less position drift.
- When doing reacquisition tests, cover the antenna in order to block the sky view. Do not unplug the antenna since the u-blox M8 positioning technology continuously performs a noise calibration on idle channels.

## Related documents

- [1] NEO/LEA-M8T (FW3) Data Sheet, Doc. No UBX-15025193
- [2] NEO-M8 (FW3) Hardware Integration Manual, Doc. No UBX-15029985
- [3] LEA-M8S/M8T (FW3) Hardware Integration Manual, Doc. No UBX-15030060
- [4] u-blox 8 / u-blox M8 Receiver Description including Protocol Specification, Doc. No UBX-13003221 (Public Release)
- [5] u-center – User Guide, Docu. No UBX-13005250
- [6] Information technology equipment – Safety Standard IEC 60950-1 <https://webstore.iec.ch/publication/4024>

 For regular updates to u-blox documentation and to receive product change notifications, register on our homepage ([www.u-blox.com](http://www.u-blox.com)).

## Revision history

Revision	Date	Name	Comments
R01	07-Nov-2014	amil/alnu	Advance Information
R02	07-Jan-2015	julu	Early Production Information
R03	20-Apr-2015	amil	PCN FW TIMRAW 1.02
R04	23-Mar-2016	ffel	PCN FW 3.01 TIM 1.10, updated section 4.3.10 (GNSS Configuration), section 6 (Testing Power Save Mode) and Related documents.
R05	20-May-2018	olep	Added information on RED DoC in European Union regulatory compliance (page 2), Added section 2.1 (Safety Precautions). Removed extra backup battery from EVK content (section 1.2) and updated section 4.3.9 accordingly. Changed product type number to EVK-M8T-0-01 (PCB revision B, fixed TP1 availability in D-SUB connector), Table 4, Figure 6 and Figure 7 updated.

# Contact

For complete contact information, visit us at [www.u-blox.com](http://www.u-blox.com).

## u-blox Offices

### North, Central and South America

#### u-blox America, Inc.

Phone: +1 703 483 3180  
E-mail: [info\\_us@u-blox.com](mailto:info_us@u-blox.com)

#### Regional Office West Coast:

Phone: +1 408 573 3640  
E-mail: [info\\_us@u-blox.com](mailto:info_us@u-blox.com)

#### Technical Support:

Phone: +1 703 483 3185  
E-mail: [support@u-blox.com](mailto:support@u-blox.com)

### Headquarters

#### Europe, Middle East, Africa

#### u-blox AG

Phone: +41 44 722 74 44  
E-mail: [info@u-blox.com](mailto:info@u-blox.com)  
Support: [support@u-blox.com](mailto:support@u-blox.com)

### Asia, Australia, Pacific

#### u-blox Singapore Pte. Ltd.

Phone: +65 6734 3811  
E-mail: [info\\_ap@u-blox.com](mailto:info_ap@u-blox.com)  
Support: [support\\_ap@u-blox.com](mailto:support_ap@u-blox.com)

#### Regional Office Australia:

Phone: +61 2 8448 2016  
E-mail: [info\\_anz@u-blox.com](mailto:info_anz@u-blox.com)  
Support: [support\\_ap@u-blox.com](mailto:support_ap@u-blox.com)

#### Regional Office China (Beijing):

Phone: +86 10 68 133 545  
E-mail: [info\\_cn@u-blox.com](mailto:info_cn@u-blox.com)  
Support: [support\\_cn@u-blox.com](mailto:support_cn@u-blox.com)

#### Regional Office China (Chongqing):

Phone: +86 23 6815 1588  
E-mail: [info\\_cn@u-blox.com](mailto:info_cn@u-blox.com)  
Support: [support\\_cn@u-blox.com](mailto:support_cn@u-blox.com)

#### Regional Office China (Shanghai):

Phone: +86 21 6090 4832  
E-mail: [info\\_cn@u-blox.com](mailto:info_cn@u-blox.com)  
Support: [support\\_cn@u-blox.com](mailto:support_cn@u-blox.com)

#### Regional Office China (Shenzhen):

Phone: +86 755 8627 1083  
E-mail: [info\\_cn@u-blox.com](mailto:info_cn@u-blox.com)  
Support: [support\\_cn@u-blox.com](mailto:support_cn@u-blox.com)

#### Regional Office India:

Phone: +91 80 405 092 00  
E-mail: [info\\_in@u-blox.com](mailto:info_in@u-blox.com)  
Support: [support\\_in@u-blox.com](mailto:support_in@u-blox.com)

#### Regional Office Japan (Osaka):

Phone: +81 6 6941 3660  
E-mail: [info\\_jp@u-blox.com](mailto:info_jp@u-blox.com)  
Support: [support\\_jp@u-blox.com](mailto:support_jp@u-blox.com)

#### Regional Office Japan (Tokyo):

Phone: +81 3 5775 3850  
E-mail: [info\\_jp@u-blox.com](mailto:info_jp@u-blox.com)  
Support: [support\\_jp@u-blox.com](mailto:support_jp@u-blox.com)

#### Regional Office Korea:

Phone: +82 2 542 0861  
E-mail: [info\\_kr@u-blox.com](mailto:info_kr@u-blox.com)  
Support: [support\\_kr@u-blox.com](mailto:support_kr@u-blox.com)

#### Regional Office Taiwan:

Phone: +886 2 2657 1090  
E-mail: [info\\_tw@u-blox.com](mailto:info_tw@u-blox.com)  
Support: [support\\_tw@u-blox.com](mailto:support_tw@u-blox.com)