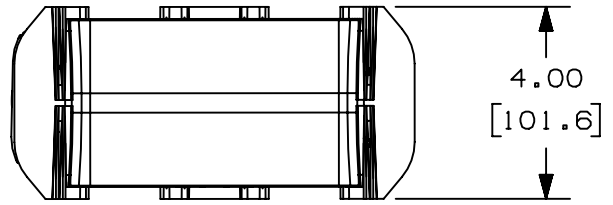


2

1

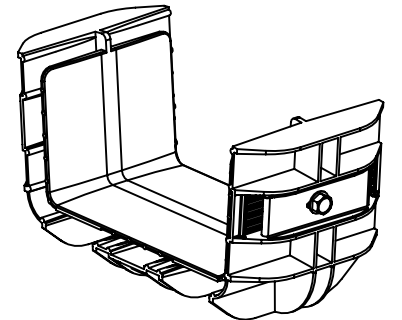
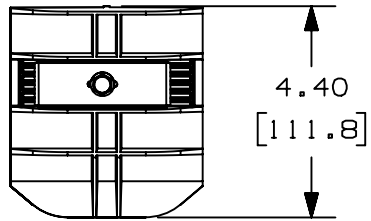
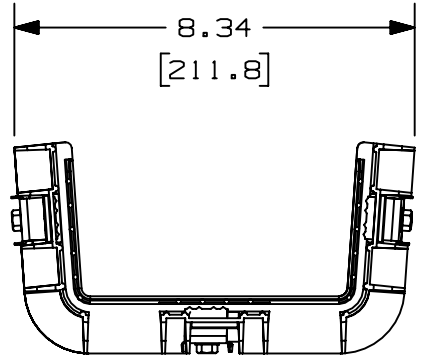
THIS COPY IS PROVIDED ON A RESTRICTED BASIS AND IS NOT TO BE USED IN ANY WAY DETRIMENTAL TO THE INTERESTS OF PANDUIT CORP.

| PANDUIT PART NUMBER | WEIGHT | MATERIAL |
|---------------------|----------------------------|----------|
| FRBC6X4** | 0.8 LB/EACH (363g/EACH) | ABS |
| FRBC6X4L** | 0.8 LB/EACH (363g/EACH) | PC/ABS |



NOTES:

1. SEE CURRENT CATALOG FOR ADDITIONAL PART SUFFIXES TO INDICATE COLOR AND/OR PACKAGE QUANTITY.
2. DIMENSIONS IN PARENTHESES ARE IN METRIC.



| REV | DATE | BY | CHK | APR | DESCRIPTION | ECN |
|-----|----------|-----|------|-----|---|-------------|
| 06A | 1-16-20 | MES | DWR | DWR | M. ADDED FRBC6X4L** PART NUMBER | V09002DZ/01 |
| 5 | 05-09-13 | JBN | RTFI | RN | L. UPDATED DRAWING BORDER & TITLE BLOCK | 37185-80 |

| | | |
|---|------------|---|
| TITLE FIBERRUNNER 6X4 QUIKLOCK COUPLER FRBC6X4**, FRBC6X4L** | | PANDUIT |
| CUSTOMER DRAWING | | |
| ITEM REVISION NAME D37185FH/03 | | MATERIAL: SEE PART NUMBER TABLE ABOVE |
| DATASET FILE NAME D37185FH_DC/06A | | |
| UNLESS OTHERWISE SPECIFIED, DIMENSIONAL TOLERANCES ARE: IN [mm] .X ± .03 [.8] .XXX ± .XX ± .03 [.8] ANGLES ± | | |
| DRAWN BY REWE | | DRAWING NUMBER: 37185-80 |
| DATE 05-10-00 | CHK WAB | SCALE NONE |
| SHT 1 OF 1 | | SIZE A |

2

1

D10100DA/15