

# XMC4300

Microcontroller Series  
for Industrial Applications

XMC4000 Family

ARM<sup>®</sup> Cortex<sup>®</sup>-M4  
32-bit processor core

Data Sheet

V1.1 2018-09

**Edition 2018-09**

**Published by  
Infineon Technologies AG  
81726 Munich, Germany**

**© 2018 Infineon Technologies AG  
All Rights Reserved.**

#### **Legal Disclaimer**

The information given in this document shall in no event be regarded as a guarantee of conditions or characteristics. With respect to any examples or hints given herein, any typical values stated herein and/or any information regarding the application of the device, Infineon Technologies hereby disclaims any and all warranties and liabilities of any kind, including without limitation, warranties of non-infringement of intellectual property rights of any third party.

#### **Information**

For further information on technology, delivery terms and conditions and prices, please contact the nearest Infineon Technologies Office ([www.infineon.com](http://www.infineon.com)).

#### **Warnings**

Due to technical requirements, components may contain dangerous substances. For information on the types in question, please contact the nearest Infineon Technologies Office.

Infineon Technologies components may be used in life-support devices or systems only with the express written approval of Infineon Technologies, if a failure of such components can reasonably be expected to cause the failure of that life-support device or system or to affect the safety or effectiveness of that device or system. Life support devices or systems are intended to be implanted in the human body or to support and/or maintain and sustain and/or protect human life. If they fail, it is reasonable to assume that the health of the user or other persons may be endangered.

# XMC4300

Microcontroller Series  
for Industrial Applications

XMC4000 Family

ARM<sup>®</sup> Cortex<sup>®</sup>-M4  
32-bit processor core

Data Sheet

V1.1 2018-09

---

## XMC4300 Data Sheet

---

### Revision History: V1.1 2018-09

Previous Versions:

V1.0 2016-02

Page	Subjects
	Initial version.
<b>42</b>	Added RMS Noise parameter in VADC Parameters table.

### Trademarks

C166™, TriCore™, XMC™ and DAVE™ are trademarks of Infineon Technologies AG.  
ARM®, ARM Powered®, Cortex®, Thumb® and AMBA® are registered trademarks of ARM, Limited.

CoreSight™, ETM™, Embedded Trace Macrocell™ and Embedded Trace Buffer™ are trademarks of ARM, Limited.

Synopsys™ is a trademark of Synopsys, Inc.

### We Listen to Your Comments

Is there any information in this document that you feel is wrong, unclear or missing?  
Your feedback will help us to continuously improve the quality of this document.  
Please send your proposal (including a reference to this document) to:

[mcdocu.comments@infineon.com](mailto:mcdocu.comments@infineon.com)



## Table of Contents

<b>1</b>	<b>Summary of Features</b> .....	<b>8</b>
1.1	Ordering Information .....	10
1.2	Device Types .....	10
1.3	Device Type Features .....	10
1.4	Definition of Feature Variants .....	11
1.5	Identification Registers .....	12
<b>2</b>	<b>General Device Information</b> .....	<b>13</b>
2.1	Logic Symbols .....	13
2.2	Pin Configuration and Definition .....	14
2.2.1	Package Pin Summary .....	15
2.2.2	Port I/O Functions .....	20
2.2.2.1	Port I/O Function Table .....	21
2.3	Power Connection Scheme .....	25
<b>3</b>	<b>Electrical Parameters</b> .....	<b>27</b>
3.1	General Parameters .....	27
3.1.1	Parameter Interpretation .....	27
3.1.2	Absolute Maximum Ratings .....	28
3.1.3	Pin Reliability in Overload .....	29
3.1.4	Pad Driver and Pad Classes Summary .....	32
3.1.5	Operating Conditions .....	33
3.2	DC Parameters .....	34
3.2.1	Input/Output Pins .....	34
3.2.2	Analog to Digital Converters (VADC) .....	41
3.2.3	Digital to Analog Converters (DAC) .....	45
3.2.4	Out-of-Range Comparator (ORC) .....	49
3.2.5	Die Temperature Sensor .....	51
3.2.6	USB OTG Interface DC Characteristics .....	52
3.2.7	Oscillator Pins .....	54
3.2.8	Power Supply Current .....	58
3.2.9	Flash Memory Parameters .....	62
3.3	AC Parameters .....	64
3.3.1	Testing Waveforms .....	64
3.3.2	Power-Up and Supply Monitoring .....	65
3.3.3	Power Sequencing .....	66
3.3.4	Phase Locked Loop (PLL) Characteristics .....	68
3.3.5	Internal Clock Source Characteristics .....	69
3.3.6	JTAG Interface Timing .....	71
3.3.7	Serial Wire Debug Port (SW-DP) Timing .....	73
3.3.8	Peripheral Timing .....	74
3.3.8.1	Synchronous Serial Interface (USIC SSC) Timing .....	74

**Table of Contents**

3.3.8.2	Inter-IC (IIC) Interface Timing . . . . .	77
3.3.8.3	Inter-IC Sound (IIS) Interface Timing . . . . .	79
3.3.8.4	SDMMC Interface Timing . . . . .	81
3.3.9	USB Interface Characteristics . . . . .	90
3.3.10	Ethernet Interface (ETH) Characteristics . . . . .	91
3.3.10.1	ETH Measurement Reference Points . . . . .	91
3.3.10.2	ETH Management Signal Parameters (ETH_MDC, ETH_MDIO) . . . . .	92
3.3.10.3	ETH RMII Parameters . . . . .	93
3.3.11	EtherCAT (ECAT) Characteristics . . . . .	94
3.3.11.1	ECAT Measurement Reference Points . . . . .	94
3.3.11.2	ETH Management Signal Parameters (MCLK, MDIO) . . . . .	94
3.3.11.3	MII Timing TX Characteristics . . . . .	95
3.3.11.4	MII Timing RX Characteristics . . . . .	97
3.3.11.5	Sync/Latch Timings . . . . .	98
<b>4</b>	<b>Package and Reliability . . . . .</b>	<b>99</b>
4.1	Package Parameters . . . . .	99
4.1.1	Thermal Considerations . . . . .	99
4.2	Package Outlines . . . . .	101
<b>5</b>	<b>Quality Declarations . . . . .</b>	<b>102</b>

## **About this Document**

This Data Sheet is addressed to embedded hardware and software developers. It provides the reader with detailed descriptions about the ordering designations, available features, electrical and physical characteristics of the XMC4300 series devices.

The document describes the characteristics of a superset of the XMC4300 series devices. For simplicity, the various device types are referred to by the collective term XMC4300 throughout this manual.

### **XMC4000 Family User Documentation**

The set of user documentation includes:

- **Reference Manual**
  - describes the functionality of the superset of devices.
- **Data Sheets**
  - list the complete ordering designations, available features and electrical characteristics of derivative devices.
- **Errata Sheets**
  - list deviations from the specifications given in the related Reference Manual or Data Sheets. Errata Sheets are provided for the superset of devices.

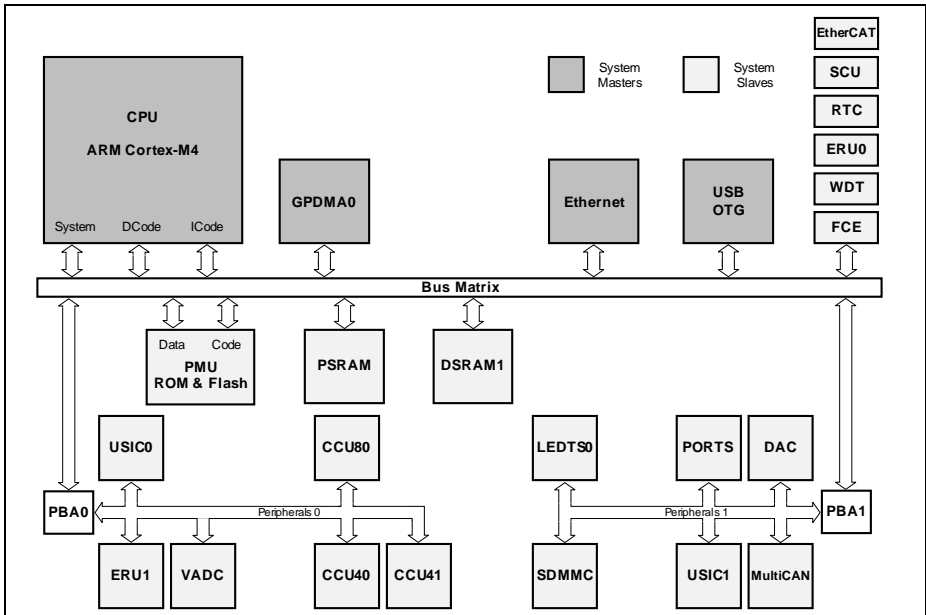
***Attention: Please consult all parts of the documentation set to attain consolidated knowledge about your device.***

Application related guidance is provided by **Users Guides** and **Application Notes**.

Please refer to <http://www.infineon.com/xmc4000> to get access to the latest versions of those documents.

## 1 Summary of Features

The XMC4300 devices are members of the XMC4000 Family of microcontrollers based on the ARM Cortex-M4 processor core. The XMC4000 is a family of high performance and energy efficient microcontrollers optimized for Industrial Connectivity, Industrial Control, Power Conversion, Sense & Control.



**Figure 1 System Block Diagram**

### CPU Subsystem

- CPU Core
  - High Performance 32-bit ARM Cortex-M4 CPU
  - 16-bit and 32-bit Thumb2 instruction set
  - DSP/MAC instructions
  - System timer (SysTick) for Operating System support
- Floating Point Unit
- Memory Protection Unit
- Nested Vectored Interrupt Controller
- General Purpose DMA with up-to 8 channels
- Event Request Unit (ERU) for programmable processing of external and internal service requests
- Flexible CRC Engine (FCE) for multiple bit error detection



**On-Chip Memories**

- 16 KB on-chip boot ROM
- 64 KB on-chip high-speed program memory
- 64 KB on-chip high speed data memory
- 256 KB on-chip Flash Memory with 8 KB instruction cache

**Communication Peripherals**

- Ethernet MAC module capable of 10/100 Mbit/s transfer rates
- EtherCATslave interface (ECAT) capable of 100 Mbit/s transfer rates with 2 MII ports, 8 Fieldbus Memory Management Units (FMMU), 8 Sync Manager, 64 bit distributed clocks
- Universal Serial Bus, USB 2.0 host, Full-Speed OTG, with integrated PHY
- Controller Area Network interface (MultiCAN), Full-CAN/Basic-CAN with 2 nodes, 64 message objects (MO), data rate up to 1 MBaud
- Four Universal Serial Interface Channels (USIC), providing 4 serial channels, usable as UART, double-SPI, quad-SPI, IIC, IIS and LIN interfaces
- LED and Touch-Sense Controller (LEDTS) for Human-Machine interface
- SD and Multi-Media Card interface (SDMMC) for data storage memory cards

**Analog Frontend Peripherals**

- Two Analog-Digital Converters (VADC) of 12-bit resolution, 8 channels each, with input out-of-range comparators
- Digital-Analog Converter (DAC) with two channels of 12-bit resolution

**Industrial Control Peripherals**

- One Capture/Compare Units 8 (CCU8) for motor control and power conversion
- Two Capture/Compare Units 4 (CCU4) for use as general purpose timers
- Window Watchdog Timer (WDT) for safety sensitive applications
- Die Temperature Sensor (DTS)
- Real Time Clock module with alarm support
- System Control Unit (SCU) for system configuration and control

**Input/Output Lines**

- Programmable port driver control module (PORTS)
- Individual bit addressability
- Tri-stated in input mode
- Push/pull or open drain output mode
- Boundary scan test support over JTAG interface

## On-Chip Debug Support

- Full support for debug features: 8 breakpoints, CoreSight, trace
- Various interfaces: ARM-JTAG, SWD, single wire trace

## 1.1 Ordering Information

The ordering code for an Infineon microcontroller provides an exact reference to a specific product. The code “XMC4<DDD>-<Z><PPP><T><FFFF>” identifies:

- <DDD> the derivatives function set
- <Z> the package variant
  - E: LFBGA
  - F: LQFP
  - Q: VQFN
- <PPP> package pin count
- <T> the temperature range:
  - F: -40°C to 85°C
  - K: -40°C to 125°C
- <FFFF> the Flash memory size.

For ordering codes for the XMC4300 please contact your sales representative or local distributor.

This document describes several derivatives of the XMC4300 series, some descriptions may not apply to a specific product. Please see [Table 1](#).

For simplicity the term **XMC4300** is used for all derivatives throughout this document.

## 1.2 Device Types

These device types are available and can be ordered through Infineon’s direct and/or distribution channels.

**Table 1**      **Synopsis of XMC4300 Device Types**

Derivative <sup>1)</sup>	Package	Flash Kbytes	SRAM Kbytes
XMC4300-F100x256	PG-LQFP-100	256	128

1) x is a placeholder for the supported temperature range.

## 1.3 Device Type Features

The following table lists the available features per device type.

**Table 2 Features of XMC4300 Device Types**

Derivative <sup>1)</sup>	LED TS Intf.	SD MMC Intf.	ETH Intf.	ECAT Slave Intf.	USB Intf.	USIC Chan.	MultiCAN Nodes, MO
XMC4300-F100x256	1	1	RMII	2 x MII	1	2 x 2	N0, N1 MO[0..63]

1) x is a placeholder for the supported temperature range.

**Table 3 Features of XMC4300 Device Types**

Derivative <sup>1)</sup>	ADC Chan.	DAC Chan.	CCU4 Slice	CCU8 Slice
XMC4300-F100x256	16	2	2 x 4	1 x 4

1) x is a placeholder for the supported temperature range.

## 1.4 Definition of Feature Variants

The XMC4300 types are offered with several memory sizes and number of available VADC channels. [Table 4](#) describes the location of the available Flash memory, [Table 5](#) describes the location of the available SRAMs, [Table 6](#) the available VADC channels.

**Table 4 Flash Memory Ranges**

Total Flash Size	Cached Range	Uncached Range
256 Kbytes	0800 0000 <sub>H</sub> – 0803 FFFF <sub>H</sub>	0C00 0000 <sub>H</sub> – 0C03 FFFF <sub>H</sub>

**Table 5 SRAM Memory Ranges**

Total SRAM Size	Program SRAM	System Data SRAM
128 Kbytes	1FFF 0000 <sub>H</sub> – 1FFF FFFF <sub>H</sub>	2000 0000 <sub>H</sub> – 2000 FFFF <sub>H</sub>

**Table 6 ADC Channels<sup>1)</sup>**

Package	VADC G0	VADC G1
PG-LQFP-100	CH0..CH7	CH0..CH7

1) Some pins in a package may be connected to more than one channel. For the detailed mapping see the Port I/O Function table.

## 1.5 Identification Registers

The identification registers allow software to identify the marking.

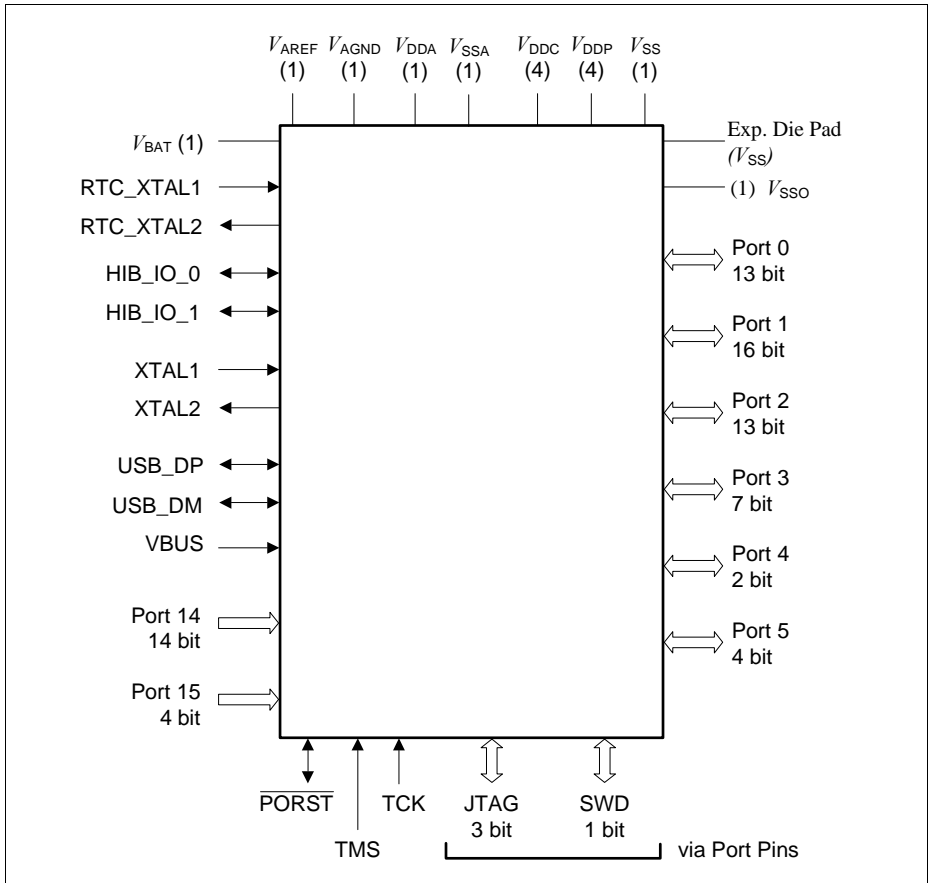
**Table 7 XMC4300 Identification Registers**

<b>Register Name</b>	<b>Value</b>	<b>Marking</b>
SCU_IDCHIP	0004 3001 <sub>H</sub>	AA
JTAG IDCODE	101D F083 <sub>H</sub>	AA

## 2 General Device Information

This section summarizes the logic symbols and package pin configurations with a detailed list of the functional I/O mapping.

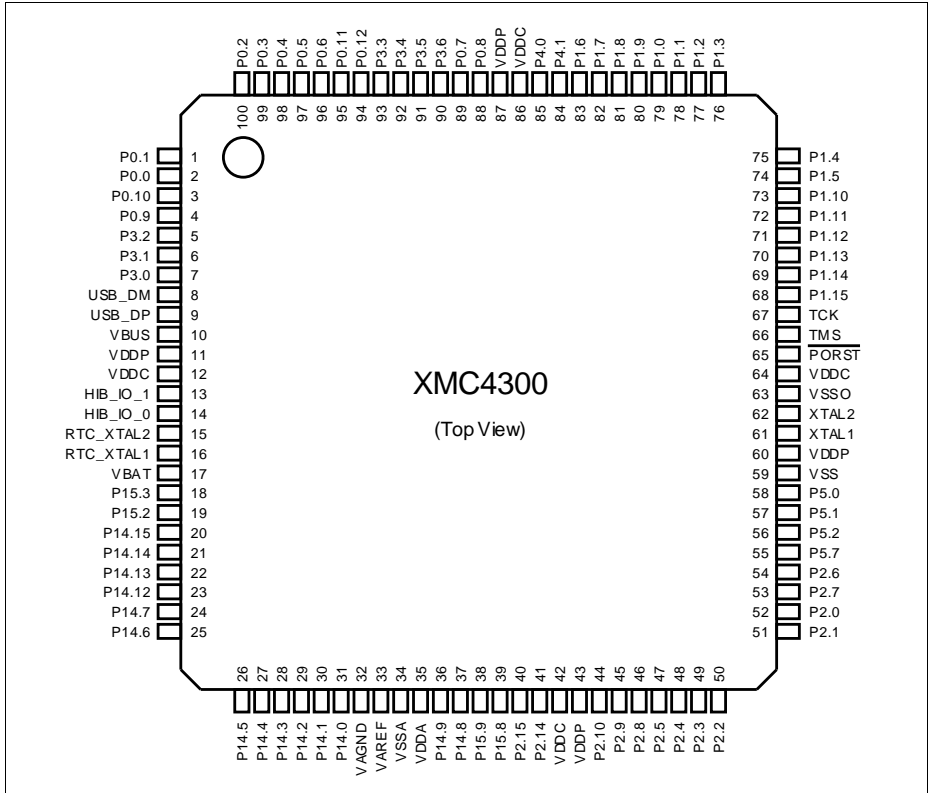
### 2.1 Logic Symbols



**Figure 2 XMC4300 Logic Symbol PG-LQFP-100**

## 2.2 Pin Configuration and Definition

The following figures summarize all pins, showing their locations on the four sides of the different packages.



**Figure 3 XMC4300 PG-LQFP-100 Pin Configuration (top view)**

### 2.2.1 Package Pin Summary

The following general scheme is used to describe each pin:

**Table 8 Package Pin Mapping Description**

Function	Package A	Package B	...	Pad Type	Notes
Name	N	Ax	...	A2	

The table is sorted by the “Function” column, starting with the regular Port pins (Px.y), followed by the dedicated pins (i.e. PORST) and supply pins.

The following columns, titled with the supported package variants, lists the package pin number to which the respective function is mapped in that package.

The “Pad Type” indicates the employed pad type (A1, A1+, A2, special=special pad, In=input pad, AN/DIG\_IN=analog and digital input, Power=power supply). Details about the pad properties are defined in the Electrical Parameters.

In the “Notes”, special information to the respective pin/function is given, i.e. deviations from the default configuration after reset. Per default the regular Port pins are configured as direct input with no internal pull device active.

**Table 9 Package Pin Mapping**

Function	LQFP-100	Pad Type	Notes
P0.0	2	A1+	
P0.1	1	A1+	
P0.2	100	A2	
P0.3	99	A2	
P0.4	98	A2	
P0.5	97	A2	
P0.6	96	A2	
P0.7	89	A2	After a system reset, via HWSEL this pin selects the DB.TDI function.
P0.8	88	A2	After a system reset, via HWSEL this pin selects the DB.TRST function, with a weak pull-down active.
P0.9	4	A2	
P0.10	3	A1+	
P0.11	95	A1+	
P0.12	94	A1+	

**Table 9 Package Pin Mapping (cont'd)**

Function	LQFP-100	Pad Type	Notes
P1.0	79	A1+	
P1.1	78	A1+	
P1.2	77	A2	
P1.3	76	A2	
P1.4	75	A1+	
P1.5	74	A1+	
P1.6	83	A2	
P1.7	82	A2	
P1.8	81	A2	
P1.9	80	A2	
P1.10	73	A1+	
P1.11	72	A1+	
P1.12	71	A2	
P1.13	70	A2	
P1.14	69	A2	
P1.15	68	A2	
P2.0	52	A2	
P2.1	51	A2	After a system reset, via HWSEL this pin selects the DB.TDO function.
P2.2	50	A2	
P2.3	49	A2	
P2.4	48	A2	
P2.5	47	A2	
P2.6	54	A1+	
P2.7	53	A1+	
P2.8	46	A2	
P2.9	45	A2	
P2.10	44	A2	
P2.14	41	A2	
P2.15	40	A2	
P3.0	7	A2	
P3.1	6	A2	



**Table 9 Package Pin Mapping (cont'd)**

Function	LQFP-100	Pad Type	Notes
P3.2	5	A2	
P3.3	93	A1+	
P3.4	92	A1+	
P3.5	91	A2	
P3.6	90	A2	
P4.0	85	A2	
P4.1	84	A2	
P5.0	58	A1+	
P5.1	57	A1+	
P5.2	56	A1+	
P5.7	55	A1+	
P14.0	31	AN/DIG_IN	
P14.1	30	AN/DIG_IN	
P14.2	29	AN/DIG_IN	
P14.3	28	AN/DIG_IN	
P14.4	27	AN/DIG_IN	
P14.5	26	AN/DIG_IN	
P14.6	25	AN/DIG_IN	
P14.7	24	AN/DIG_IN	
P14.8	37	AN/DAC/DIG_IN	
P14.9	36	AN/DAC/DIG_IN	
P14.12	23	AN/DIG_IN	
P14.13	22	AN/DIG_IN	
P14.14	21	AN/DIG_IN	
P14.15	20	AN/DIG_IN	
P15.2	19	AN/DIG_IN	
P15.3	18	AN/DIG_IN	
P15.8	39	AN/DIG_IN	
P15.9	38	AN/DIG_IN	

**General Device Information**
**Table 9 Package Pin Mapping (cont'd)**

Function	LQFP-100	Pad Type	Notes
HIB_IO_0	14	A1 special	At the first power-up and with every reset of the hibernate domain this pin is configured as open-drain output and drives "0". As output the medium driver mode is active.
HIB_IO_1	13	A1 special	At the first power-up and with every reset of the hibernate domain this pin is configured as input with no pull device active. As output the medium driver mode is active.
USB_DP	9	special	
USB_DM	8	special	
TCK	67	A1	Weak pull-down active.
TMS	66	A1+	Weak pull-up active. As output the strong-soft driver mode is active.
$\overline{\text{PORST}}$	65	special	Weak pull-up permanently active, strong pull-down controlled by EVR.
XTAL1	61	clock_IN	
XTAL2	62	clock_O	
RTC_XTAL1	16	clock_IN	
RTC_XTAL2	15	clock_O	
VBAT	17	Power	When VDDP is supplied VBAT has to be supplied as well.
VBUS	10	special	
VAREF	33	AN_Ref	
VAGND	32	AN_Ref	
VDDA	35	AN_Power	
VSSA	34	AN_Power	
VDDC	12	Power	
VDDC	42	Power	
VDDC	64	Power	
VDDC	86	Power	
VDDP	11	Power	

**General Device Information**

**Table 9 Package Pin Mapping (cont'd)**

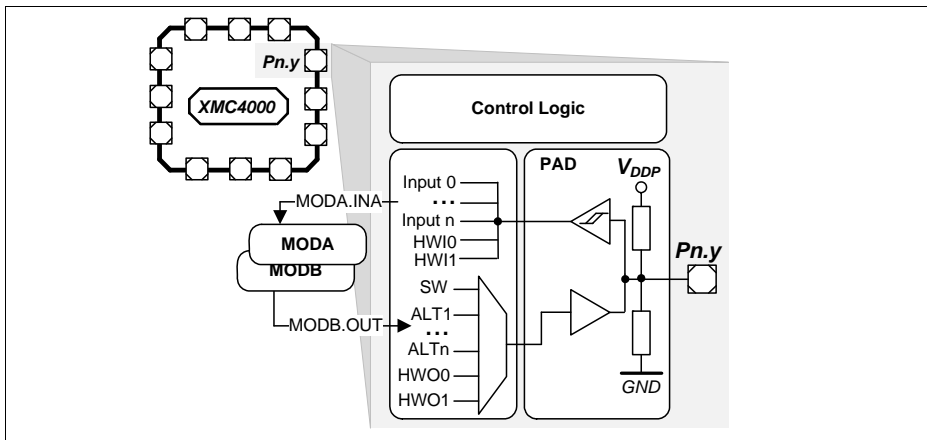
Function	LQFP-100	Pad Type	Notes
VDDP	43	Power	
VDDP	60	Power	
VDDP	87	Power	
VSS	59	Power	
VSSO	63	Power	
VSS	Exp. Pad	Power	<p><b>Exposed Die Pad</b></p> <p>The exposed die pad is connected internally to VSS. For proper operation, it is mandatory to connect the exposed pad directly to the common ground on the board. For thermal aspects, please refer to the Data Sheet. Board layout examples are given in an application note.</p>

## 2.2.2 Port I/O Functions

The following general scheme is used to describe each Port pin:

**Table 10 Port I/O Function Description**

Function	Outputs			Inputs		
	ALT1	ALn	HWO0	HWI0	Input	Input
P0.0		MODA.OUT	MODB.OUT	MODB.INA	MODC.INA	
Pn.y	MODA.OUT				MODA.INA	MODC.INB



**Figure 4 Simplified Port Structure**

Pn.y is the port pin name, defining the control and data bits/registers associated with it. As GPIO, the port is under software control. Its input value is read via Pn\_IN.y, Pn\_OUT defines the output value.

Up to four alternate output functions (ALT1/2/3/4) can be mapped to a single port pin, selected by Pn\_IOCR.PC. The output value is directly driven by the respective module, with the pin characteristics controlled by the port registers (within the limits of the connected pad).

The port pin input can be connected to multiple peripherals. Most peripherals have an input multiplexer to select between different possible input sources.

The input path is also active while the pin is configured as output. This allows to feedback an output to on-chip resources without wasting an additional external pin.

By Pn\_HWSEL it is possible to select between different hardware “masters” (HWO0/HWI0). The selected peripheral can take control of the pin(s). Hardware control overrules settings in the respective port pin registers.

## 2.2.2.1 Port I/O Function Table

**Table 11 Port I/O Functions**

Function	Output					Input								
	ALT1	ALT2	ALT3	ALT4	HWO0	HWI0	Input	Input	Input	Input	Input	Input	Input	Input
P0.0	ECAT0. PHY_RST	CAN. NO_TXD	CCU80. OUT21	LEDT50. COL2			U1C1. DX0D	ETH0. CLK_RMIB	ERU0. 0B0					ETH0. CLKRXB
P0.1	USB. DRIVEBUS	U1C1. DOU70	CCU80. OUT11	LEDT50. COL3				ETH0. CRS_DVB	ERU0. 0A0				ECAT0. P1_RX_CLKA	ETH0. RXDVB
P0.2	ECAT0. P1_TXD2	U1C1. SELO1	CCU80. OUT01		U1C0. DOU73	U1C0. HWIN3	ETH0. RXDOB		ERU0. 3B3					
P0.3	ECAT0. P1_TXD3		CCU80. OUT20		U1C0. DOU72	U1C0. HWIN2	ETH0. RXD1B			ERU1. 3B0				
P0.4	ETH0. TX_EN		CCU80. OUT10		U1C0. DOU71	U1C0. HWIN1		U1C0. DX0A	ERU0. 2B3				ECAT0. P1_RXD3A	
P0.5	ETH0. TXD0	U1C0. DOU70	CCU80. OUT00		U1C0. DOU70	U1C0. HWIN0		U1C0. DX0B		ERU1. 3A0			ECAT0. P1_RXD2A	
P0.6	ETH0. TXD1	U1C0. SELO0	CCU80. OUT30					U1C0. DX2A	ERU0. 3B2			CCU80. IN2B	ECAT0. P1_RXD1A	
P0.7	WWDT. SERVICE_OUT	U0C0. SELO0	ECAT0. LED_ERR			DB. TDI	U0C0. DX2B		ERU0. 2B1			CCU80. IN0A	CCU80. IN1A	CCU80. IN2A
P0.8	SCU. EXTCLK	U0C0. SCLKOUT	ECAT0. LED_RUN			DE. TRST	U0C0. DX1B		ERU0. 2A1			CCU80. IN1B		
P0.9		U1C1. SELO0	CCU80. OUT12	LEDT50. COL0	ETH0. MDO	ETH0. MDIA	U1C1. DX2A	USB. ID	ERU0. 1B0				ECAT0. P1_RX_DVA	
P0.10	ETH0. MDC	U1C1. SCLKOUT	CCU80. OUT02	LEDT50. COL1			U1C1. DX1A		ERU0. 1A0				ECAT0. P1_TX_CLKA	
P0.11	ECAT0. P1_LINK_ACT	U1C0. SCLKOUT	CCU80. OUT31		SDMMC. RST		ETH0. RXERB	U1C0. DX1A	ERU0. 3A2				ECAT0. P1_RXD0A	
P0.12		U1C1. SELO0	CCU40. OUT3		ECAT0. MDO	ECAT0. MDIA		U1C1. DX2B	ERU0. 2B2					
P1.0		U0C0. SELO0	CCU40. OUT3	ERU1. PDOU73			U0C0. DX2A		ERU0. 3B0			CCU40. IN3A		ECAT0. P0_TX_CLKA
P1.1		U0C0. SCLKOUT	CCU40. OUT2	ERU1. PDOU72		SDMMC. SDWC	U0C0. DX1A		ERU0. 3A0			CCU40. IN2A		ECAT0. P0_RX_CLKA
P1.2	ECAT0. P0_TXD3		CCU40. OUT1	ERU1. PDOU71	U0C0. DOU73	U0C0. HWIN3				ERU1. 2B0		CCU40. IN1A		
P1.3	ECAT0. P0_TX_ENA	U0C0. MCLKOUT	CCU40. OUT0	ERU1. PDOU70	U0C0. DOU72	U0C0. HWIN2				ERU1. 2A0		CCU40. IN0A		
P1.4	WWDT. SERVICE_OUT	CAN. NO_TXD	CCU80. OUT33		U0C0. DOU71	U0C0. HWIN1	U0C0. DX0B	CAN. N1_RXDD	ERU0. 2B0			CCU41. IN0C		ECAT0. P0_RXD0A
P1.5	CAN. N1_TXD	U0C0. DOU70	CCU80. OUT23		U0C0. DOU70	U0C0. HWIN0	U0C0. DX0A	CAN. N0_RXDA	ERU0. 2A0	ERU1. 0A0		CCU41. IN1C		ECAT0. P0_RXD1A
P1.6	ECAT0. P0_TXD0	U0C0. SCLKOUT			SDMMC. DATA1_OUT	SDMMC. DATA1_IN								

**Table 11 Port I/O Functions (cont'd)**

Function	Output					Input								
	ALT1	ALT2	ALT3	ALT4	HWO0	HWI0	Input	Input	Input	Input	Input	Input	Input	Input
P1.7	ECAT0. P0_TXD1	U0C0. DOU0		U1C1. SELO2	SDMMC. DATA2_OUT	SDMMC. DATA2_IN								
P1.8	ECAT0. P0_TXD2	U0C0. SELO1		U1C1. SCLKOUT	SDMMC. DATA4_OUT	SDMMC. DATA4_IN								
P1.9	U0C0. SCLKOUT			U1C1. DOU0	SDMMC. DATA5_OUT	SDMMC. DATA5_IN								ECAT0. P0_RX_DVA
P1.10	ETH0. MDC	U0C0. SCLKOUT		ECAT0. LED_ERR		SDMMC. SDCD					CCU41. IN2C			ECAT0. P0_RXD2A
P1.11	ECAT0. LED_STATE_R UN	U0C0. SELO0		ECAT0. LED_RUN	ETH0. MDO	ETH0. MDIC					CCU41. IN3C			ECAT0. P0_RXD3A
P1.12	ETH0. TX_EN	CAN. N1_TXD		ECAT0. P0_LINK_ACT	SDMMC. DATA6_OUT	SDMMC. DATA6_IN								
P1.13	ETH0. TXD0	U0C1. SELO3		ECAT0. PHY_CLK25	SDMMC. DATA7_OUT	SDMMC. DATA7_IN	CAN. N1_RXDC							
P1.14	ETH0. TXD1	U0C1. SELO2		ECAT0. SYNC0			U1C0. DX0E							
P1.15	SCU. EXTCLK			U1C0. DOU0							ERU1. 1A0			ECAT0. P0_LINKB
P2.0	CAN. N0_TXD			LEDS0. COL1	ETH0. MDO	ETH0. MDIB				ERU0. 0B3		CCU40. IN1C		
P2.1				LEDS0. COL0	DB.TDO/ TRACESWO		ETH0. CLK_RMIIA				ERU1. 0B0	CCU40. IN0C		ETH0. CLKRXA
P2.2	VADC. EMUX00		CCU41. OUT3	LEDS0. LINE0	LEDS0. EXTENDED0	LEDS0. TSIN0A	ETH0. RXD0A	U0C1. DX0A	ERU0. 1B2		CCU41. IN3A			
P2.3	VADC. EMUX01	U0C1. SELO0	CCU41. OUT2	LEDS0. LINE1	LEDS0. EXTENDED1	LEDS0. TSIN1A	ETH0. RXD1A	U0C1. DX2A	ERU0. 1A2		CCU41. IN2A			
P2.4	VADC. EMUX02	U0C1. SCLKOUT	CCU41. OUT1	LEDS0. LINE2	LEDS0. EXTENDED2	LEDS0. TSIN2A	ETH0. RXERA	U0C1. DX1A	ERU0. 0B2		CCU41. IN1A			
P2.5	ETH0. TX_EN	U0C1. DOU0	CCU41. OUT0	LEDS0. LINE3	LEDS0. EXTENDED3	LEDS0. TSIN3A	ETH0. RXDVA	U0C1. DX0B	ERU0. 0A2		CCU41. IN0A			ETH0. CRS_DVA
P2.6		ERU1. PDOUT3	CCU80. OUT13	LEDS0. COL3				CAN. N1_RXDA	ERU0. 1B3		CCU40. IN3C	ECAT0. P0_RX_ERRB		
P2.7	ETH0. MDC	CAN. N1_TXD	CCU80. OUT03	LEDS0. COL2						ERU1. 1B0	CCU40. IN2C			
P2.8	ETH0. TXD0	ERU1. PDOUT1	CCU80. OUT32	LEDS0. LINE4	LEDS0. EXTENDED4	LEDS0. TSIN4A	DAC. TRIGGER5				CCU40. IN0B	CCU40. IN1B	CCU40. IN2B	CCU40. IN3B
P2.9	ETH0. TXD1	ERU1. PDOUT2	CCU80. OUT22	LEDS0. LINE5	LEDS0. EXTENDED5	LEDS0. TSIN5A	DAC. TRIGGER4				CCU41. IN0B	CCU41. IN1B	CCU41. IN2B	CCU41. IN3B
P2.10	VADC. EMUX10	ERU1. PDOUT0	ECAT0. PHY_RST	ECAT0. SYNC1										
P2.14	VADC. EMUX11	U1C0. DOU0	CCU80. OUT21							U1C0. DX0D				
P2.15	VADC. EMUX12	ECAT0. P1_TXD3	CCU80. OUT11	LEDS0. LINE6	LEDS0. EXTENDED6	LEDS0. TSIN6A	ETH0. COLA	U1C0. DX0C						

**Table 11 Port I/O Functions (cont'd)**

Function	Output					Input								
	ALT1	ALT2	ALT3	ALT4	HWO0	HWI0	Input	Input	Input	Input	Input	Input	Input	Input
P3.0		U0C1. SCLKOUT		ECAT0. P1_TX_ENA			U0C1. DX1B				CCU80. IN2C			
P3.1		U0C1. SELO0	ECAT0. P1_TXD0				U0C1. DX2B		ERU0. 0B1		CCU80. IN1C			
P3.2	USB. DRIVEVBUS	CAN. NO_TXD	ECAT0. P1_TXD1	LEDS0. COLA					ERU0. 0A1		CCU80. IN0C			
P3.3		U1C1. SELO1		ECAT0. MCLK	SDMMC. LED						CCU80. IN3B			
P3.4		U1C1. SELO2			SDMMC. BUS_POWER						CCU80. IN5B	ECAT0. P1_LINKA		
P3.5		U1C1. SELO3		U0C1. DOUT0	SDMMC. CMD_OUT	SDMMC. CMD_IN			ERU0. 3B1			ECAT0. P1_RX_ERRA		
P3.6		U1C1. SELO4		U0C1. SCLKOUT	SDMMC. CLK_OUT	SDMMC. CLK_IN			ERU0. 3A1					
P4.0		ECAT0. PHY_CLK25		U1C0. SCLKOUT	SDMMC. DATA0_OUT	SDMMC. DATA0_IN	U1C1. DX1C		U0C1. DX0E				ECAT0. P0_RX_ERRA	
P4.1		U1C1. MCLKOUT		U0C1. SELO0	SDMMC. DATA3_OUT	SDMMC. DATA3_IN							ECAT0. P0_LINKA	
P5.0				ERU1. P0OUT0				ETH0. RXD0D	U0C0. DX0D	ECAT0. P0_RXD0B				
P5.1	U0C0. DOUT0			ERU1. P0OUT1				ETH0. RXD1D		ECAT0. P0_RXD1B				
P5.2		ECAT0. P0_LINK_ACT		ERU1. P0OUT2				ETH0. GRS_DVD		ECAT0. P0_RXD2B				ETH0. RXDVD
P5.7	ECAT0. SYNG0			LEDS0. COLA						ECAT0. P0_RXD3B				
P14.0							VADC. G0CH0							
P14.1							VADC. G0CH1							
P14.2							VADC. G0CH2	VADC. G1CH2						
P14.3							VADC. G0CH3	VADC. G1CH3		CAN. NO_RXDB				
P14.4							VADC. G0CH4							ECAT0. LATCH1A
P14.5							VADC. G0CH5							ECAT0. LATCH0A
P14.6							VADC. G0CH6					GOORC6	ECAT0. P1_RX_CLKB	
P14.7							VADC. G0CH7					GOORC7	ECAT0. P1_RXD0B	
P14.8					DAC. OUT_0			VADC. G1CH0			ETH0. RXD0C			
P14.9					DAC. OUT_1			VADC. G1CH1			ETH0. RXD1C			

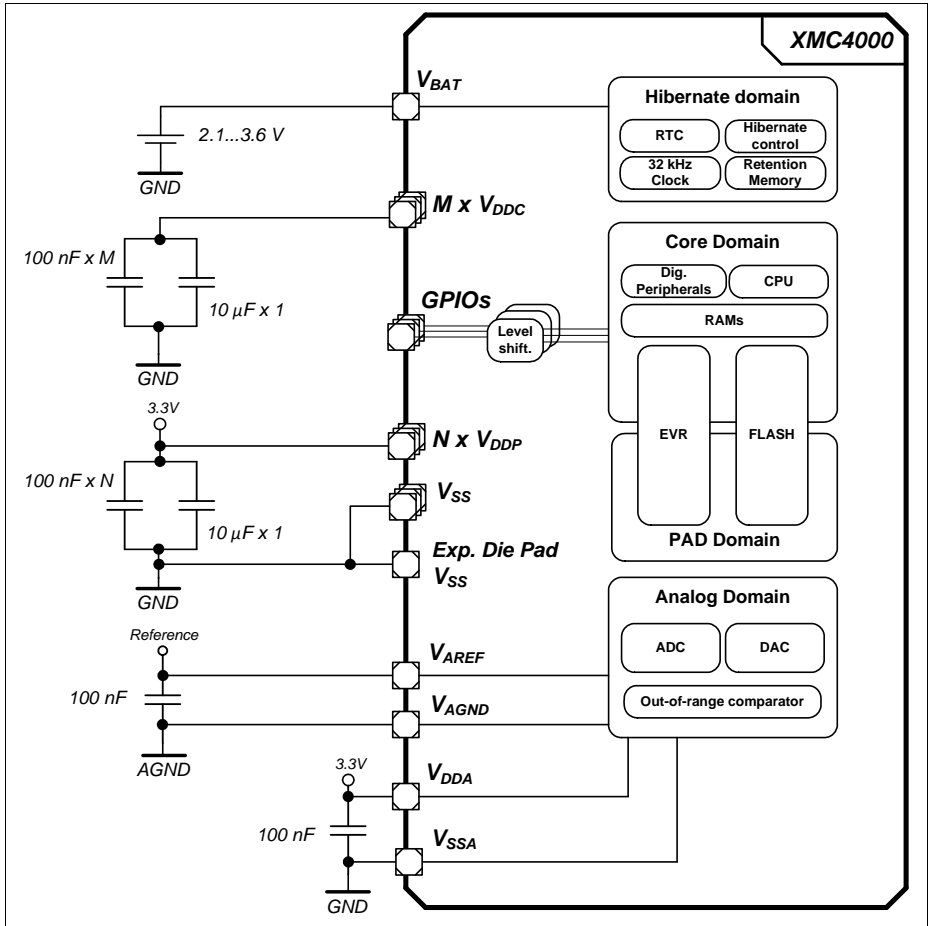
**Table 11 Port I/O Functions (cont'd)**

Function	Output					Input								
	ALT1	ALT2	ALT3	ALT4	HWO0	HWI0	Input	Input	Input	Input	Input	Input	Input	Input
P14.12								VADC. G1CH4						ECAT0. P1_RXD1B
P14.13								VADC. G1CH5						ECAT0. P1_RXD2B
P14.14								VADC. G1CH6				G1ORC6		ECAT0. P1_RXD3B
P14.15								VADC. G1CH7				G1ORC7		ECAT0. P1_RX_DVB
P15.2														ECAT0. P1_RX_ERRB
P15.3														ECAT0. P1_LINKB
P15.8											ETH0. CLK_RMII0			ETH0. CLKRXC
P15.9											ETH0. CRS_DVC			ETH0. RXDVC
HIB_IO_0	HIBOUT	WWDT. SERVICE_OUT					WAKEUPA							
HIB_IO_1	HIBOUT	WWDT. SERVICE_OUT					WAKEUPB							
USB_DP														
USB_DM														
TCK						DB.TCK/ SWCLK								
TMS					DB.TMS/ SWDIO									
PORST														
XTAL1							U0C0. DX0F	U0C1. DX0F	U1C0. DX0F	U1C1. DX0F				
XTAL2														
RTC_XTAL1									ERU0. 1B1					
RTC_XTAL2														



### 2.3 Power Connection Scheme

Figure 5. shows a reference power connection scheme for the XMC4300.



**Figure 5 Power Connection Scheme**

Every power supply pin needs to be connected. Different pins of the same supply need also to be externally connected. As example, all  $V_{DDP}$  pins must be connected externally to one  $V_{DDP}$  net. In this reference scheme one 100 nF capacitor is connected at each supply pin against  $V_{SS}$ . An additional 10  $\mu$ F capacitor is connected to the  $V_{DDP}$  nets and an additional 10  $\mu$ F capacitor to the  $V_{DDC}$  nets.

The XMC4300 has a common ground concept, all  $V_{SS}$ ,  $V_{SSA}$  and  $V_{SSO}$  pins share the same ground potential. In packages with an exposed die pad it must be connected to the common ground as well.

$V_{AGND}$  is the low potential to the analog reference  $V_{AREF}$ . Depending on the application it can share the common ground or have a different potential. In devices with shared  $V_{DDA}/V_{AREF}$  and  $V_{SSA}/V_{AGND}$  pins the reference is tied to the supply. Some analog channels can optionally serve as "Alternate Reference"; further details on this operating mode are described in the Reference Manual.

When  $V_{DDP}$  is supplied,  $V_{BAT}$  must be supplied as well. If no other supply source (e.g. battery) is connected to  $V_{BAT}$ , the  $V_{BAT}$  pin can also be connected directly to  $V_{DDP}$ .

## **3 Electrical Parameters**

*Attention: All parameters in this chapter are preliminary target values and may change based on characterization results.*

### **3.1 General Parameters**

#### **3.1.1 Parameter Interpretation**

The parameters listed in this section partly represent the characteristics of the XMC4300 and partly its requirements on the system. To aid interpreting the parameters easily when evaluating them for a design, they are marked with a two-letter abbreviation in column "Symbol":

- **CC**  
Such parameters indicate **C**ontroller **C**haracteristics, which are a distinctive feature of the XMC4300 and must be regarded for system design.
- **SR**  
Such parameters indicate **S**ystem **R**equirements, which must be provided by the application system in which the XMC4300 is designed in.

### 3.1.2 Absolute Maximum Ratings

Stresses above the values listed under “Absolute Maximum Ratings” may cause permanent damage to the device. This is a stress rating only and functional operation of the device at these or any other conditions above those indicated in the operational sections of this specification is not implied. Exposure to absolute maximum rating conditions may affect device reliability.

**Table 12 Absolute Maximum Rating Parameters**

Parameter	Symbol		Values			Unit	Note / Test Condition
			Min.	Typ.	Max.		
Storage temperature	$T_{ST}$	SR	-65	–	150	°C	–
Junction temperature	$T_J$	SR	-40	–	150	°C	–
Voltage at 3.3 V power supply pins with respect to $V_{SS}$	$V_{DDP}$	SR	–	–	4.3	V	–
Voltage on any Class A and dedicated input pin with respect to $V_{SS}$	$V_{IN}$	SR	-1.0	–	$V_{DDP} + 1.0$ or max. 4.3	V	whichever is lower
Voltage on any analog input pin with respect to $V_{AGND}$	$V_{AIN}$ $V_{AREF}$	SR	-1.0	–	$V_{DDP} + 1.0$ or max. 4.3	V	whichever is lower
Input current on any pin during overload condition	$I_{IN}$	SR	-10	–	+10	mA	
Absolute maximum sum of all input circuit currents for one port group during overload condition <sup>1)</sup>	$\Sigma I_{IN}$	SR	-25	–	+25	mA	
Absolute maximum sum of all input circuit currents during overload condition	$\Sigma I_{IN}$	SR	-100	–	+100	mA	

1) The port groups are defined in [Table 16](#).

**Figure 6** explains the input voltage ranges of  $V_{IN}$  and  $V_{AIN}$  and its dependency to the supply level of  $V_{DDP}$ . The input voltage must not exceed 4.3 V, and it must not be more than 1.0 V above  $V_{DDP}$ . For the range up to  $V_{DDP} + 1.0$  V also see the definition of the overload conditions in [Section 3.1.3](#).

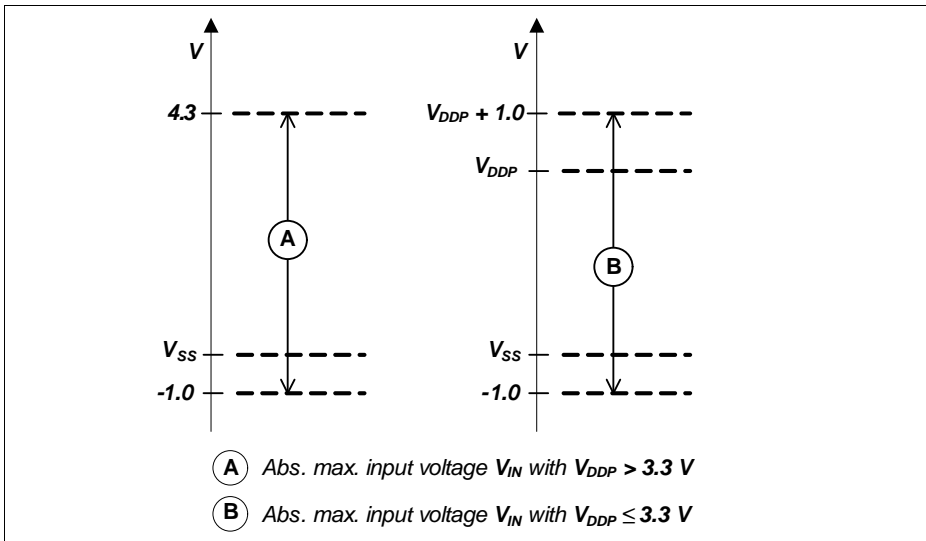


Figure 6 Absolute Maximum Input Voltage Ranges

### 3.1.3 Pin Reliability in Overload

When receiving signals from higher voltage devices, low-voltage devices experience overload currents and voltages that go beyond their own IO power supplies specification.

**Table 13** defines overload conditions that will not cause any negative reliability impact if all the following conditions are met:

- full operation life-time is not exceeded
- **Operating Conditions** are met for
  - pad supply levels ( $V_{DDP}$  or  $V_{DDA}$ )
  - temperature

If a pin current is outside of the **Operating Conditions** but within the overload conditions, then the parameters of this pin as stated in the Operating Conditions can no longer be guaranteed. Operation is still possible in most cases but with relaxed parameters.

*Note: An overload condition on one or more pins does not require a reset.*

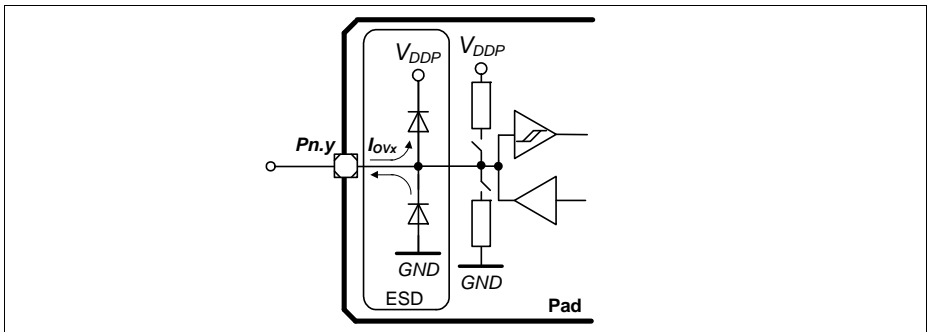
*Note: A series resistor at the pin to limit the current to the maximum permitted overload current is sufficient to handle failure situations like short to battery.*

**Table 13**      **Overload Parameters**

Parameter	Symbol		Values			Unit	Note / Test Condition
			Min.	Typ.	Max.		
Input current on any port pin during overload condition	$I_{OV}$	SR	-5	–	5	mA	
Absolute sum of all input circuit currents for one port group during overload condition <sup>1)</sup>	$I_{OVG}$	SR	–	–	20	mA	$\Sigma I_{OVx} $ , for all $I_{OVx} < 0$ mA
			–	–	20	mA	$\Sigma I_{OVx} $ , for all $I_{OVx} > 0$ mA
Absolute sum of all input circuit currents during overload condition	$I_{OVS}$	SR	–	–	80	mA	$\Sigma I_{OVG}$

1) The port groups are defined in [Table 16](#).

**Figure 7** shows the path of the input currents during overload via the ESD protection structures. The diodes against  $V_{DDP}$  and ground are a simplified representation of these ESD protection structures.



**Figure 7**      **Input Overload Current via ESD structures**

[Table 14](#) and [Table 15](#) list input voltages that can be reached under overload conditions. Note that the absolute maximum input voltages as defined in the [Absolute Maximum Ratings](#) must not be exceeded during overload.

**Table 14 PN-Junction Characteristics for positive Overload**

Pad Type	$I_{OV} = 5 \text{ mA}, T_J = -40 \text{ }^\circ\text{C}$	$I_{OV} = 5 \text{ mA}, T_J = 150 \text{ }^\circ\text{C}$
A1 / A1+	$V_{IN} = V_{DDP} + 1.0 \text{ V}$	$V_{IN} = V_{DDP} + 0.75 \text{ V}$
A2	$V_{IN} = V_{DDP} + 0.7 \text{ V}$	$V_{IN} = V_{DDP} + 0.6 \text{ V}$
AN/DIG_IN	$V_{IN} = V_{DDP} + 1.0 \text{ V}$	$V_{IN} = V_{DDP} + 0.75 \text{ V}$

**Table 15 PN-Junction Characteristics for negative Overload**

Pad Type	$I_{OV} = 5 \text{ mA}, T_J = -40 \text{ }^\circ\text{C}$	$I_{OV} = 5 \text{ mA}, T_J = 150 \text{ }^\circ\text{C}$
A1 / A1+	$V_{IN} = V_{SS} - 1.0 \text{ V}$	$V_{IN} = V_{SS} - 0.75 \text{ V}$
A2	$V_{IN} = V_{SS} - 0.7 \text{ V}$	$V_{IN} = V_{SS} - 0.6 \text{ V}$
AN/DIG_IN	$V_{IN} = V_{DDP} - 1.0 \text{ V}$	$V_{IN} = V_{DDP} - 0.75 \text{ V}$

**Table 16 Port Groups for Overload and Short-Circuit Current Sum Parameters**

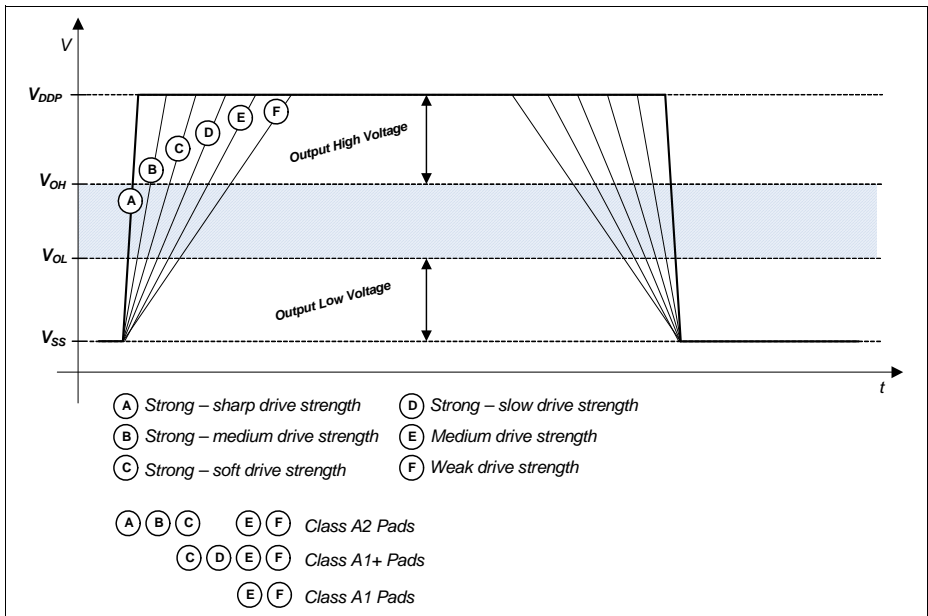
Group	Pins
1	P0.[12:0], P3.[6:0]
2	P14.[15:0], P15.[9:2]
3	P2.[15:0], P5.[7:0]
4	P1.[15:0], P4.[1:0]

### 3.1.4 Pad Driver and Pad Classes Summary

This section gives an overview on the different pad driver classes and their basic characteristics.

**Table 17 Pad Driver and Pad Classes Overview**

Class	Power Supply	Type	Sub-Class	Speed Grade	Load	Termination
A	3.3 V	LVTTTL I/O	A1 (e.g. GPIO)	6 MHz	100 pF	No
			A1+ (e.g. serial I/Os)	25 MHz	50 pF	Series termination recommended
			A2 (e.g. ext. Bus)	80 MHz	15 pF	Series termination recommended



**Figure 8 Output Slopes with different Pad Driver Modes**

**Figure 8** is a qualitative display of the resulting output slope performance with different output driver modes. The detailed input and output characteristics are listed in [Section 3.2.1](#).



### 3.1.5 Operating Conditions

The following operating conditions must not be exceeded in order to ensure correct operation and reliability of the XMC4300. All parameters specified in the following sections refer to these operating conditions, unless noted otherwise.

**Table 18 Operating Conditions Parameters**

Parameter	Symbol	Values			Unit	Note / Test Condition
		Min.	Typ.	Max.		
Ambient Temperature	$T_A$ SR	-40	–	85	°C	Temp. Range F
		-40	–	125	°C	Temp. Range K
Digital supply voltage	$V_{DDP}$ SR	3.13 <sup>1)</sup>	3.3	3.63 <sup>2)</sup>	V	
Core Supply Voltage	$V_{DDC}$ CC	– <sup>1)</sup>	1.3	–	V	Generated internally
Digital ground voltage	$V_{SS}$ SR	0	–	–	V	
ADC analog supply voltage	$V_{DDA}$ SR	3.0	3.3	3.6 <sup>2)</sup>	V	
Analog ground voltage for $V_{DDA}$	$V_{SSA}$ SR	-0.1	0	0.1	V	
Battery Supply Voltage for Hibernate Domain	$V_{BAT}$ SR	1.95 <sup>3)</sup>	–	3.63	V	When $V_{DDP}$ is supplied $V_{BAT}$ has to be supplied as well.
System Frequency	$f_{SYS}$ SR	–	–	144	MHz	
Short circuit current of digital outputs	$I_{SC}$ SR	-5	–	5	mA	
Absolute sum of short circuit currents per pin group <sup>4)</sup>	$\Sigma I_{SC\_PG}$ SR	–	–	20	mA	
Absolute sum of short circuit currents of the device	$\Sigma I_{SC\_D}$ SR	–	–	100	mA	

1) See also the Supply Monitoring thresholds, [Section 3.3.2](#).

2) Voltage overshoot to 4.0 V is permissible at Power-Up and  $\overline{PORST}$  low, provided the pulse duration is less than 100  $\mu$ s and the cumulated sum of the pulses does not exceed 1 h over lifetime.

3) To start the hibernate domain it is required that  $V_{BAT} \geq 2.1$  V, for a reliable start of the oscillation of RTC\_XTAL in crystal mode it is required that  $V_{BAT} \geq 3.0$  V.

4) The port groups are defined in [Table 16](#).

## 3.2 DC Parameters

### 3.2.1 Input/Output Pins

The digital input stage of the shared analog/digital input pins is identical to the input stage of the standard digital input/output pins.

The Pull-up on the PORST pin is identical to the Pull-up on the standard digital input/output pins.

*Note: These parameters are not subject to production test, but verified by design and/or characterization.*

**Table 19 Standard Pad Parameters**

Parameter	Symbol	Values		Unit	Note / Test Condition
		Min.	Max.		
Pin capacitance (digital inputs/outputs)	$C_{IO}$ CC	–	10	pF	
Pull-down current	$ I_{PDL} $ SR	150	–	$\mu\text{A}$	<sup>1)</sup> $V_{IN} \geq 0.6 \times V_{DDP}$
		–	10	$\mu\text{A}$	<sup>2)</sup> $V_{IN} \leq 0.36 \times V_{DDP}$
Pull-Up current	$ I_{PUH} $ SR	–	10	$\mu\text{A}$	<sup>2)</sup> $V_{IN} \geq 0.6 \times V_{DDP}$
		100	–	$\mu\text{A}$	<sup>1)</sup> $V_{IN} \leq 0.36 \times V_{DDP}$
Input Hysteresis for pads of all A classes <sup>3)</sup>	$HYS_A$ CC	$0.1 \times V_{DDP}$	–	V	
PORST spike filter always blocked pulse duration	$t_{SF1}$ CC	–	10	ns	
PORST spike filter pass-through pulse duration	$t_{SF2}$ CC	100	–	ns	
PORST pull-down current	$ I_{PPD} $ CC	13	–	mA	$V_{IN} = 1.0 \text{ V}$

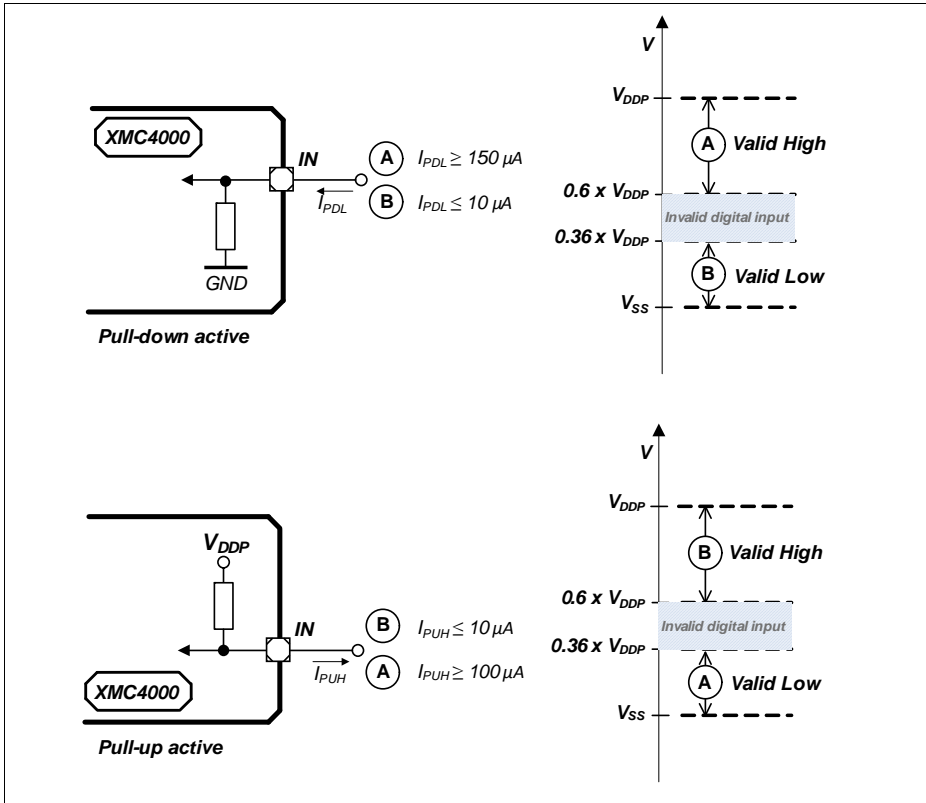
1) Current required to override the pull device with the opposite logic level (“force current”).

With active pull device, at load currents between force and keep current the input state is undefined.

2) Load current at which the pull device still maintains the valid logic level (“keep current”).

With active pull device, at load currents between force and keep current the input state is undefined.

3) Hysteresis is implemented to avoid metastable states and switching due to internal ground bounce. It can not be guaranteed that it suppresses switching due to external system noise.



**Figure 9 Pull Device Input Characteristics**

**Figure 9** visualizes the input characteristics with an active internal pull device:

- in the cases "A" the internal pull device is overridden by a strong external driver;
- in the cases "B" the internal pull device defines the input logical state against a weak external load.

**Electrical Parameters**
**Table 20 Standard Pads Class\_A1**

Parameter	Symbol	Values		Unit	Note / Test Condition
		Min.	Max.		
Input leakage current	$I_{OZA1}$ CC	-500	500	nA	$0\text{ V} \leq V_{IN} \leq V_{DDP}$
Input high voltage	$V_{IHA1}$ SR	$0.6 \times V_{DDP}$	$V_{DDP} + 0.3$	V	max. 3.6 V
Input low voltage	$V_{ILA1}$ SR	-0.3	$0.36 \times V_{DDP}$	V	
Output high voltage, POD <sup>1)</sup> = weak	$V_{OHA1}$ CC	$V_{DDP} - 0.4$	–	V	$I_{OH} \geq -400\ \mu\text{A}$
		2.4	–	V	$I_{OH} \geq -500\ \mu\text{A}$
Output high voltage, POD <sup>1)</sup> = medium		$V_{DDP} - 0.4$	–	V	$I_{OH} \geq -1.4\ \text{mA}$
		2.4	–	V	$I_{OH} \geq -2\ \text{mA}$
Output low voltage	$V_{OLA1}$ CC	–	0.4	V	$I_{OL} \leq 500\ \mu\text{A}$ ; POD <sup>1)</sup> = weak
		–	0.4	V	$I_{OL} \leq 2\ \text{mA}$ ; POD <sup>1)</sup> = medium
Fall time	$t_{FA1}$ CC	–	150	ns	$C_L = 20\ \text{pF}$ ; POD <sup>1)</sup> = weak
		–	50	ns	$C_L = 50\ \text{pF}$ ; POD <sup>1)</sup> = medium
Rise time	$t_{RA1}$ CC	–	150	ns	$C_L = 20\ \text{pF}$ ; POD <sup>1)</sup> = weak
		–	50	ns	$C_L = 50\ \text{pF}$ ; POD <sup>1)</sup> = medium

1) POD = Pin Out Driver

**Table 21 Standard Pads Class\_A1+**

Parameter	Symbol	Values		Unit	Note / Test Condition
		Min.	Max.		
Input leakage current	$I_{OZA1+}$ CC	-1	1	$\mu\text{A}$	$0\text{ V} \leq V_{IN} \leq V_{DDP}$
Input high voltage	$V_{IHA1+}$ SR	$0.6 \times V_{DDP}$	$V_{DDP} + 0.3$	V	max. 3.6 V
Input low voltage	$V_{ILA1+}$ SR	-0.3	$0.36 \times V_{DDP}$	V	

**Electrical Parameters**
**Table 21 Standard Pads Class\_A1+**

Parameter	Symbol	Values		Unit	Note / Test Condition	
		Min.	Max.			
Output high voltage, POD <sup>1)</sup> = weak	$V_{OHA1+}$ CC	$V_{DDP} - 0.4$	–	V	$I_{OH} \geq -400 \mu A$	
		2.4	–	V	$I_{OH} \geq -500 \mu A$	
Output high voltage, POD <sup>1)</sup> = medium		$V_{DDP} - 0.4$	–	V	$I_{OH} \geq -1.4 mA$	
		2.4	–	V	$I_{OH} \geq -2 mA$	
Output high voltage, POD <sup>1)</sup> = strong		$V_{DDP} - 0.4$	–	V	$I_{OH} \geq -1.4 mA$	
		2.4	–	V	$I_{OH} \geq -2 mA$	
Output low voltage		$V_{OLA1+}$ CC	–	0.4	V	$I_{OL} \leq 500 \mu A$ ; POD <sup>1)</sup> = weak
			–	0.4	V	$I_{OL} \leq 2 mA$ ; POD <sup>1)</sup> = medium
	–		0.4	V	$I_{OL} \leq 2 mA$ ; POD <sup>1)</sup> = strong	
Fall time	$t_{FA1+}$ CC	–	150	ns	$C_L = 20 pF$ ; POD <sup>1)</sup> = weak	
		–	50	ns	$C_L = 50 pF$ ; POD <sup>1)</sup> = medium	
		–	28	ns	$C_L = 50 pF$ ; POD <sup>1)</sup> = strong; edge = slow	
		–	16	ns	$C_L = 50 pF$ ; POD <sup>1)</sup> = strong; edge = soft;	
Rise time	$t_{RA1+}$ CC	–	150	ns	$C_L = 20 pF$ ; POD <sup>1)</sup> = weak	
		–	50	ns	$C_L = 50 pF$ ; POD <sup>1)</sup> = medium	
		–	28	ns	$C_L = 50 pF$ ; POD <sup>1)</sup> = strong; edge = slow	
		–	16	ns	$C_L = 50 pF$ ; POD <sup>1)</sup> = strong; edge = soft	

1) POD = Pin Out Driver

**Table 22 Standard Pads Class\_A2**

Parameter	Symbol	Values		Unit	Note / Test Condition
		Min.	Max.		
Input Leakage current	$I_{OZA2}$ CC	-6	6	$\mu\text{A}$	$0\text{ V} \leq V_{IN} < 0.5 * V_{DDP} - 1\text{ V};$ $0.5 * V_{DDP} + 1\text{ V} < V_{IN} \leq V_{DDP}$
		-3	3	$\mu\text{A}$	$0.5 * V_{DDP} - 1\text{ V} < V_{IN} < 0.5 * V_{DDP} + 1\text{ V}$
Input high voltage	$V_{IHA2}$ SR	$0.6 \times V_{DDP}$	$V_{DDP} + 0.3$	V	max. 3.6 V
Input low voltage	$V_{ILA2}$ SR	-0.3	$0.36 \times V_{DDP}$	V	
Output high voltage, POD = weak	$V_{OHA2}$ CC	$V_{DDP} - 0.4$	-	V	$I_{OH} \geq -400\ \mu\text{A}$
		2.4	-	V	$I_{OH} \geq -500\ \mu\text{A}$
Output high voltage, POD = medium		$V_{DDP} - 0.4$	-	V	$I_{OH} \geq -1.4\ \text{mA}$
		2.4	-	V	$I_{OH} \geq -2\ \text{mA}$
Output high voltage, POD = strong		$V_{DDP} - 0.4$	-	V	$I_{OH} \geq -1.4\ \text{mA}$
		2.4	-	V	$I_{OH} \geq -2\ \text{mA}$
Output low voltage, POD = weak	$V_{OLA2}$ CC	-	0.4	V	$I_{OL} \leq 500\ \mu\text{A}$
Output low voltage, POD = medium		-	0.4	V	$I_{OL} \leq 2\ \text{mA}$
Output low voltage, POD = strong		-	0.4	V	$I_{OL} \leq 2\ \text{mA}$

**Electrical Parameters**

**Table 22 Standard Pads Class\_A2**

Parameter	Symbol	Values		Unit	Note / Test Condition
		Min.	Max.		
Fall time	$t_{FA2}$ CC	–	150	ns	$C_L = 20$ pF; POD = weak
		–	50	ns	$C_L = 50$ pF; POD = medium
		–	3.7	ns	$C_L = 50$ pF; POD = strong; edge = sharp
		–	7	ns	$C_L = 50$ pF; POD = strong; edge = medium
		–	16	ns	$C_L = 50$ pF; POD = strong; edge = soft
Rise time	$t_{RA2}$ CC	–	150	ns	$C_L = 20$ pF; POD = weak
		–	50	ns	$C_L = 50$ pF; POD = medium
		–	3.7	ns	$C_L = 50$ pF; POD = strong; edge = sharp
		–	7.0	ns	$C_L = 50$ pF; POD = strong; edge = medium
		–	16	ns	$C_L = 50$ pF; POD = strong; edge = soft

**Table 23 HIB\_IO Class\_A1 special Pads**

Parameter	Symbol	Values		Unit	Note / Test Condition
		Min.	Max.		
Input leakage current	$I_{OZHIB}$ CC	-500	500	nA	$0\text{ V} \leq V_{IN} \leq V_{BAT}$
Input high voltage	$V_{IHIB}$ SR	$0.6 \times V_{BAT}$	$V_{BAT} + 0.3$	V	max. 3.6 V
Input low voltage	$V_{ILHIB}$ SR	-0.3	$0.36 \times V_{BAT}$	V	
Input Hysteresis for HIB_IO pins <sup>1)</sup>	$HYSHIB$ CC	$0.1 \times V_{BAT}$	–	V	$V_{BAT} \geq 3.13\text{ V}$
		$0.06 \times V_{BAT}$	–	V	$V_{BAT} < 3.13\text{ V}$
Output high voltage, POD <sup>1)</sup> = medium	$V_{OHIB}$ CC	$V_{BAT} - 0.4$	–	V	$I_{OH} \geq -1.4\text{ mA}$
Output low voltage	$V_{OLHIB}$ CC	–	0.4	V	$I_{OL} \leq 2\text{ mA}$
Fall time	$t_{FHIB}$ CC	–	50	ns	$V_{BAT} \geq 3.13\text{ V}$ $C_L = 50\text{ pF}$
		–	100	ns	$V_{BAT} < 3.13\text{ V}$ $C_L = 50\text{ pF}$
Rise time	$t_{RHIB}$ CC	–	50	ns	$V_{BAT} \geq 3.13\text{ V}$ $C_L = 50\text{ pF}$
		–	100	ns	$V_{BAT} < 3.13\text{ V}$ $C_L = 50\text{ pF}$

1) Hysteresis is implemented to avoid metastable states and switching due to internal ground bounce. It can not be guaranteed that it suppresses switching due to external system noise.



### 3.2.2 Analog to Digital Converters (VADC)

Note: These parameters are not subject to production test, but verified by design and/or characterization.

**Table 24 VADC Parameters (Operating Conditions apply)**

Parameter	Symbol	Values			Unit	Note / Test Condition
		Min.	Typ.	Max.		
Analog reference voltage <sup>5)</sup>	$V_{AREF}$ SR	$V_{AGND} + 1$	–	$V_{DDA} + 0.05^{1)}$	V	
Analog reference ground <sup>5)</sup>	$V_{AGND}$ SR	$V_{SSM} - 0.05$	–	$V_{AREF} - 1$	V	
Analog reference voltage range <sup>2)5)</sup>	$V_{AREF} - V_{AGND}$ SR	1	–	$V_{DDA} + 0.1$	V	
Analog input voltage	$V_{AIN}$ SR	$V_{AGND}$	–	$V_{DDA}$	V	
Input leakage at analog inputs <sup>3)</sup>	$I_{OZ1}$ CC	-100	–	200	nA	$0.03 \times V_{DDA} < V_{AIN} < 0.97 \times V_{DDA}$
		-500	–	100	nA	$0 \text{ V} \leq V_{AIN} \leq 0.03 \times V_{DDA}$
		-100	–	500	nA	$0.97 \times V_{DDA} \leq V_{AIN} \leq V_{DDA}$
Input leakage current at VAREF	$I_{OZ2}$ CC	-1	–	1	$\mu\text{A}$	$0 \text{ V} \leq V_{AREF} \leq V_{DDA}$
Input leakage current at VAGND	$I_{OZ3}$ CC	-1	–	1	$\mu\text{A}$	$0 \text{ V} \leq V_{AGND} \leq V_{DDA}$
Internal ADC clock	$f_{ADCI}$ CC	2	–	36	MHz	$V_{DDA} = 3.3 \text{ V}$
Switched capacitance at the analog voltage inputs <sup>4)</sup>	$C_{AINSW}$ CC	–	4	6.5	pF	
Total capacitance of an analog input	$C_{AINTOT}$ CC	–	12	20	pF	
Switched capacitance at the positive reference voltage input <sup>5)6)</sup>	$C_{AREFSW}$ CC	–	15	30	pF	
Total capacitance of the voltage reference inputs <sup>5)</sup>	$C_{AREFTOT}$ CC	–	20	40	pF	

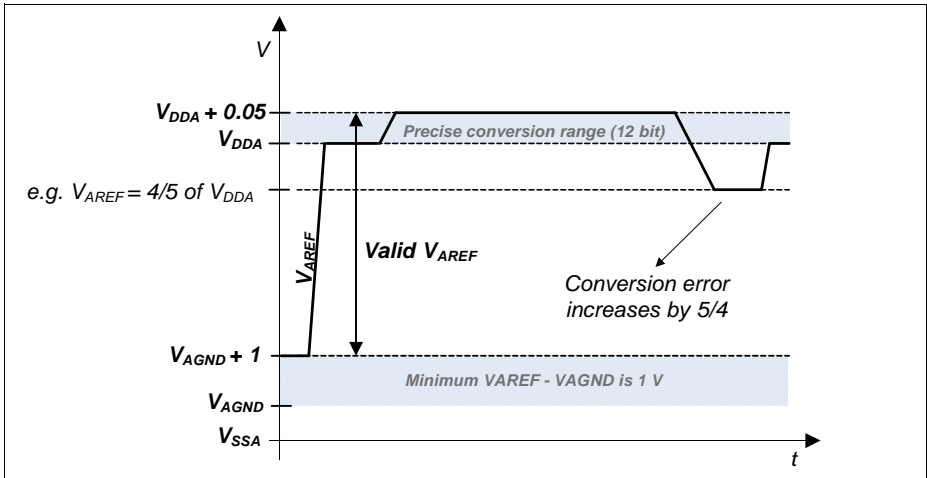
**Electrical Parameters**
**Table 24 VADC Parameters (Operating Conditions apply)**

Parameter	Symbol	Values			Unit	Note / Test Condition
		Min.	Typ.	Max.		
Total Unadjusted Error	$TUE_{CC}$	-4	–	4	LSB	12-bit resolution; $V_{DDA} = 3.3\text{ V}$ ; $V_{AREF} = V_{DDA}$ <sup>7)</sup>
Differential Non-Linearity Error <sup>8)</sup>	$EA_{DNL_{CC}}$	-3	–	3	LSB	
Gain Error <sup>8)</sup>	$EA_{GAIN_{CC}}$	-4	–	4	LSB	
Integral Non-Linearity <sup>8)</sup>	$EA_{INL_{CC}}$	-3	–	3	LSB	
Offset Error <sup>8)</sup>	$EA_{OFF_{CC}}$	-4	–	4	LSB	
RMS Noise <sup>9)</sup>	$EN_{RMS_{CC}}$	–	1	2 <sup>10/11)</sup>	LSB	
Worst case ADC $V_{DDA}$ power supply current per active converter	$I_{DDAA_{CC}}$	–	1.5	2	mA	during conversion $V_{DDP} = 3.6\text{ V}$ , $T_J = 150\text{ °C}$
Charge consumption on $V_{AREF}$ per conversion <sup>5)</sup>	$Q_{CONV_{CC}}$	–	30	–	pC	$0\text{ V} \leq V_{AREF} \leq V_{DDA}$ <sup>12)</sup>
ON resistance of the analog input path	$R_{AIN_{CC}}$	–	600	1 200	Ohm	
ON resistance for the ADC test (pull down for AIN7)	$R_{AIN7T_{CC}}$	180	550	900	Ohm	
Resistance of the reference voltage input path	$R_{AREF_{CC}}$	–	700	1 700	Ohm	

- 1) A running conversion may become imprecise in case the normal conditions are violated (voltage overshoot).
- 2) If the analog reference voltage is below  $V_{DDA}$ , then the ADC converter errors increase. If the reference voltage is reduced by the factor k ( $k < 1$ ), TUE, DNL, INL, Gain, and Offset errors increase also by the factor 1/k.
- 3) The leakage current definition is a continuous function, as shown in figure ADCx Analog Inputs Leakage. The numerical values defined determine the characteristic points of the given continuous linear approximation - they do not define step function (see [Figure 12](#)).
- 4) The sampling capacity of the conversion C-network is pre-charged to  $V_{AREF}/2$  before the sampling moment. Because of the parasitic elements, the voltage measured at AINx can deviate from  $V_{AREF}/2$ .
- 5) Applies to AINx, when used as alternate reference input.
- 6) This represents an equivalent switched capacitance. This capacitance is not switched to the reference voltage at once. Instead, smaller capacitances are successively switched to the reference voltage.
- 7) For 10-bit conversions, the errors are reduced to 1/4; for 8-bit conversions, the errors are reduced to 1/16. Never less than  $\pm 1$  LSB.
- 8) The sum of DNL/INL/GAIN/OFF errors does not exceed the related total unadjusted error TUE.

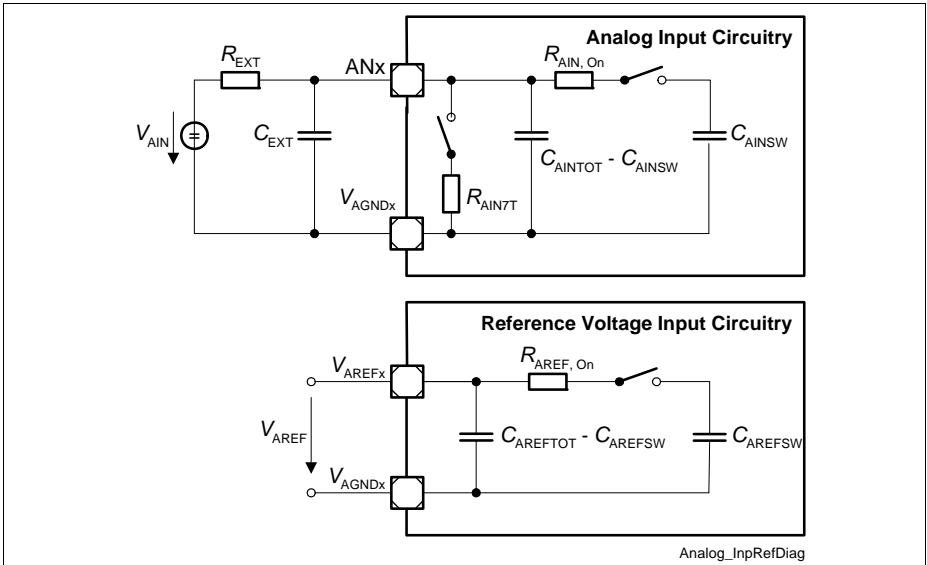
**Electrical Parameters**

- 9) This parameter is valid for soldered devices and requires careful analog board design.
- 10) Resulting worst case combined error is arithmetic combination of TUE and  $EN_{RMS}$ .
- 11) Value is defined for one sigma Gauss distribution.
- 12) The resulting current for a conversion can be calculated with  $I_{AREF} = Q_{CONV} / t_c$ .  
The fastest 12-bit post-calibrated conversion of  $t_c = 459$  ns results in a typical average current of  $I_{AREF} = 65.4 \mu A$ .

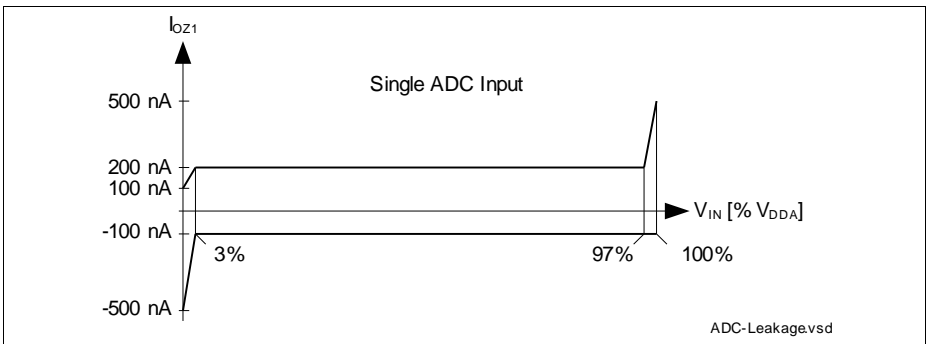


**Figure 10 VADC Reference Voltage Range**

The power-up calibration of the VADC requires a maximum number of  $4 \cdot 352 \cdot f_{ADCI}$  cycles.



**Figure 11 VADC Input Circuits**



**Figure 12 VADC Analog Input Leakage Current**

**Conversion Time**
**Table 25 Conversion Time (Operating Conditions apply)**

Parameter	Symbol	Values	Unit	Note
Conversion time	$t_C$ CC	$2 \times T_{ADC} + (2 + N + STC + PC + DM) \times T_{ADCI}$	$\mu\text{s}$	N = 8, 10, 12 for N-bit conversion $T_{ADC} = 1 / f_{PERIPH}$ $T_{ADCI} = 1 / f_{ADCI}$

- STC defines additional clock cycles to extend the sample time
- PC adds two cycles if post-calibration is enabled
- DM adds one cycle for an extended conversion time of the MSB

**Conversion Time Examples**

System assumptions:

$f_{ADC} = 144 \text{ MHz}$  i.e.  $t_{ADC} = 6.9 \text{ ns}$ ,  $DIVA = 3$ ,  $f_{ADCI} = 36 \text{ MHz}$  i.e.  $t_{ADCI} = 27.8 \text{ ns}$

According to the given formulas the following minimum conversion times can be achieved (STC = 0, DM = 0):

12-bit post-calibrated conversion (PC = 2):

$$t_{CN12C} = (2 + 12 + 2) \times t_{ADCI} + 2 \times t_{ADC} = 16 \times 27.8 \text{ ns} + 2 \times 6.9 \text{ ns} = 459 \text{ ns}$$

12-bit uncalibrated conversion:

$$t_{CN12} = (2 + 12) \times t_{ADCI} + 2 \times t_{ADC} = 14 \times 27.8 \text{ ns} + 2 \times 6.9 \text{ ns} = 403 \text{ ns}$$

10-bit uncalibrated conversion:

$$t_{CN10} = (2 + 10) \times t_{ADCI} + 2 \times t_{ADC} = 12 \times 27.8 \text{ ns} + 2 \times 6.9 \text{ ns} = 348 \text{ ns}$$

8-bit uncalibrated:

$$t_{CN8} = (2 + 8) \times t_{ADCI} + 2 \times t_{ADC} = 10 \times 27.8 \text{ ns} + 2 \times 6.9 \text{ ns} = 292 \text{ ns}$$

**3.2.3 Digital to Analog Converters (DAC)**

*Note: These parameters are not subject to production test, but verified by design and/or characterization.*

**Electrical Parameters**
**Table 26 DAC Parameters (Operating Conditions apply)**

Parameter	Symbol		Values			Unit	Note / Test Condition
			Min.	Typ.	Max.		
RMS supply current	$I_{DD}$	CC	–	2.5	4	mA	per active DAC channel, without load currents of DAC outputs
Resolution	$RES$	CC	–	12	–	Bit	
Update rate	$f_{URATE\_A}$	CC	–		2	Msample/s	data rate, where DAC can follow 64 LSB code jumps to $\pm 1$ LSB accuracy
Update rate	$f_{URATE\_F}$	CC	–		5	Msample/s	data rate, where DAC can follow 64 LSB code jumps to $\pm 4$ LSB accuracy
Settling time	$t_{SETTLE}$	CC	–	1	2	$\mu$ s	at full scale jump, output voltage reaches target value $\pm 20$ LSB
Slew rate	$SR$	CC	2	5	–	V/ $\mu$ s	
Minimum output voltage	$V_{OUT\_MIN}$	CC	–	0.3	–	V	code value unsigned: 000 <sub>H</sub> ; signed: 800 <sub>H</sub>
Maximum output voltage	$V_{OUT\_MAX}$	CC	–	2.5	–	V	code value unsigned: FFF <sub>H</sub> ; signed: 7FF <sub>H</sub>
Integral non-linearity	$INL$	CC	-5.5	$\pm 2.5$	5.5	LSB	$R_L \geq 5$ kOhm, $C_L \leq 50$ pF
Differential non-linearity	$DNL$	CC	-2	$\pm 1$	2	LSB	$R_L \geq 5$ kOhm, $C_L \leq 50$ pF
Offset error	$ED_{OFF}$	CC		$\pm 20$		mV	
Gain error	$ED_{G\_IN}$	CC	-6.5	-1.5	3	%	
Startup time	$t_{STARTUP}$	CC	–	15	30	$\mu$ s	time from output enabling till code valid $\pm 16$ LSB

**Table 26 DAC Parameters (Operating Conditions apply) (cont'd)**

Parameter	Symbol		Values			Unit	Note / Test Condition
			Min.	Typ.	Max.		
3dB Bandwidth of Output Buffer	$f_{C1}$	CC	2.5	5	–	MHz	verified by design
Output sourcing current	$I_{OUT\_SOURCE}$	CC	–	-30	–	mA	
Output sinking current	$I_{OUT\_SINK}$	CC	–	0.6	–	mA	
Output resistance	$R_{OUT}$	CC	–	50	–	Ohm	
Load resistance	$R_L$	SR	5	–	–	kOhm	
Load capacitance	$C_L$	SR	–	–	50	pF	
Signal-to-Noise Ratio	SNR	CC	–	70	–	dB	examination bandwidth < 25 kHz
Total Harmonic Distortion	THD	CC	–	70	–	dB	examination bandwidth < 25 kHz
Power Supply Rejection Ratio	PSRR	CC	–	56	–	dB	to $V_{DDA}$ verified by design

### Conversion Calculation

Unsigned:

$$DACxDATA = 4095 \times (V_{OUT} - V_{OUT\_MIN}) / (V_{OUT\_MAX} - V_{OUT\_MIN})$$

Signed:

$$DACxDATA = 4095 \times (V_{OUT} - V_{OUT\_MIN}) / (V_{OUT\_MAX} - V_{OUT\_MIN}) - 2048$$

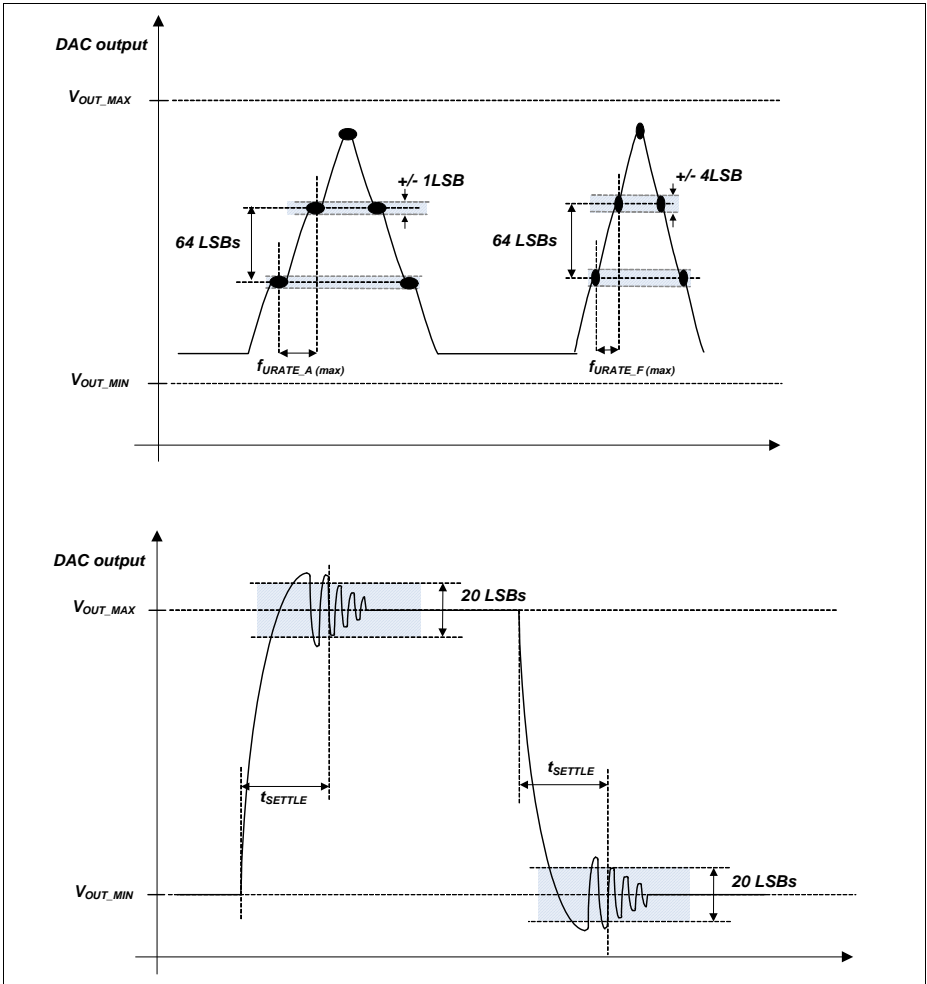


Figure 13 DAC Conversion Examples



### 3.2.4 Out-of-Range Comparator (ORC)

The Out-of-Range Comparator (ORC) triggers on analog input voltages ( $V_{AIN}$ ) above the analog reference<sup>1)</sup> ( $V_{AREF}$ ) on selected input pins (GxORCy) and generates a service request trigger (GxORCOUTy).

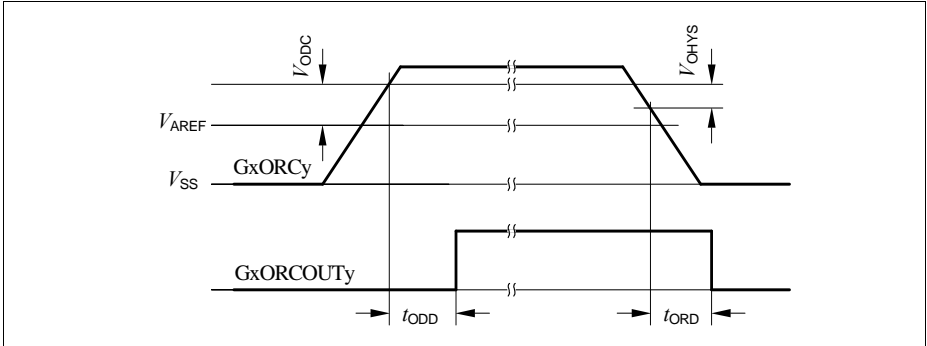
*Note: These parameters are not subject to production test, but verified by design and/or characterization.*

The parameters in **Table 27** apply for the maximum reference voltage  $V_{AREF} = V_{DDA} + 50$  mV.

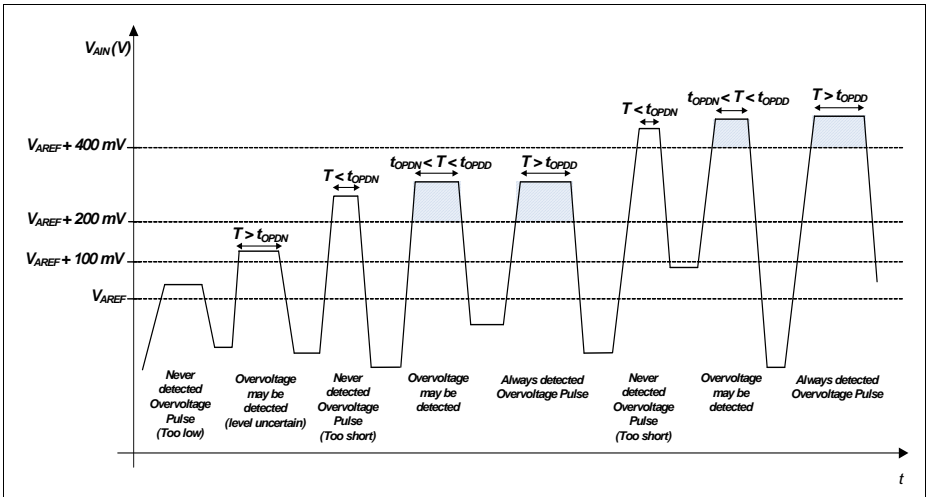
**Table 27 ORC Parameters** (Operating Conditions apply)

Parameter	Symbol		Values			Unit	Note / Test Condition
			Min.	Typ.	Max.		
DC Switching Level	$V_{ODC}$	CC	100	125	210	mV	$V_{AIN} \geq V_{AREF} + V_{ODC}$
Hysteresis	$V_{OHYS}$	CC	50	–	$V_{ODC}$	mV	
Detection Delay of a persistent Overvoltage	$t_{ODD}$	CC	50	–	450	ns	$V_{AIN} \geq V_{AREF} + 210$ mV
			45	–	105	ns	$V_{AIN} \geq V_{AREF} + 400$ mV
Always detected Overvoltage Pulse	$t_{OPDD}$	CC	440	–	–	ns	$V_{AIN} \geq V_{AREF} + 210$ mV
			90	–	–	ns	$V_{AIN} \geq V_{AREF} + 400$ mV
Never detected Overvoltage Pulse	$t_{OPDN}$	CC	–	–	45	ns	$V_{AIN} \geq V_{AREF} + 210$ mV
			–	–	30	ns	$V_{AIN} \geq V_{AREF} + 400$ mV
Release Delay	$t_{ORD}$	CC	65	–	105	ns	$V_{AIN} \leq V_{AREF}$
Enable Delay	$t_{OED}$	CC	–	100	200	ns	

1) Always the standard VADC reference, alternate references do not apply to the ORC.



**Figure 14 GxORCOUTy Trigger Generation**



**Figure 15 ORC Detection Ranges**

### 3.2.5 Die Temperature Sensor

The Die Temperature Sensor (DTS) measures the junction temperature  $T_J$ .

*Note: These parameters are not subject to production test, but verified by design and/or characterization.*

**Table 28 Die Temperature Sensor Parameters**

Parameter	Symbol	Values			Unit	Note / Test Condition
		Min.	Typ.	Max.		
Temperature sensor range	$T_{SR}$ SR	-40	–	150	°C	
Linearity Error (to the below defined formula)	$\Delta T_{LE}$ CC	–	±1	–	°C	per $\Delta T_J \leq 30$ °C
Offset Error	$\Delta T_{OE}$ CC	–	±6	–	°C	$\Delta T_{OE} = T_J - T_{DTS}$ $V_{DDP} \leq 3.3$ V <sup>1)</sup>
Measurement time	$t_M$ CC	–	–	100	µs	
Start-up time after reset inactive	$t_{TSST}$ SR	–	–	10	µs	

1) At  $V_{DDP\_max} = 3.63$  V the typical offset error increases by an additional  $\Delta T_{OE} = \pm 1$  °C.

The following formula calculates the temperature measured by the DTS in [°C] from the RESULT bit field of the DTSSTAT register.

$$\text{Temperature } T_{DTS} = (\text{RESULT} - 605) / 2.05 \text{ [°C]}$$

This formula and the values defined in [Table 28](#) apply with the following calibration values:

- DTSCON.BGTRIM = 8<sub>H</sub>
- DTSCON.REFTRIM = 4<sub>H</sub>

### 3.2.6 USB OTG Interface DC Characteristics

The Universal Serial Bus (USB) Interface is compliant to the USB Rev. 2.0 Specification and the OTG Specification Rev. 1.3. High-Speed Mode is not supported.

*Note: These parameters are not subject to production test, but verified by design and/or characterization.*

**Table 29 USB OTG VBUS and ID Parameters (Operating Conditions apply)**

Parameter	Symbol	Values			Unit	Note / Test Condition
		Min.	Typ.	Max.		
VBUS input voltage range	$V_{IN}$ CC	0.0	–	5.25	V	
A-device VBUS valid threshold	$V_{B1}$ CC	4.4	–	–	V	
A-device session valid threshold	$V_{B2}$ CC	0.8	–	2.0	V	
B-device session valid threshold	$V_{B3}$ CC	0.8	–	4.0	V	
B-device session end threshold	$V_{B4}$ CC	0.2	–	0.8	V	
VBUS input resistance to ground	$R_{VBUS\_IN}$ CC	40	–	100	kOhm	
B-device VBUS pull-up resistor	$R_{VBUS\_PU}$ CC	281	–	–	Ohm	Pull-up voltage = 3.0 V
B-device VBUS pull-down resistor	$R_{VBUS\_PD}$ CC	656	–	–	Ohm	
USB.ID pull-up resistor	$R_{UID\_PU}$ CC	14	–	25	kOhm	
VBUS input current	$I_{VBUS\_IN}$ CC	–	–	150	$\mu$ A	$0\text{ V} \leq V_{IN} \leq 5.25\text{ V}$ : $T_{AVG} = 1\text{ ms}$

**Table 30 USB OTG Data Line (USB\_DP, USB\_DM) Parameters** (Operating Conditions apply)

Parameter	Symbol	Values			Unit	Note / Test Condition
		Min.	Typ.	Max.		
Input low voltage	$V_{IL}$ SR	–	–	0.8	V	
Input high voltage (driven)	$V_{IH}$ SR	2.0	–	–	V	
Input high voltage (floating) <sup>1)</sup>	$V_{IHZ}$ SR	2.7	–	3.6	V	
Differential input sensitivity	$V_{DIS}$ CC	0.2	–	–	V	
Differential common mode range	$V_{CM}$ CC	0.8	–	2.5	V	
Output low voltage	$V_{OL}$ CC	0.0	–	0.3	V	1.5 kOhm pull-up to 3.6 V
Output high voltage	$V_{OH}$ CC	2.8	–	3.6	V	15 kOhm pull-down to 0 V
DP pull-up resistor (idle bus)	$R_{PUI}$ CC	900	–	1 575	Ohm	
DP pull-up resistor (upstream port receiving)	$R_{PUA}$ CC	1 425	–	3 090	Ohm	
DP, DM pull-down resistor	$R_{PD}$ CC	14.25	–	24.8	kOhm	
Input impedance DP, DM	$Z_{INP}$ CC	300	–	–	kOhm	$0 V \leq V_{IN} \leq V_{DDP}$
Driver output resistance DP, DM	$Z_{DRV}$ CC	28	–	44	Ohm	

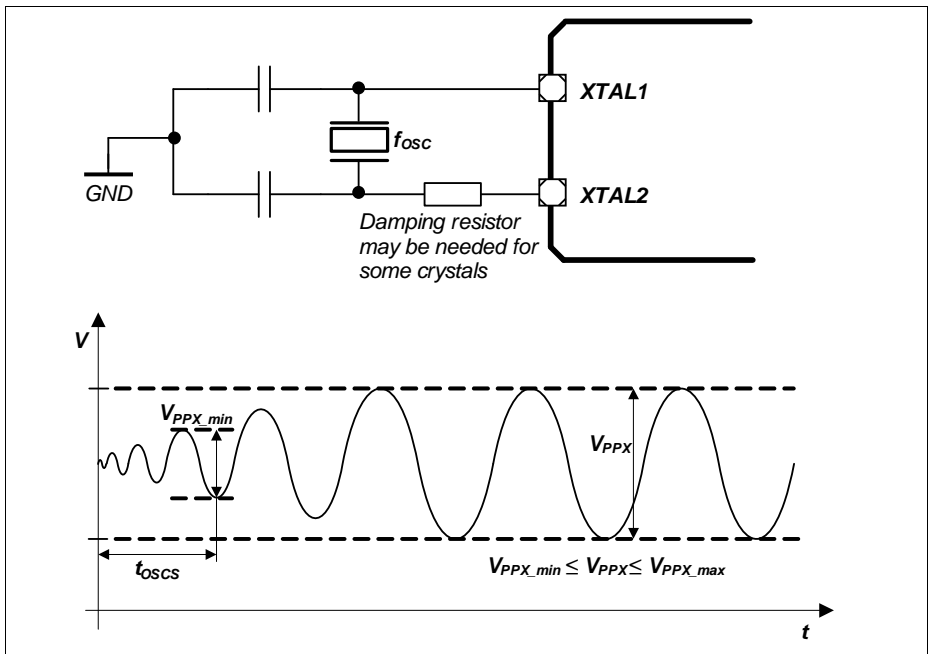
1) Measured at A-connector with 1.5 kOhm  $\pm$  5% to 3.3 V  $\pm$  0.3 V connected to USB\_DP or USB\_DM and at B-connector with 15 kOhm  $\pm$  5% to ground connected to USB\_DP and USB\_DM.

### 3.2.7 Oscillator Pins

*Note: It is strongly recommended to measure the oscillation allowance (negative resistance) in the final target system (layout) to determine the optimal parameters for the oscillator operation. Please refer to the limits specified by the crystal or ceramic resonator supplier.*

*Note: These parameters are not subject to production test, but verified by design and/or characterization.*

The oscillator pins can be operated with an external crystal (see [Figure 16](#)) or in direct input mode (see [Figure 17](#)).



**Figure 16 Oscillator in Crystal Mode**

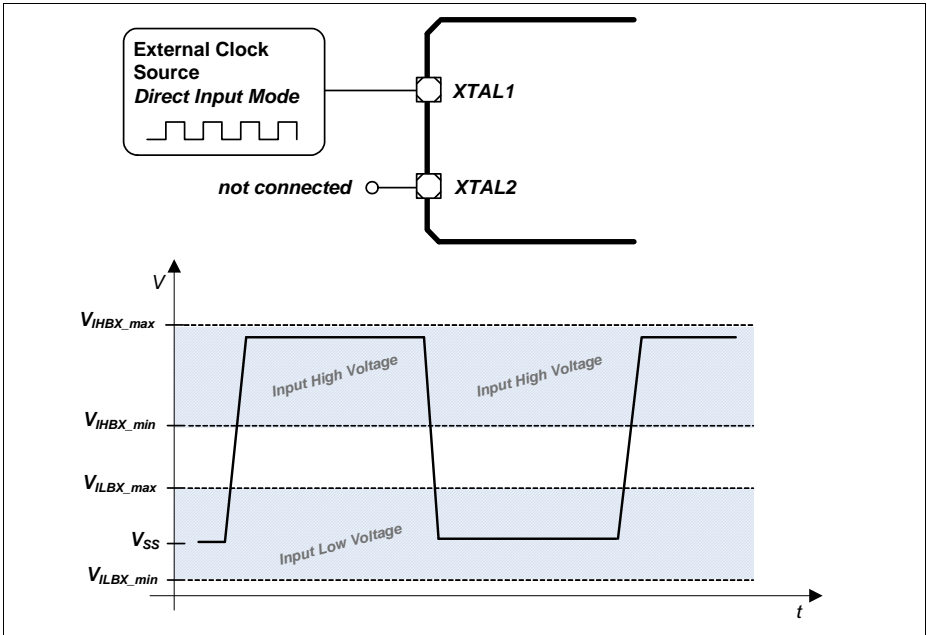


Figure 17 Oscillator in Direct Input Mode

**Table 31 OSC\_XTAL Parameters**

Parameter	Symbol	Values			Unit	Note / Test Condition
		Min.	Typ.	Max.		
Input frequency	$f_{\text{OSC}}$ SR	4	–	40	MHz	Direct Input Mode selected
		4	–	25	MHz	External Crystal Mode selected
Oscillator start-up time <sup>1)2)</sup>	$t_{\text{OSCS}}$ CC	–	–	10	ms	
Input voltage at XTAL1	$V_{\text{IX}}$ SR	-0.5	–	$V_{\text{DDP}} + 0.5$	V	
Input amplitude (peak-to-peak) at XTAL1 <sup>2)3)</sup>	$V_{\text{PPX}}$ SR	$0.4 \times V_{\text{DDP}}$	–	$V_{\text{DDP}} + 1.0$	V	
Input high voltage at XTAL1 <sup>4)</sup>	$V_{\text{IHBX}}$ SR	1.0	–	$V_{\text{DDP}} + 0.5$	V	
Input low voltage at XTAL1 <sup>4)</sup>	$V_{\text{ILBX}}$ SR	-0.5	–	0.4	V	
Input leakage current at XTAL1	$I_{\text{ILX1}}$ CC	-100	–	100	nA	Oscillator power down $0 \text{ V} \leq V_{\text{IX}} \leq V_{\text{DDP}}$

1)  $t_{\text{OSCS}}$  is defined from the moment the oscillator is enabled with SCU\_OSCHPCTRL.MODE until the oscillations reach an amplitude at XTAL1 of  $0.4 \cdot V_{\text{DDP}}$ .

2) The external oscillator circuitry must be optimized by the customer and checked for negative resistance and amplitude as recommended and specified by crystal suppliers.

3) If the shaper unit is enabled and not bypassed.

4) If the shaper unit is bypassed, dedicated DC-thresholds have to be met.



**Table 32 RTC\_XTAL Parameters**

Parameter	Symbol	Values			Unit	Note / Test Condition
		Min.	Typ.	Max.		
Input frequency	$f_{OSC}$ SR	–	32.768	–	kHz	
Oscillator start-up time <sup>1)2)3)</sup>	$t_{OSCS}$ CC	–	–	5	s	
Input voltage at RTC_XTAL1	$V_{IX}$ SR	-0.3	–	$V_{BAT} + 0.3$	V	
Input amplitude (peak-to-peak) at RTC_XTAL1 <sup>2)4)</sup>	$V_{PPX}$ SR	0.4	–	–	V	
Input high voltage at RTC_XTAL1 <sup>5)</sup>	$V_{IHBX}$ SR	$0.6 \times V_{BAT}$	–	$V_{BAT} + 0.3$	V	
Input low voltage at RTC_XTAL1 <sup>5)</sup>	$V_{ILBX}$ SR	-0.3	–	$0.36 \times V_{BAT}$	V	
Input Hysteresis for RTC_XTAL1 <sup>5)6)</sup>	$V_{HYSX}$ CC	$0.1 \times V_{BAT}$	–	–	V	$3.0 \text{ V} \leq V_{BAT} < 3.6 \text{ V}$
		$0.03 \times V_{BAT}$	–	–	V	$V_{BAT} < 3.0 \text{ V}$
Input leakage current at RTC_XTAL1	$I_{ILX1}$ CC	-100	–	100	nA	Oscillator power down $0 \text{ V} \leq V_{IX} \leq V_{BAT}$

- 1)  $t_{OSCS}$  is defined from the moment the oscillator is enabled by the user with SCU\_OSCULCTRL.MODE until the oscillations reach an amplitude at RTC\_XTAL1 of 400 mV.
- 2) The external oscillator circuitry must be optimized by the customer and checked for negative resistance and amplitude as recommended and specified by crystal suppliers.
- 3) For a reliable start of the oscillation in crystal mode it is required that  $V_{BAT} \geq 3.0 \text{ V}$ . A running oscillation is maintained across the full  $V_{BAT}$  voltage range.
- 4) If the shaper unit is enabled and not bypassed.
- 5) If the shaper unit is bypassed, dedicated DC-thresholds have to be met.
- 6) Hysteresis is implemented to avoid metastable states and switching due to internal ground bounce. It can not be guaranteed that it suppresses switching due to external system noise.

### 3.2.8 Power Supply Current

The total power supply current defined below consists of a leakage and a switching component.

Application relevant values are typically lower than those given in the following tables, and depend on the customer's system operating conditions (e.g. thermal connection or used application configurations).

*Note: These parameters are not subject to production test, but verified by design and/or characterization.*

If not stated otherwise, the operating conditions for the parameters in the following table are:

$$V_{DDP} = 3.3 \text{ V}, T_A = 25 \text{ }^\circ\text{C}$$

**Table 33 Power Supply Parameters**

Parameter	Symbol	Values			Unit	Note / Test Condition
		Min.	Typ.	Max.		
Active supply current <sup>(1)(1)</sup> Peripherals enabled Frequency: $f_{CPU}/f_{PERIPH}/f_{CCU}$ in MHz	$I_{DDPA}$ CC	–	135	–	mA	144 / 144 / 144
		–	125	–		144 / 72 / 72
		–	97	–		72 / 72 / 144
		–	80	–		24 / 24 / 24
		–	68	–		1 / 1 / 1
Active supply current Code execution from RAM Flash in Sleep mode	$I_{DDPA}$ CC	–	108	–	mA	144 / 144 / 144
		–	98	–		144 / 72 / 72
Active supply current <sup>(2)</sup> Peripherals disabled Frequency: $f_{CPU}/f_{PERIPH}/f_{CCU}$ in MHz	$I_{DDPA}$ CC	–	86	–	mA	144 / 144 / 144
		–	85	–		144 / 72 / 72
		–	70	–		72 / 72 / 144
		–	55	–		24 / 24 / 24
		–	50	–		1 / 1 / 1
Sleep supply current <sup>(3)</sup> Peripherals enabled Frequency: $f_{CPU}/f_{PERIPH}/f_{CCU}$ in MHz	$I_{DDPS}$ CC	–	127	–	mA	144 / 144 / 144
		–	115	–		144 / 72 / 72
		–	93	–		72 / 72 / 144
		–	57	–		24 / 24 / 24
		–	47	–		1 / 1 / 1
		$f_{CPU}/f_{PERIPH}/f_{CCU}$ in kHz	–	48		–

**Electrical Parameters**
**Table 33 Power Supply Parameters**

Parameter	Symbol	Values			Unit	Note / Test Condition
		Min.	Typ.	Max.		
Sleep supply current <sup>4)</sup> Peripherals disabled Frequency: $f_{CPU}/f_{PERIPH}/f_{CCU}$ in MHz	$I_{DDPS}$ CC	-	77	-	mA	144 / 144 / 144
		-	76	-		144 / 72 / 72
		-	65	-		72 / 72 / 144
		-	53	-		24 / 24 / 24
		-	46	-		1 / 1 / 1
		-	47	-		100 / 100 / 100
$f_{CPU}/f_{PERIPH}/f_{CCU}$ in kHz						
Deep Sleep supply current <sup>5)</sup> Flash in Sleep mode Frequency: $f_{CPU}/f_{PERIPH}/f_{CCU}$ in MHz $f_{CPU}/f_{PERIPH}/f_{CCU}$ in kHz	$I_{DDPD}$ CC	-	11	-	mA	24 / 24 / 24
		-	7.0	-		4 / 4 / 4
		-	6.6	-		1 / 1 / 1
		-	7.6	-		100 / 100 / 100 <sup>6)</sup>
Hibernate supply current RTC on <sup>7)</sup>	$I_{DDPH}$ CC	-	8.7	-	$\mu$ A	$V_{BAT} = 3.3$ V
		-	6.5	-		$V_{BAT} = 2.4$ V
		-	5.7	-		$V_{BAT} = 2.0$ V
Hibernate supply current RTC off <sup>8)</sup>	$I_{DDPH}$ CC	-	8.0	-	$\mu$ A	$V_{BAT} = 3.3$ V
		-	6.0	-		$V_{BAT} = 2.4$ V
		-	5.0	-		$V_{BAT} = 2.0$ V
Hibernate off <sup>9)</sup>	$I_{DDPH}$ CC	-	4.4	-	$\mu$ A	$V_{BAT} = 3.3$ V
		-	3.5	-		$V_{BAT} = 2.4$ V
		-	3.1	-		$V_{BAT} = 2.0$ V
Worst case active supply current <sup>10)</sup>	$I_{DDPA}$ CC	-	-	250 <sup>11)</sup>	mA	$V_{DDP} = 3.6$ V, $T_J = 150$ °C
$V_{DDA}$ power supply current	$I_{DDA}$ CC	-	-	- <sup>12)</sup>	mA	
$I_{DDP}$ current at PORST Low	$I_{DDP\_PORST}$ CC	-	5	10	mA	$V_{DDP} = 3.3$ V, $T_J = 25$ °C
		-	13	55	mA	$V_{DDP} = 3.6$ V, $T_J = 150$ °C
Power Dissipation	$P_{DISS}$ CC	-	-	1.4	W	$V_{DDP} = 3.6$ V, $T_J = 150$ °C

**Table 33 Power Supply Parameters**

Parameter	Symbol	Values			Unit	Note / Test Condition
		Min.	Typ.	Max.		
Wake-up time from Sleep to Active mode	$t_{SSA}$ CC	–	6	–	cycles	
Wake-up time from Deep Sleep to Active mode		–	–	–	ms	Defined by the wake-up of the Flash module, see <a href="#">Section 3.2.9</a>
Wake-up time from Hibernate mode		–	–	–	ms	Wake-up via power-on reset event, see <a href="#">Section 3.3.2</a>

- 1) CPU executing code from Flash, all peripherals idle.
- 2) CPU executing code from Flash.
- 3) CPU in sleep, all peripherals idle, Flash in Active mode.
- 4) CPU in sleep, Flash in Active mode.
- 5) CPU in sleep, peripherals disabled, after wake-up code execution from RAM.
- 6) To wake-up the Flash from its Sleep mode,  $f_{CPU} \geq 1$  MHz is required.
- 7) OSC\_ULP operating with external crystal on RTC\_XTAL
- 8) OSC\_ULP off, Hibernate domain operating with OSC\_SI clock
- 9)  $V_{BAT}$  supplied, but Hibernate domain not started; for example state after factory assembly
- 10) Test Power Loop:  $f_{SYS} = 144$  MHz, CPU executing benchmark code from Flash, all CCUs in 100kHz timer mode, all ADC groups in continuous conversion mode, USICs as SPI in internal loop-back mode, CAN in 500kHz internal loop-back mode, interrupt triggered DMA block transfers to parity protected RAMs and FCE, DTS measurements and FPU calculations.  
The power consumption of each customer application will most probably be lower than this value, but must be evaluated separately.
- 11)  $I_{DDP}$  decreases typically by approximately 5 mA when  $f_{SYS}$  decreases by 10 MHz, at constant  $T_J$
- 12) Sum of currents of all active converters (ADC and DAC)

### Peripheral Idle Currents

Default test conditions:

- $f_{\text{sys}}$  and derived clocks at 144 MHz
- $V_{\text{DDP}} = 3.3 \text{ V}$ ,  $T_a = 25 \text{ °C}$
- all peripherals are held in reset (see the PRSTAT registers in the Reset Control Unit of the SCU)
- the peripheral clocks are disabled (see CGATSTAT registers in the Clock Control Unit of the SCU)
- no I/O activity

The given values are a result of differential measurements with asserted and deasserted peripheral reset as well as disabled and enabled clock of the peripheral under test.

The tested peripheral is left in the state after the peripheral reset is deasserted, no further initialisation or configuration is done. E.g. no timer is running in the CCUs, no communication active in the USICs, etc.

**Table 34 Peripheral Idle Currents**

Parameter	Symbol	Values			Unit	Note / Test Condition
		Min.	Typ.	Max.		
PORTS FCE WDT	$I_{\text{PER CC}}$	–	≤ 0.3	–	mA	
MultiCAN ERU LEDTSCU0 ETH CCU4x <sup>1)</sup> , CCU8x <sup>1)</sup>		–	≤ 1.0	–		
DAC (digital) <sup>2)</sup>		–	1.3	–		
USICx SDMMC		–	3.0	–		
VADC (digital) <sup>2)</sup>		–	4.5	–		
DMA0, USB, EtherCAT		–	6.0	–		

1) Enabling the  $f_{\text{CCU}}$  clock for the CCU4x/CCU8x modules adds approximately  $I_{\text{PER}} = 4.8 \text{ mA}$ , disregarding which and how many of those peripherals are enabled.

2) The current consumption of the analog components are given in the dedicated Data Sheet sections of the respective peripheral.

### 3.2.9 Flash Memory Parameters

*Note: These parameters are not subject to production test, but verified by design and/or characterization.*

**Table 35 Flash Memory Parameters**

Parameter	Symbol	Values			Unit	Note / Test Condition
		Min.	Typ.	Max.		
Erase Time per 256 Kbyte Sector	$t_{ERP}$ CC	–	5	5.5	s	
Erase Time per 64 Kbyte Sector	$t_{ERP}$ CC	–	1.2	1.4	s	
Erase Time per 16 Kbyte Logical Sector	$t_{ERP}$ CC	–	0.3	0.4	s	
Program time per page <sup>1)</sup>	$t_{PRP}$ CC	–	5.5	11	ms	
Erase suspend delay	$t_{FL\_ErSusp}$ CC	–	–	15	ms	
Wait time after margin change	$t_{FL\_MarginDel}$ CC	10	–	–	$\mu$ s	
Wake-up time	$t_{WU}$ CC	–	–	270	$\mu$ s	
Read access time	$t_a$ CC	22	–	–	ns	For operation with $1/f_{CPU} < t_a$ wait states must be configured <sup>2)</sup>
Data Retention Time, Physical Sector <sup>3)4)</sup>	$t_{RET}$ CC	20	–	–	years	Max. 1000 erase/program cycles
Data Retention Time, Logical Sector <sup>3)4)</sup>	$t_{RETL}$ CC	20	–	–	years	Max. 100 erase/program cycles
Data Retention Time, User Configuration Block (UCB) <sup>3)4)</sup>	$t_{RTU}$ CC	20	–	–	years	Max. 4 erase/program cycles per UCB
Endurance on 64 Kbyte Physical Sector PS4	$N_{EPS4}$ CC	10000	–	–	cycles	Cycling distributed over life time <sup>5)</sup>

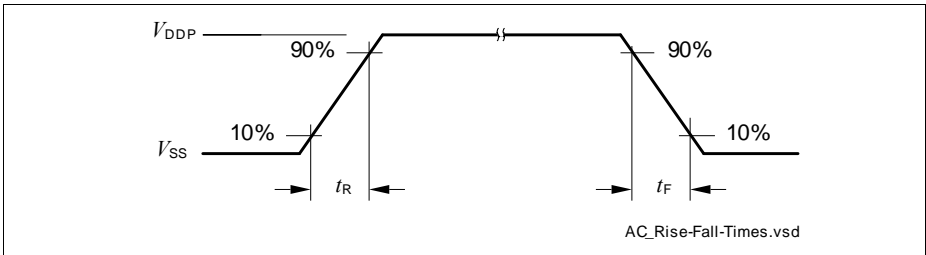
---

**Electrical Parameters**

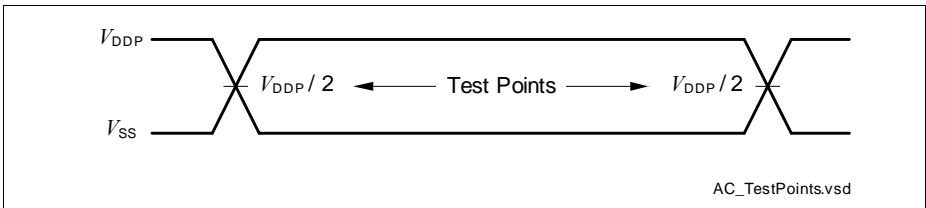
- 1) In case the Program Verify feature detects weak bits, these bits will be programmed once more. The reprogramming takes an additional time of 5.5 ms.
- 2) The following formula applies to the wait state configuration:  $FCON.WSPFLASH \times (1 / f_{CPU}) \geq t_a$ .
- 3) Storage and inactive time included.
- 4) Values given are valid for an average weighted junction temperature of  $T_J = 110^\circ\text{C}$ .
- 5) Only valid with robust EEPROM emulation algorithm, equally cycling the logical sectors. For more details see the Reference Manual.

### 3.3 AC Parameters

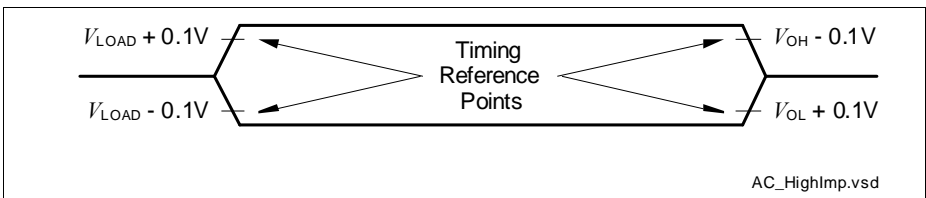
#### 3.3.1 Testing Waveforms



**Figure 18 Rise/Fall Time Parameters**



**Figure 19 Testing Waveform, Output Delay**



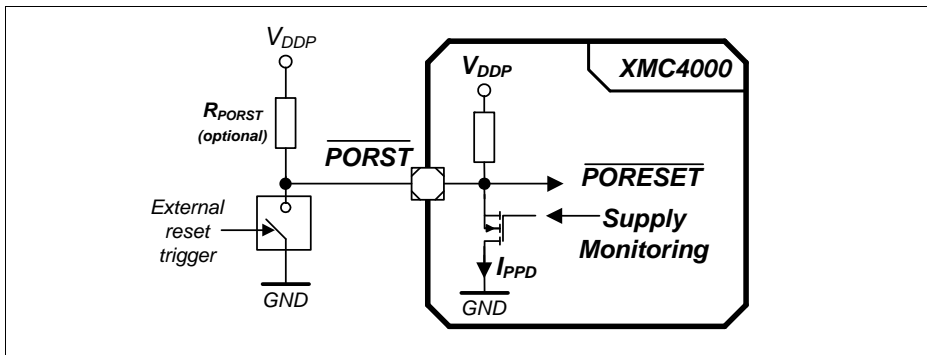
**Figure 20 Testing Waveform, Output High Impedance**



### 3.3.2 Power-Up and Supply Monitoring

$\overline{\text{PORST}}$  is always asserted when  $V_{\text{DDP}}$  and/or  $V_{\text{DDC}}$  violate the respective thresholds.

*Note: These parameters are not subject to production test, but verified by design and/or characterization.*



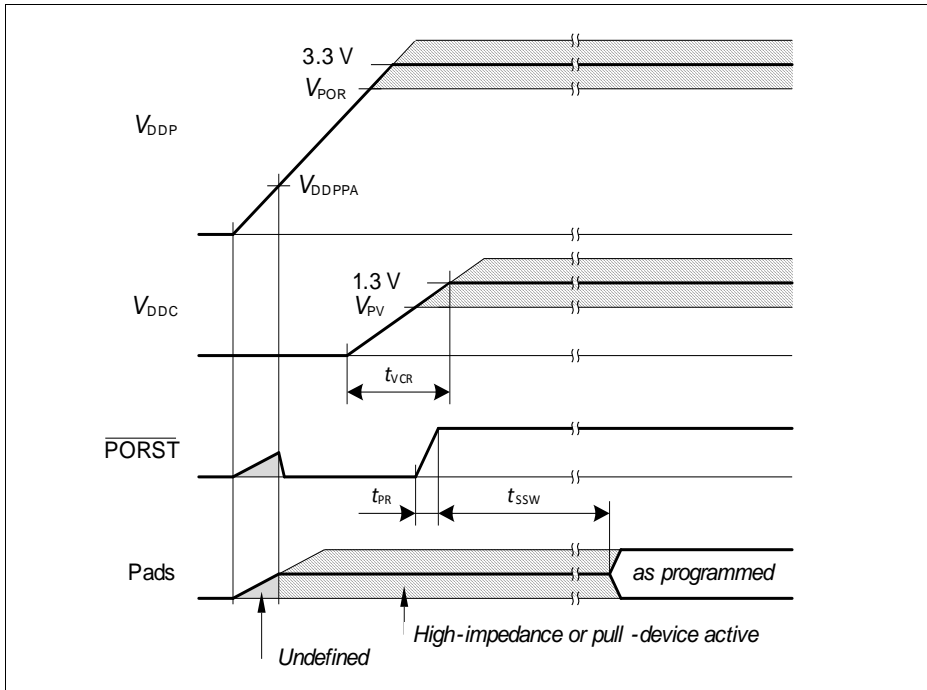
**Figure 21**  $\overline{\text{PORST}}$  Circuit

**Table 36** Supply Monitoring Parameters

Parameter	Symbol	Values			Unit	Note / Test Condition
		Min.	Typ.	Max.		
Digital supply voltage reset threshold	$V_{\text{POR}}$ CC	2.79 <sup>1)</sup>	–	3.05 <sup>2)</sup>	V	3)
Core supply voltage reset threshold	$V_{\text{PV}}$ CC	–	–	1.17	V	
$V_{\text{DDP}}$ voltage to ensure defined pad states	$V_{\text{DDPPA}}$ CC	–	1.0	–	V	
$\overline{\text{PORST}}$ rise time	$t_{\text{PR}}$ SR	–	–	2	$\mu\text{s}$	4)
Startup time from power-on reset with code execution from Flash	$t_{\text{SSW}}$ CC	–	2.5	3.5	ms	Time to the first user code instruction
$V_{\text{DDC}}$ ramp up time	$t_{\text{VCR}}$ CC	–	550	–	$\mu\text{s}$	Ramp up after power-on or after a reset triggered by a violation of $V_{\text{POR}}$ or $V_{\text{PV}}$

1) Minimum threshold for reset assertion.

- 2) Maximum threshold for reset deassertion.
- 3) The  $V_{DDP}$  monitoring has a typical hysteresis of  $V_{PORHYS} = 180$  mV.
- 4) If  $t_{PR}$  is not met, low spikes on  $\overline{PORST}$  may be seen during start up (e.g. reset pulses generated by the supply monitoring due to a slow ramping  $V_{DDP}$ ).



**Figure 22 Power-Up Behavior**

### 3.3.3 Power Sequencing

While starting up and shutting down as well as when switching power modes of the system it is important to limit the current load steps. A typical cause for such load steps is changing the CPU frequency  $f_{CPU}$ . Load steps exceeding the below defined values may cause a power on reset triggered by the supply monitor.

*Note: These parameters are not subject to production test, but verified by design and/or characterization.*

**Table 37 Power Sequencing Parameters**

Parameter	Symbol	Values			Unit	Note / Test Condition
		Min.	Typ.	Max.		
Positive Load Step Current	$\Delta I_{PLS}$ SR	-	-	50	mA	Load increase on $V_{DDP}$ $\Delta t \leq 10$ ns
Negative Load Step Current	$\Delta I_{NLS}$ SR	-	-	150	mA	Load decrease on $V_{DDP}$ $\Delta t \leq 10$ ns
$V_{DDC}$ Voltage Over- / Undershoot from Load Step	$\Delta V_{LS}$ CC	-	-	$\pm 100$	mV	For maximum positive or negative load step
Positive Load Step Settling Time	$t_{PLSS}$ SR	50	-	-	$\mu$ s	
Negative Load Step Settling Time	$t_{NLSS}$ SR	100	-	-	$\mu$ s	
External Buffer Capacitor on $V_{DDC}$	$C_{EXT}$ SR	-	10	-	$\mu$ F	In addition $C = 100$ nF capacitor on each $V_{DDC}$ pin

### Positive Load Step Examples

System assumptions:

$f_{CPU} = f_{SYS}$ , target frequency  $f_{CPU} = 144$  MHz, main PLL  $f_{VCO} = 288$  MHz, stepping done by K2 divider,  $t_{PLSS}$  between individual steps:

24 MHz - 48 MHz - 72 MHz - 96 MHz - 144 MHz (K2 steps 12 - 6 - 4 - 3 - 2)

24 MHz - 48 MHz - 96 MHz - 144 MHz (K2 steps 12 - 6 - 3 - 2)

24 MHz - 72 MHz - 144 MHz (K2 steps 12 - 4 - 2)

### 3.3.4 Phase Locked Loop (PLL) Characteristics

*Note: These parameters are not subject to production test, but verified by design and/or characterization.*

#### Main and USB PLL

**Table 38 PLL Parameters**

Parameter	Symbol	Values			Unit	Note / Test Condition
		Min.	Typ.	Max.		
Accumulated Jitter	$D_P$ CC	–	–	±5	ns	accumulated over 300 cycles $f_{SYS} = 144$ MHz
Duty Cycle <sup>1)</sup>	$D_{DC}$ CC	46	50	54	%	Low pulse to total period, assuming an ideal input clock source
PLL base frequency	$f_{PLLBASE}$ CC	30	–	140	MHz	
VCO input frequency	$f_{REF}$ CC	4	–	16	MHz	
VCO frequency range	$f_{VCO}$ CC	260	–	520	MHz	
PLL lock-in time	$t_L$ CC	–	–	400	μs	

1) 50% for even K2 divider values, 50±(10/K2) for odd K2 divider values.

### 3.3.5 Internal Clock Source Characteristics

*Note: These parameters are not subject to production test, but verified by design and/or characterization.*

#### Fast Internal Clock Source

**Table 39 Fast Internal Clock Parameters**

Parameter	Symbol	Values			Unit	Note / Test Condition
		Min.	Typ.	Max.		
Nominal frequency	$f_{\text{OFINC}}$ CC	–	36.5	–	MHz	not calibrated
		–	24	–	MHz	calibrated
Accuracy	$\Delta f_{\text{OFI}}$ CC	-0.5	–	0.5	%	automatic calibration <sup>1)2)</sup>
		-15	–	15	%	factory calibration, $V_{\text{DDP}} = 3.3 \text{ V}$
		-25	–	25	%	no calibration, $V_{\text{DDP}} = 3.3 \text{ V}$
		-7	–	7	%	Variation over voltage range <sup>3)</sup> $3.13 \text{ V} \leq V_{\text{DDP}} \leq 3.63 \text{ V}$
Start-up time	$t_{\text{OFIS}}$ CC	–	50	–	$\mu\text{s}$	

1) Error in addition to the accuracy of the reference clock.

2) Automatic calibration compensates variations of the temperature and in the  $V_{\text{DDP}}$  supply voltage.

3) Deviations from the nominal  $V_{\text{DDP}}$  voltage induce an additional error to the uncalibrated and/or factory calibrated oscillator frequency.

**Slow Internal Clock Source**

**Table 40 Slow Internal Clock Parameters**

Parameter	Symbol	Values			Unit	Note / Test Condition
		Min.	Typ.	Max.		
Nominal frequency	$f_{OSI}$ CC	–	32.768	–	kHz	
Accuracy	$\Delta f_{OSI}$ CC	-4	–	4	%	$V_{BAT} = \text{const.}$ $0\text{ }^{\circ}\text{C} \leq T_A \leq 85\text{ }^{\circ}\text{C}$
		-5	–	5	%	$V_{BAT} = \text{const.}$ $T_A < 0\text{ }^{\circ}\text{C}$ or $T_A > 85\text{ }^{\circ}\text{C}$
		-5	–	5	%	$2.4\text{ V} \leq V_{BAT}$ , $T_A = 25\text{ }^{\circ}\text{C}$
		-10	–	10	%	$1.95\text{ V} \leq V_{BAT} < 2.4\text{ V}$ , $T_A = 25\text{ }^{\circ}\text{C}$
Start-up time	$t_{OSIS}$ CC	–	50	–	$\mu\text{s}$	

### 3.3.6 JTAG Interface Timing

The following parameters are applicable for communication through the JTAG debug interface. The JTAG module is fully compliant with IEEE1149.1-2000.

*Note: These parameters are not subject to production test, but verified by design and/or characterization.*

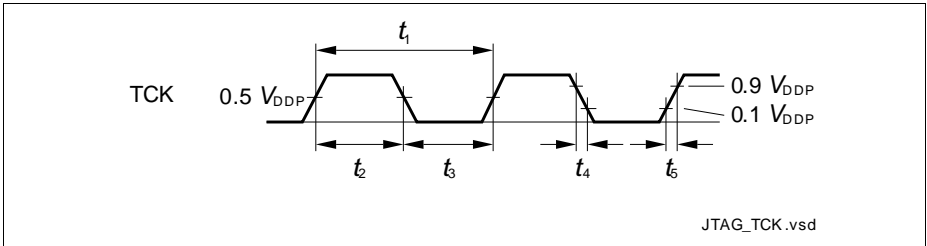
*Note: Operating conditions apply.*

**Table 41 JTAG Interface Timing Parameters**

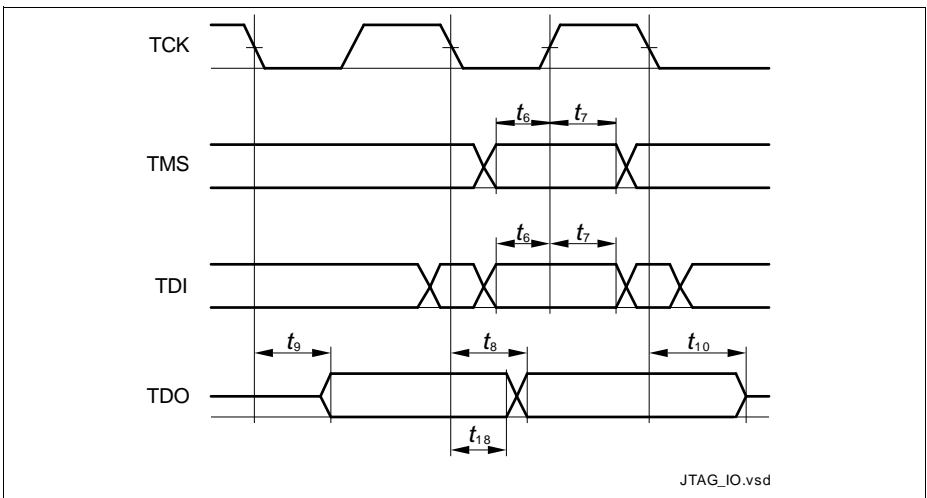
Parameter	Symbol	Values			Unit	Note / Test Condition
		Min.	Typ.	Max.		
TCK clock period	$t_1$ SR	25	–	–	ns	
TCK high time	$t_2$ SR	10	–	–	ns	
TCK low time	$t_3$ SR	10	–	–	ns	
TCK clock rise time	$t_4$ SR	–	–	4	ns	
TCK clock fall time	$t_5$ SR	–	–	4	ns	
TDI/TMS setup to TCK rising edge	$t_6$ SR	6	–	–	ns	
TDI/TMS hold after TCK rising edge	$t_7$ SR	6	–	–	ns	
TDO valid after TCK falling edge <sup>1)</sup> (propagation delay)	$t_8$ CC	–	–	13	ns	$C_L = 50$ pF
		3	–	–	ns	$C_L = 20$ pF
TDO hold after TCK falling edge <sup>1)</sup>	$t_{18}$ CC	2	–	–	ns	
TDO high imped. to valid from TCK falling edge <sup>1)2)</sup>	$t_9$ CC	–	–	14	ns	$C_L = 50$ pF
TDO valid to high imped. from TCK falling edge <sup>1)</sup>	$t_{10}$ CC	–	–	13.5	ns	$C_L = 50$ pF

1) The falling edge on TCK is used to generate the TDO timing.

2) The setup time for TDO is given implicitly by the TCK cycle time.



**Figure 23 Test Clock Timing (TCK)**



**Figure 24 JTAG Timing**



### 3.3.7 Serial Wire Debug Port (SW-DP) Timing

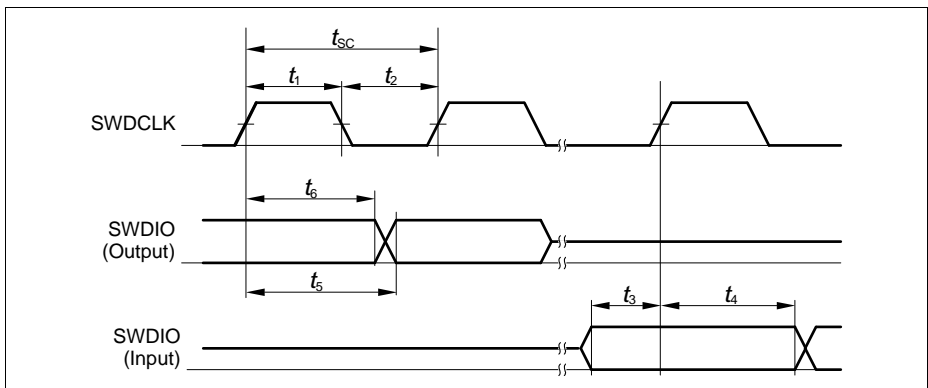
The following parameters are applicable for communication through the SW-DP interface.

*Note: These parameters are not subject to production test, but verified by design and/or characterization.*

*Note: Operating conditions apply.*

**Table 42 SWD Interface Timing Parameters (Operating Conditions apply)**

Parameter	Symbol	SR	Values			Unit	Note / Test Condition
			Min.	Typ.	Max.		
SWDCLK clock period	$t_{SC}$	SR	25	–	–	ns	$C_L = 30$ pF
			40	–	–	ns	$C_L = 50$ pF
SWDCLK high time	$t_1$	SR	10	–	500000	ns	
SWDCLK low time	$t_2$	SR	10	–	500000	ns	
SWDIO input setup to SWDCLK rising edge	$t_3$	SR	6	–	–	ns	
SWDIO input hold after SWDCLK rising edge	$t_4$	SR	6	–	–	ns	
SWDIO output valid time after SWDCLK rising edge	$t_5$	CC	–	–	17	ns	$C_L = 50$ pF
			–	–	13	ns	$C_L = 30$ pF
SWDIO output hold time from SWDCLK rising edge	$t_6$	CC	3	–	–	ns	



**Figure 25 SWD Timing**

### 3.3.8 Peripheral Timing

#### 3.3.8.1 Synchronous Serial Interface (USIC SSC) Timing

The following parameters are applicable for a USIC channel operated in SSC mode.

*Note: These parameters are not subject to production test, but verified by design and/or characterization.*

**Table 43 USIC SSC Master Mode Timing**

Parameter	Symbol	Values			Unit	Note / Test Condition
		Min.	Typ.	Max.		
SCLKOUT master clock period	$t_{CLK}$ CC	33.3	–	–	ns	
Slave select output SELO active to first SCLKOUT transmit edge	$t_1$ CC	$t_{PB} - 6.5^{1)}$	–	–	ns	
Slave select output SELO inactive after last SCLKOUT receive edge	$t_2$ CC	$t_{PB} - 8.5^{1)}$	–	–	ns	
Data output DOUT[3:0] valid time	$t_3$ CC	-6	–	8	ns	
Receive data input DX0/DX[5:3] setup time to SCLKOUT receive edge	$t_4$ SR	23	–	–	ns	
Data input DX0/DX[5:3] hold time from SCLKOUT receive edge	$t_5$ SR	1	–	–	ns	

1)  $t_{PB} = 1 / f_{PB}$

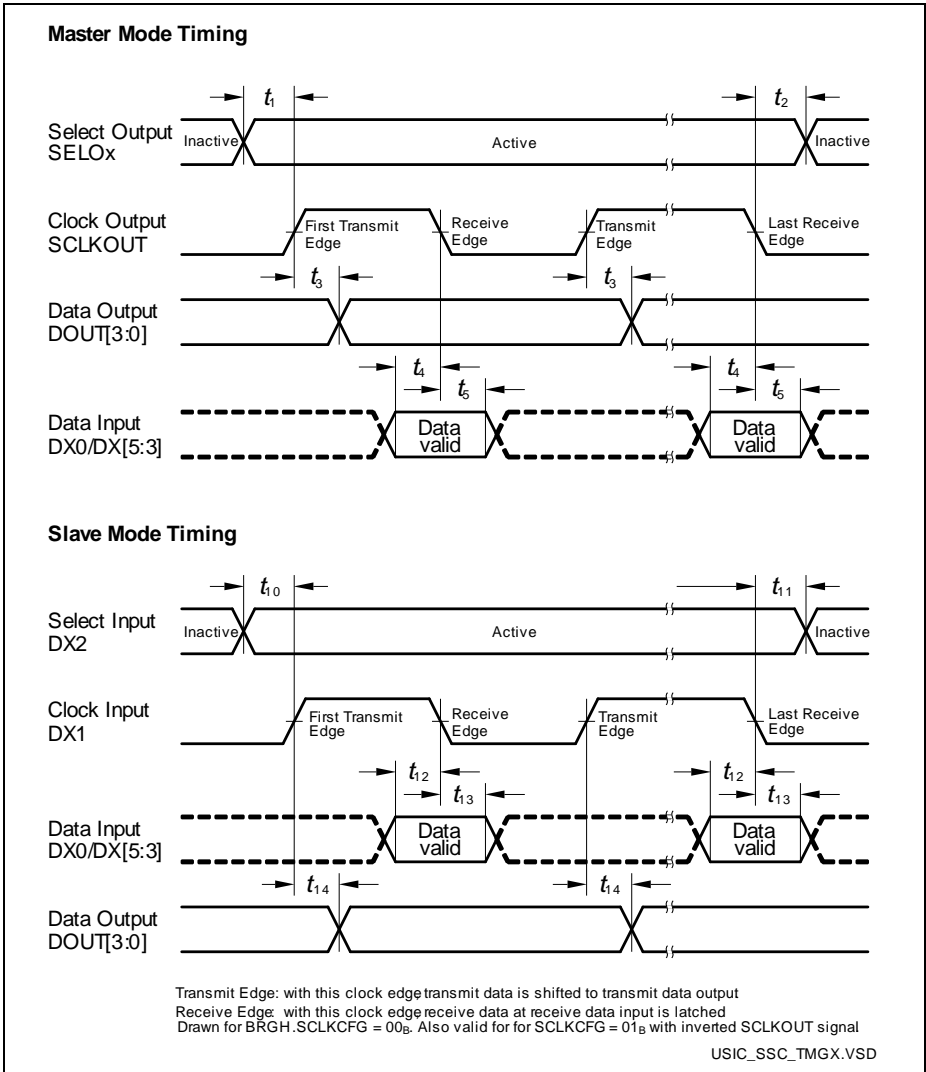
**Table 44 USIC SSC Slave Mode Timing**

Parameter	Symbol	Values			Unit	Note / Test Condition
		Min.	Typ.	Max.		
DX1 slave clock period	$t_{CLK}$ SR	66.6	–	–	ns	
Select input DX2 setup to first clock input DX1 transmit edge <sup>1)</sup>	$t_{10}$ SR	3	–	–	ns	

**Table 44 USIC SSC Slave Mode Timing**

Parameter	Symbol	Values			Unit	Note / Test Condition
		Min.	Typ.	Max.		
Select input DX2 hold after last clock input DX1 receive edge <sup>1)</sup>	$t_{11}$ SR	4	–	–	ns	
Receive data input DX0/DX[5:3] setup time to shift clock receive edge <sup>1)</sup>	$t_{12}$ SR	6	–	–	ns	
Data input DX0/DX[5:3] hold time from clock input DX1 receive edge <sup>1)</sup>	$t_{13}$ SR	4	–	–	ns	
Data output DOUT[3:0] valid time	$t_{14}$ CC	0	–	24	ns	

1) This input timing is valid for asynchronous input signal handling of slave select input, shift clock input, and receive data input (bits DXnCR.DSEN = 0).



**Figure 26 USIC - SSC Master/Slave Mode Timing**

*Note: This timing diagram shows a standard configuration, for which the slave select signal is low-active, and the serial clock signal is not shifted and not inverted.*

### 3.3.8.2 Inter-IC (IIC) Interface Timing

The following parameters are applicable for a USIC channel operated in IIC mode.

*Note: These parameters are not subject to production test, but verified by design and/or characterization.*

**Table 45 USIC IIC Standard Mode Timing<sup>1)</sup>**

Parameter	Symbol	Values			Unit	Note / Test Condition
		Min.	Typ.	Max.		
Fall time of both SDA and SCL	$t_1$ CC/SR	-	-	300	ns	
Rise time of both SDA and SCL	$t_2$ CC/SR	-	-	1000	ns	
Data hold time	$t_3$ CC/SR	0	-	-	μs	
Data set-up time	$t_4$ CC/SR	250	-	-	ns	
LOW period of SCL clock	$t_5$ CC/SR	4.7	-	-	μs	
HIGH period of SCL clock	$t_6$ CC/SR	4.0	-	-	μs	
Hold time for (repeated) START condition	$t_7$ CC/SR	4.0	-	-	μs	
Set-up time for repeated START condition	$t_8$ CC/SR	4.7	-	-	μs	
Set-up time for STOP condition	$t_9$ CC/SR	4.0	-	-	μs	
Bus free time between a STOP and START condition	$t_{10}$ CC/SR	4.7	-	-	μs	
Capacitive load for each bus line	$C_b$ SR	-	-	400	pF	

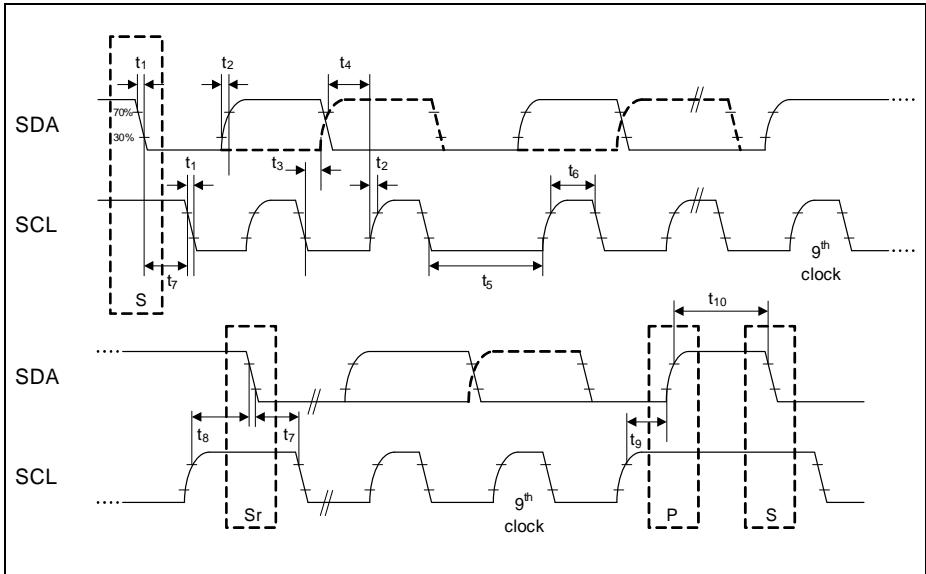
1) Due to the wired-AND configuration of an IIC bus system, the port drivers of the SCL and SDA signal lines need to operate in open-drain mode. The high level on these lines must be held by an external pull-up device, approximately 10 kOhm for operation at 100 kbit/s, approximately 2 kOhm for operation at 400 kbit/s.

**Table 46 USIC IIC Fast Mode Timing<sup>1)</sup>**

Parameter	Symbol	Values			Unit	Note / Test Condition
		Min.	Typ.	Max.		
Fall time of both SDA and SCL	$t_1$ CC/SR	20 + 0.1 * $C_b$ 2)	-	300	ns	
Rise time of both SDA and SCL	$t_2$ CC/SR	20 + 0.1 * $C_b$ 2)	-	300	ns	
Data hold time	$t_3$ CC/SR	0	-	-	μs	
Data set-up time	$t_4$ CC/SR	100	-	-	ns	
LOW period of SCL clock	$t_5$ CC/SR	1.3	-	-	μs	
HIGH period of SCL clock	$t_6$ CC/SR	0.6	-	-	μs	
Hold time for (repeated) START condition	$t_7$ CC/SR	0.6	-	-	μs	
Set-up time for repeated START condition	$t_8$ CC/SR	0.6	-	-	μs	
Set-up time for STOP condition	$t_9$ CC/SR	0.6	-	-	μs	
Bus free time between a STOP and START condition	$t_{10}$ CC/SR	1.3	-	-	μs	
Capacitive load for each bus line	$C_b$ SR	-	-	400	pF	

1) Due to the wired-AND configuration of an IIC bus system, the port drivers of the SCL and SDA signal lines need to operate in open-drain mode. The high level on these lines must be held by an external pull-up device, approximately 10 kOhm for operation at 100 kbit/s, approximately 2 kOhm for operation at 400 kbit/s.

2)  $C_b$  refers to the total capacitance of one bus line in pF.



**Figure 27 USIC IIC Stand and Fast Mode Timing**

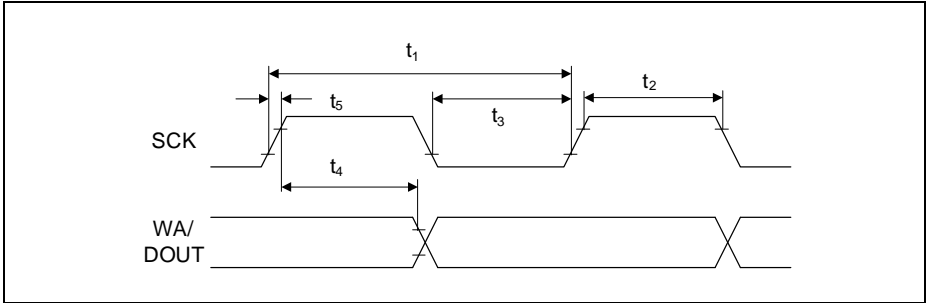
### 3.3.8.3 Inter-IC Sound (IIS) Interface Timing

The following parameters are applicable for a USIC channel operated in IIS mode.

*Note: These parameters are not subject to production test, but verified by design and/or characterization.*

**Table 47 USIC IIS Master Transmitter Timing**

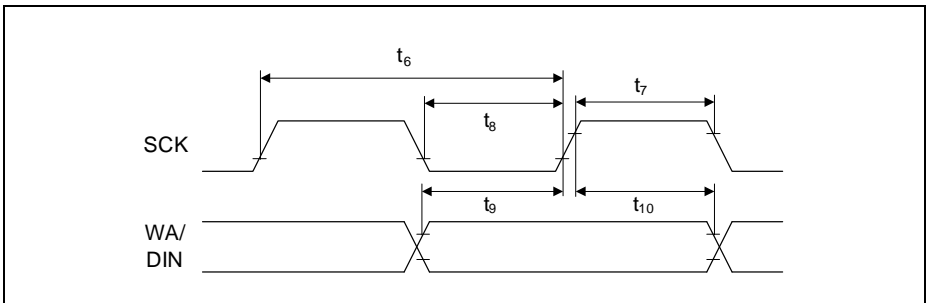
Parameter	Symbol	Values			Unit	Note / Test Condition
		Min.	Typ.	Max.		
Clock period	$t_1$ CC	33.3	–	–	ns	
Clock high time	$t_2$ CC	0.35 x $t_{1min}$	–	–	ns	
Clock low time	$t_3$ CC	0.35 x $t_{1min}$	–	–	ns	
Hold time	$t_4$ CC	0	–	–	ns	
Clock rise time	$t_5$ CC	–	–	0.15 x $t_{1min}$	ns	



**Figure 28 USIC IIS Master Transmitter Timing**

**Table 48 USIC IIS Slave Receiver Timing**

Parameter	Symbol	Values			Unit	Note / Test Condition
		Min.	Typ.	Max.		
Clock period	$t_6$ SR	66.6	—	—	ns	
Clock high time	$t_7$ SR	$0.35 \times t_{6min}$	—	—	ns	
Clock low time	$t_8$ SR	$0.35 \times t_{6min}$	—	—	ns	
Set-up time	$t_9$ SR	$0.2 \times t_{6min}$	—	—	ns	
Hold time	$t_{10}$ SR	0	—	—	ns	



**Figure 29 USIC IIS Slave Receiver Timing**



### 3.3.8.4 SDMMC Interface Timing

*Note: These parameters are not subject to production test, but verified by design and/or characterization.*

*Note: Operating Conditions apply, total external capacitive load  $C_L = 40$  pF.*

#### AC Timing Specifications (Full-Speed Mode)

**Table 49 SDMMC Timing for Full-Speed Mode**

Parameter	Symbol	Values	Unit		Note/ Test Condition
			Min.	Max.	
Clock frequency in full speed transfer mode ( $1/t_{pp}$ )	$f_{pp}$ CC	0	24	MHz	
Clock cycle in full speed transfer mode	$t_{pp}$ CC	40	–	ns	
Clock low time	$t_{WL}$ CC	10	–	ns	
Clock high time	$t_{WH}$ CC	10	–	ns	
Clock rise time	$t_{TLH}$ CC	–	10	ns	
Clock fall time	$t_{THL}$ CC	–	10	ns	
Inputs setup to clock rising edge	$t_{ISU\_F}$ SR	2	–	ns	
Inputs hold after clock rising edge	$t_{IH\_F}$ SR	2	–	ns	
Outputs valid time in full speed mode	$t_{ODLY\_F}$ CC	–	10	ns	
Outputs hold time in full speed mode	$t_{OH\_F}$ CC	0	–	ns	

**Table 50 SD Card Bus Timing for Full-Speed Mode<sup>1)</sup>**

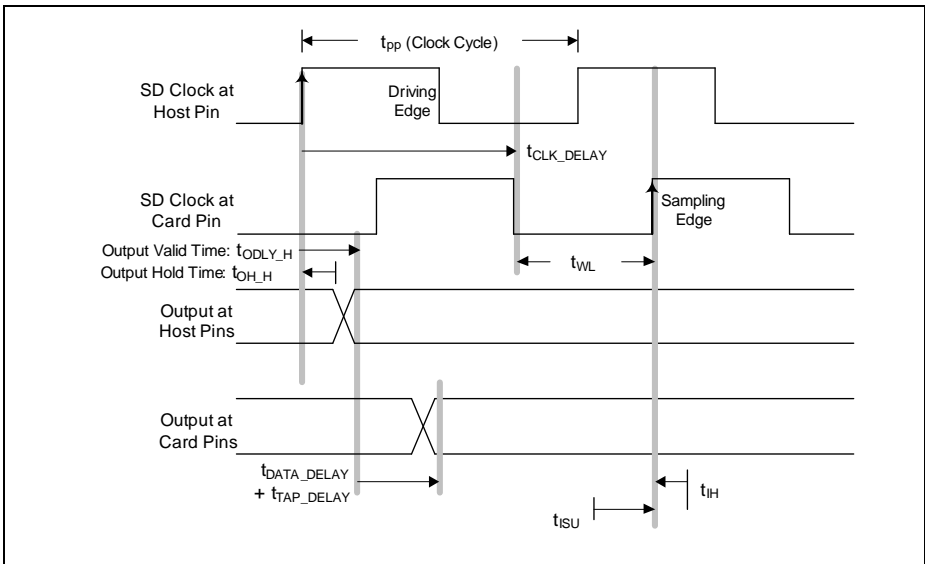
Parameter	Symbol	Values		Unit	Note/ Test Condition
		Min.	Max.		
SD card input setup time	$t_{ISU}$	5	–	ns	
SD card input hold time	$t_{IH}$	5	–	ns	

**Table 50 SD Card Bus Timing for Full-Speed Mode<sup>1)</sup> (cont'd)**

Parameter	Symbol	Values		Unit	Note/ Test Condition
		Min.	Max.		
SD card output valid time	$t_{ODLY}$	–	14	ns	
SD card output hold time	$t_{OH}$	0	–	ns	

1) Reference card timing values for calculation examples. Not subject to production test and not characterized.

**Full-Speed Output Path (Write)**



**Figure 30 Full-Speed Output Path**

**Full-Speed Write Meeting Setup (Maximum Delay)**

The following equations show how to calculate the allowed skew range between the SD\_CLK and SD\_DAT/CMD signals on the PCB.

No clock delay:

(1)

$$t_{ODLY\_F} + t_{DATA\_DELAY} + t_{TAP\_DELAY} + t_{ISU} < t_{WL}$$

With clock delay:

$$t_{ODLY\_F} + t_{DATA\_DELAY} + t_{TAP\_DELAY} + t_{ISU} < t_{WL} + t_{CLK\_DELAY} \quad (2)$$

$$t_{DATA\_DELAY} + t_{TAP\_DELAY} + t_{WL} < t_{PP} + t_{CLK\_DELAY} - t_{ISU} - t_{ODLY\_F} \quad (3)$$

$$t_{DATA\_DELAY} + t_{TAP\_DELAY} + 20 < 40 + t_{CLK\_DELAY} - 5 - 10$$

$$t_{DATA\_DELAY} < 5 + t_{CLK\_DELAY} - t_{TAP\_DELAY}$$

The data can be delayed versus clock up to 5 ns in ideal case of  $t_{WL} = 20$  ns.

### Full-Speed Write Meeting Hold (Minimum Delay)

The following equations show how to calculate the allowed skew range between the SD\_CLK and SD\_DAT/CMD signals on the PCB.

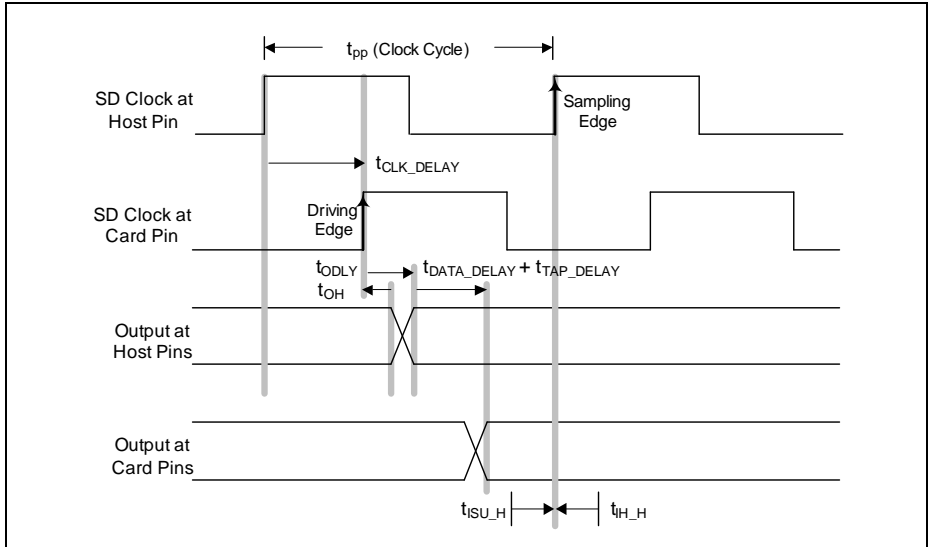
$$t_{CLK\_DELAY} < t_{WL} + t_{OH\_F} + t_{DATA\_DELAY} + t_{TAP\_DELAY} - t_{IH} \quad (4)$$

$$t_{CLK\_DELAY} < 20 + t_{DATA\_DELAY} + t_{TAP\_DELAY} - 5$$

$$t_{DATA\_DELAY} < 15 + t_{CLK\_DELAY} + t_{TAP\_DELAY}$$

The clock can be delayed versus data up to 18.2 ns (external delay line) in ideal case of  $t_{WL} = 20$  ns, with maximum  $t_{TAP\_DELAY} = 3.2$  ns programmed.

**Full-Speed Input Path (Read)**



**Figure 31 Full-Speed Input Path**

**Full-Speed Read Meeting Setup (Maximum Delay)**

The following equations show how to calculate the allowed combined propagation delay range of the SD\_CLK and SD\_DAT/CMD signals on the PCB.

(5)

$$t_{CLK\_DELAY} + t_{DATA\_DELAY} + t_{TAP\_DELAY} + t_{ODLY} + t_{ISU\_F} < 0.5 \times t_{pp}$$

$$t_{CLK\_DELAY} + t_{DATA\_DELAY} < 0.5 \times t_{pp} - t_{ODLY} - t_{ISU\_F} - t_{TAP\_DELAY}$$

$$t_{CLK\_DELAY} + t_{DATA\_DELAY} < 20 - 14 - 2 - t_{TAP\_DELAY}$$

$$t_{CLK\_DELAY} + t_{DATA\_DELAY} < 4 - t_{TAP\_DELAY}$$

The data + clock delay can be up to 4 ns for a 40 ns clock cycle.

**Electrical Parameters**

**Full-Speed Read Meeting Hold (Minimum Delay)**

The following equations show how to calculate the allowed combined propagation delay range of the SD\_CLK and SD\_DAT/CMD signals on the PCB.

(6)

$$t_{\text{CLK\_DELAY}} + t_{\text{OH}} + t_{\text{DATA\_DELAY}} + t_{\text{TAP\_DELAY}} > t_{\text{IH\_F}}$$

$$t_{\text{CLK\_DELAY}} + t_{\text{DATA\_DELAY}} > t_{\text{IH\_F}} - t_{\text{OH}} - t_{\text{TAP\_DELAY}}$$

$$t_{\text{CLK\_DELAY}} + t_{\text{DATA\_DELAY}} > 2 - t_{\text{TAP\_DELAY}}$$

The data + clock delay must be greater than 2 ns if  $t_{\text{TAP\_DELAY}}$  is not used.

If the  $t_{\text{TAP\_DELAY}}$  is programmed to at least 2 ns, the data + clock delay must be greater than 0 ns (or less). This is always fulfilled.

**AC Timing Specifications (High-Speed Mode)**

**Table 51 SDMMC Timing for High-Speed Mode**

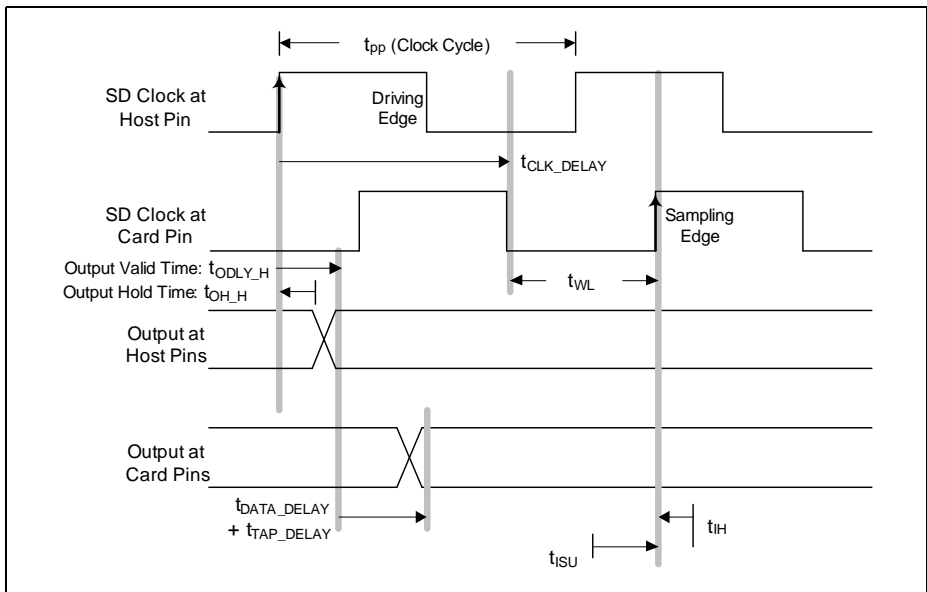
Parameter	Symbol	Values	Unit		Note/ Test Condition
			Min.	Max.	
Clock frequency in high speed transfer mode ( $1/t_{\text{pp}}$ )	$f_{\text{pp}}$ CC	0	48	MHz	
Clock cycle in high speed transfer mode	$t_{\text{pp}}$ CC	20	–	ns	
Clock low time	$t_{\text{WL}}$ CC	7	–	ns	
Clock high time	$t_{\text{WH}}$ CC	7	–	ns	
Clock rise time	$t_{\text{TLH}}$ CC	–	3	ns	
Clock fall time	$t_{\text{THL}}$ CC	–	3	ns	
Inputs setup to clock rising edge	$t_{\text{ISU\_H}}$ SR	2	–	ns	
Inputs hold after clock rising edge	$t_{\text{IH\_H}}$ SR	2	–	ns	
Outputs valid time in high speed mode	$t_{\text{ODLY\_H}}$ CC	–	14	ns	
Outputs hold time in high speed mode	$t_{\text{OH\_H}}$ CC	2	–	ns	

**Table 52 SD Card Bus Timing for High-Speed Mode<sup>1)</sup>**

Parameter	Symbol	Values		Unit	Note/ Test Condition
		Min.	Max.		
SD card input setup time	$t_{ISU}$	6	–	ns	
SD card input hold time	$t_{IH}$	2	–	ns	
SD card output valid time	$t_{ODLY}$	–	14	ns	
SD card output hold time	$t_{OH}$	2.5	–	ns	

1) Reference card timing values for calculation examples. Not subject to production test and not characterized.

**High-Speed Output Path (Write)**



**Figure 32 High-Speed Output Path**

**High-Speed Write Meeting Setup (Maximum Delay)**

The following equations show how to calculate the allowed skew between the SD\_CLK and SD\_DAT/CMD signals on the PCB.

No clock delay:

(7)

$$t_{ODLY\_H} + t_{DATA\_DELAY} + t_{TAP\_DELAY} + t_{ISU} < t_{WL}$$

With clock delay:

(8)

$$t_{ODLY\_H} + t_{DATA\_DELAY} + t_{TAP\_DELAY} + t_{ISU} < t_{WL} + t_{CLK\_DELAY}$$

(9)

$$t_{DATA\_DELAY} + t_{TAP\_DELAY} - t_{CLK\_DELAY} < t_{WL} - t_{ISU} - t_{ODLY\_H}$$

$$t_{DATA\_DELAY} - t_{CLK\_DELAY} < t_{WL} - t_{ISU} - t_{ODLY\_H} - t_{TAP\_DELAY}$$

$$t_{DATA\_DELAY} - t_{CLK\_DELAY} < 10 - 6 - 14 - t_{TAP\_DELAY}$$

$$t_{DATA\_DELAY} - t_{CLK\_DELAY} < -10 - t_{TAP\_DELAY}$$

The data delay is less than the clock delay by at least 10 ns in the ideal case where  $t_{WL} = 10$  ns.

### High-Speed Write Meeting Hold (Minimum Delay)

The following equations show how to calculate the allowed skew range between the SD\_CLK and SD\_DAT/CMD signals on the PCB.

(10)

$$t_{CLK\_DELAY} < t_{WL} + t_{OH\_H} + t_{DATA\_DELAY} + t_{TAP\_DELAY} - t_{IH}$$

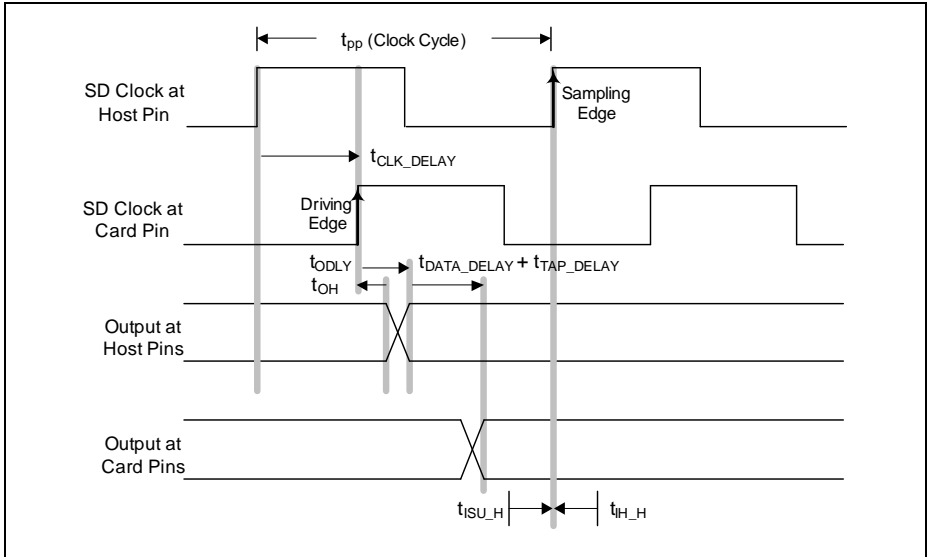
$$t_{CLK\_DELAY} - t_{DATA\_DELAY} < t_{WL} + t_{OH\_H} + t_{TAP\_DELAY} - t_{IH}$$

$$t_{CLK\_DELAY} - t_{DATA\_DELAY} < 10 + 2 + t_{TAP\_DELAY} - 2$$

$$t_{CLK\_DELAY} - t_{DATA\_DELAY} < 10 + t_{TAP\_DELAY}$$

The clock can be delayed versus data up to 13.2 ns (external delay line) in ideal case of  $t_{WL} = 10$  ns, with maximum  $t_{TAP\_DELAY} = 3.2$  ns programmed.

**High-Speed Input Path (Read)**



**Figure 33 High-Speed Input Path**

**High-Speed Read Meeting Setup (Maximum Delay)**

The following equations show how to calculate the allowed combined propagation delay range of the SD\_CLK and SD\_DAT/CMD signals on the PCB.

(11)

$$t_{CLK\_DELAY} + t_{DATA\_DELAY} + t_{TAP\_DELAY} + t_{ODLY} + t_{ISU\_H} < t_{pp}$$

$$t_{CLK\_DELAY} + t_{DATA\_DELAY} < t_{pp} - t_{ODLY} - t_{ISU\_H} - t_{TAP\_DELAY}$$

$$t_{CLK\_DELAY} + t_{DATA\_DELAY} < 20 - 14 - 2 - t_{TAP\_DELAY}$$

$$t_{CLK\_DELAY} + t_{DATA\_DELAY} < 4 - t_{TAP\_DELAY}$$

The data + clock delay can be up to 4 ns for a 20 ns clock cycle.



**High-Speed Read Meeting Hold (Minimum Delay)**

The following equations show how to calculate the allowed combined propagation delay range of the SD\_CLK and SD\_DAT/CMD signals on the PCB.

(12)

$$t_{\text{CLK\_DELAY}} + t_{\text{OH}} + t_{\text{DATA\_DELAY}} + t_{\text{TAP\_DELAY}} > t_{\text{IH\_H}}$$

$$t_{\text{CLK\_DELAY}} + t_{\text{DATA\_DELAY}} > t_{\text{IH\_H}} - t_{\text{OH}} - t_{\text{TAP\_DELAY}}$$

$$t_{\text{CLK\_DELAY}} + t_{\text{DATA\_DELAY}} > 2 - 2,5 - t_{\text{TAP\_DELAY}}$$

$$t_{\text{CLK\_DELAY}} + t_{\text{DATA\_DELAY}} > -0,5 - t_{\text{TAP\_DELAY}}$$

The data + clock delay must be greater than -0.5 ns for a 20 ns clock cycle. This is always fulfilled.

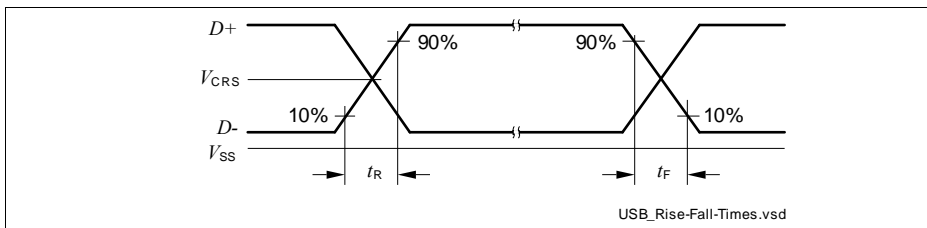
### 3.3.9 USB Interface Characteristics

The Universal Serial Bus (USB) Interface is compliant to the USB Rev. 2.0 Specification and the OTG Specification Rev. 1.3. High-Speed Mode is not supported.

*Note: These parameters are not subject to production test, but verified by design and/or characterization.*

**Table 53 USB Timing Parameters** (operating conditions apply)

Parameter	Symbol		Values			Unit	Note / Test Condition
			Min.	Typ.	Max.		
Rise time	$t_R$	CC	4	–	20	ns	$C_L = 50 \text{ pF}$
Fall time	$t_F$	CC	4	–	20	ns	$C_L = 50 \text{ pF}$
Rise/Fall time matching	$t_R/t_F$	CC	90	–	111.11	%	$C_L = 50 \text{ pF}$
Crossover voltage	$V_{CRS}$	CC	1.3	–	2.0	V	$C_L = 50 \text{ pF}$



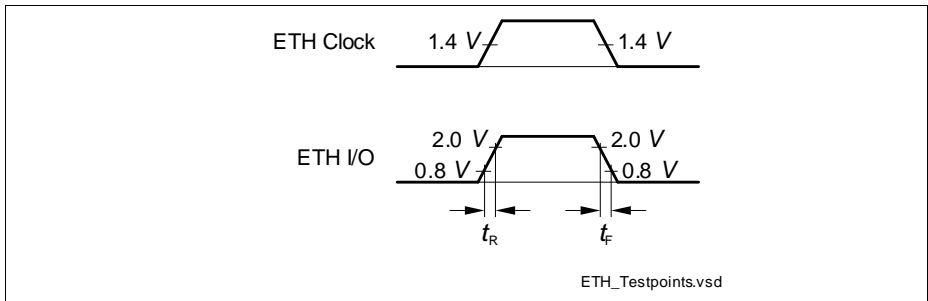
**Figure 34 USB Signal Timing**

### 3.3.10 Ethernet Interface (ETH) Characteristics

For proper operation of the Ethernet Interface it is required that  $f_{SYS} \geq 100$  MHz.

*Note: These parameters are not subject to production test, but verified by design and/or characterization.*

#### 3.3.10.1 ETH Measurement Reference Points

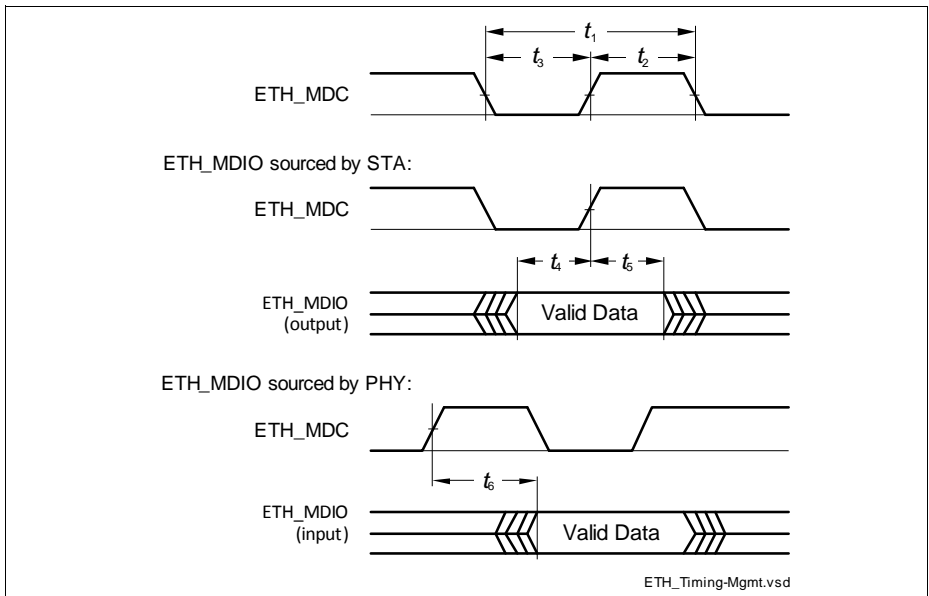


**Figure 35 ETH Measurement Reference Points**

**3.3.10.2 ETH Management Signal Parameters (ETH\_MDC, ETH\_MDIO)**

**Table 54 ETH Management Signal Timing Parameters**

Parameter	Symbol		Values			Unit	Note / Test Condition
			Min.	Typ.	Max.		
ETH_MDC period	$t_1$	CC	400	–	–	ns	$C_L = 25 \text{ pF}$
ETH_MDC high time	$t_2$	CC	160	–	–	ns	
ETH_MDC low time	$t_3$	CC	160	–	–	ns	
ETH_MDIO setup time (output)	$t_4$	CC	10	–	–	ns	
ETH_MDIO hold time (output)	$t_5$	CC	10	–	–	ns	
ETH_MDIO data valid (input)	$t_6$	SR	0	–	300	ns	



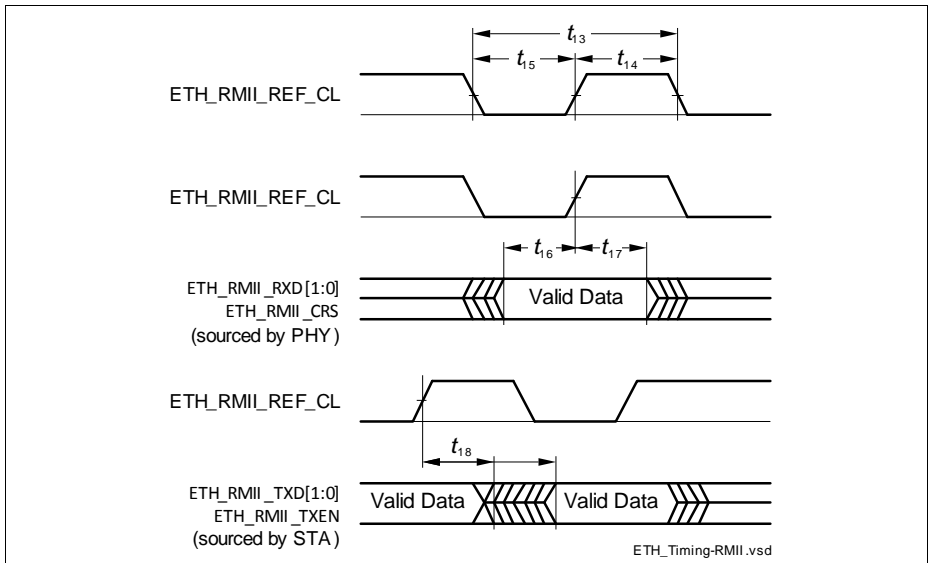
**Figure 36 ETH Management Signal Timing**

### 3.3.10.3 ETH RMII Parameters

In the following, the parameters of the RMII (Reduced Media Independent Interface) are described.

**Table 55 ETH RMII Signal Timing Parameters**

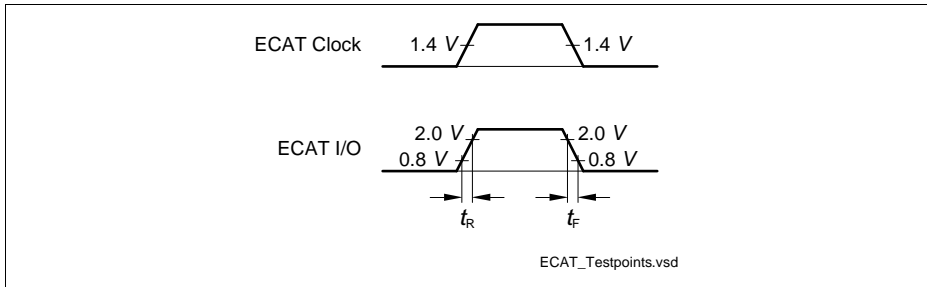
Parameter	Symbol		Values			Unit	Note / Test Condition
			Min.	Typ.	Max.		
ETH_RMII_REF_CL clock period	$t_{13}$	SR	20	–	–	ns	$C_L = 25 \text{ pF}$ ; 50 ppm
ETH_RMII_REF_CL clock high time	$t_{14}$	SR	7	–	13	ns	$C_L = 25 \text{ pF}$
ETH_RMII_REF_CL clock low time	$t_{15}$	SR	7	–	13	ns	
ETH_RMII_RXD[1:0], ETH_RMII_CRD setup time	$t_{16}$	SR	4	–	–	ns	
ETH_RMII_RXD[1:0], ETH_RMII_CRD hold time	$t_{17}$	SR	2	–	–	ns	
ETH_RMII_TXD[1:0], ETH_RMII_TXEN data valid	$t_{18}$	CC	4	–	15	ns	



**Figure 37 ETH RMII Signal Timing**

### 3.3.11 EtherCAT (ECAT) Characteristics

#### 3.3.11.1 ECAT Measurement Reference Points

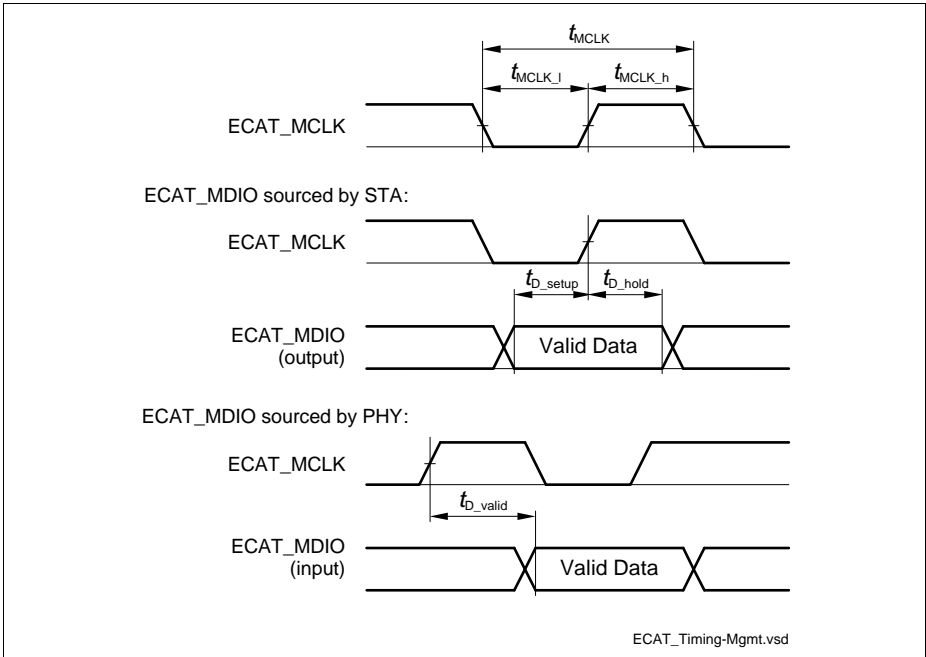


**Figure 38 Measurement Reference Points**

#### 3.3.11.2 ETH Management Signal Parameters (MCLK, MDIO)

**Table 56 ECAT Management Signal Timing Parameters**

Parameter	Symbol	Values			Unit	Note / Test Condition
		Min.	Typ.	Max.		
ECAT_MCLK period	$t_{MCLK}$ CC	–	400	–	ns	IEEE802.3 requirement (2.5 MHz) $C_L = 25$ pF
ECAT_MCLK high time	$t_{MCLK_h}$ CC	160	–	–	ns	
ECAT_MCLK low time	$t_{MCLK_l}$ CC	160	–	–	ns	
ECAT_MDIO setup time (output)	$t_{D\_setup}$ CC	10	–	–	ns	
ECAT_MDIO hold time (output)	$t_{D\_hold}$ CC	10	–	–	ns	
ECAT_MDIO data valid (input)	$t_{D\_valid}$ SR	0	–	300	ns	



**Figure 39 ECAT Management Signal Timing**

### 3.3.11.3 MII Timing TX Characteristics

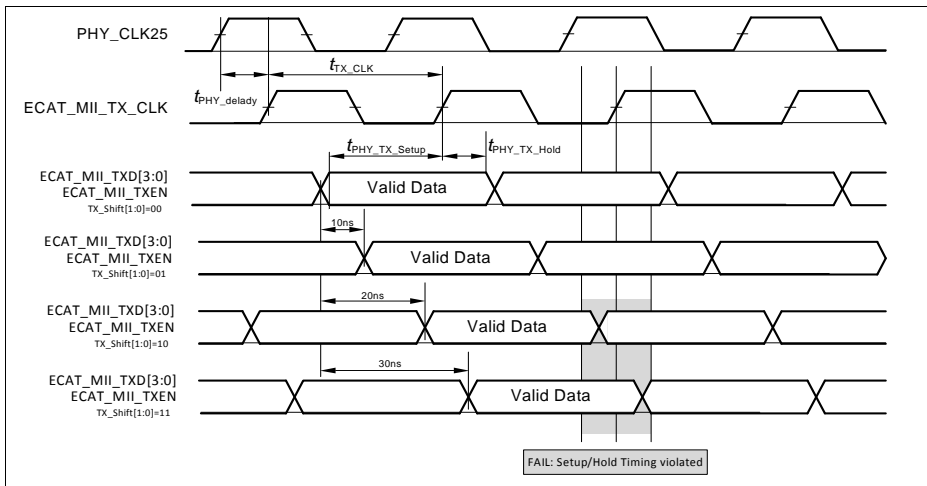
**Table 57 ETH MII TX Signal Timing Parameters**

Parameter	Symbol	Values			Unit	Note / Test Condition
		Min.	Typ.	Max.		
PHY_CLK25, TX_CLK period	$t_{TX\_CLK}$ SR	–	40	–	ns	
Delay between PHY clock source PHY_CLK25 and TX_CLK output of the PHY	$t_{PHY\_delay}$ SR	–	–	–	ns	PHY dependent

**Table 57 ETH MII TX Signal Timing Parameters (cont'd)**

Parameter	Symbol	Values			Unit	Note / Test Condition
		Min.	Typ.	Max.		
PHY setup requirement: TXEN/TXD[3:0] with respect to TX_CLK	$t_{TX\_setup}$ SR	15	–	0	ns	PHY dependent IEEE802.3 limit is 15 ns
PHY hold requirement: TXEN/TXD[3:0] with respect to TX_CLK	$t_{TX\_hold}$ CC	0	–	25	ns	PHY dependent IEEE802.3 limit is 0 ns

*Note: ECAT0\_CONPx.TX\_SHIFT can be adjusted by displaying TX\_CLK of a PHY and TXEN/TXD[3:0] on an oscilloscope. TXEN/TXD[3:0] is allowed to change between 0 ns and 25 ns after a rising edge of TX\_CLK (according to IEEE802.3 – check your PHY's documentation). Configure TX\_SHIFT so that TXEN/TXD[3:0] change near the middle of this range. It is sufficient to check just one of the TXEN/TXD[3:0] signals, because they are nearly generated at the same time.*



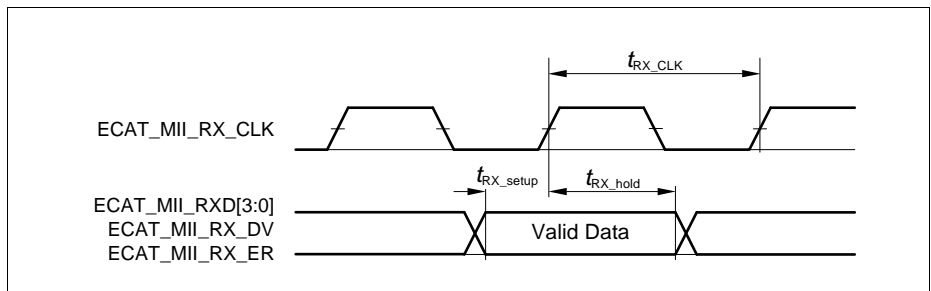
**Figure 40 MII TX Characteristics**



### 3.3.11.4 MII Timing RX Characteristics

**Table 58 ETH MII RX Signal Timing Parameters**

Parameter	Symbol	Values			Unit	Note / Test Condition
		Min.	Typ.	Max.		
RX_CLK period	$t_{RX\_CLK}$ SR	–	40	–	ns	$C_L = 25\text{ pF}$ , IEEE802.3 requirement
RX_DV/RX_DV/RXD[3:0] valid before rising edge of RX_CLK	$t_{RX\_setup}$ SR	10	–	–	ns	
RX_DV/RX_DV/RXD[3:0] valid after rising edge of RX_CLK	$t_{RX\_hold}$ SR	10	–	–	ns	



**Figure 41 MII RX characteristics**

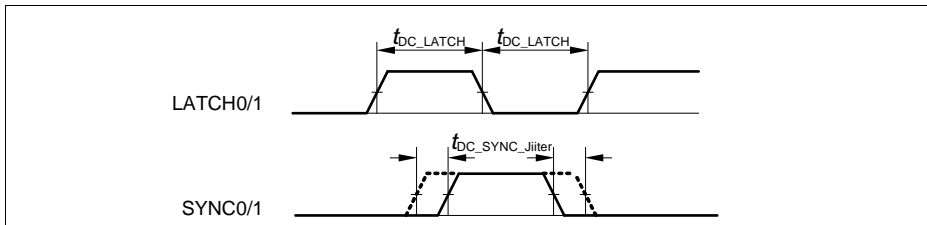
### 3.3.11.5 Sync/Latch Timings

**Table 59 Sync/Latch Timings**

Parameter	Symbol	Values			Unit	Note / Test Condition
		Min.	Typ.	Max.		
SYNC0/1	$t_{DC\_SYNC\_Jitter}$ SR	–	–	11 + m <sup>1)</sup>	ns	
LATCH0/1	$t_{DC\_LATCH}$ SR	12 + n <sup>2)</sup>	–	–	ns	

- 1) additional delay form logic and pad, number is added after characterization
- 2) additional shaping delay, number is added after characterization

*Note: SYNC0/1 pulse length are initially loaded by EEPROM content ADR 0x0002. The actual used value can be read back from Register DC\_PULSE\_LEN.*



**Figure 42 Sync/Latch Timings**

## 4 Package and Reliability

The XMC4300 is a member of the XMC4000 Family of microcontrollers. It is also compatible to a certain extent with members of similar families or subfamilies.

Each package is optimized for the device it houses. Therefore, there may be slight differences between packages of the same pin-count but for different device types. In particular, the size of the Exposed Die Pad may vary.

If different device types are considered or planned for an application, it must be ensured that the board layout fits all packages under consideration.

### 4.1 Package Parameters

**Table 60** provides the thermal characteristics of the packages used in XMC4300.

**Table 60 Thermal Characteristics of the Packages**

Parameter	Symbol	Limit Values		Unit	Package Types
		Min.	Max.		
Exposed Die Pad dimensions including U-Groove	$E_x \times E_y$ CC	-	$7.0 \times 7.0$	mm	PG-LQFP-100-25
Exposed Die Pad dimensions excluding U-Groove	$A_x \times A_y$ CC	-	$6.2 \times 6.2$	mm	PG-LQFP-100-25
Thermal resistance Junction-Ambient $T_J \leq 150\text{ }^\circ\text{C}$	$R_{\Theta JA}$ CC	-	22.5	K/W	PG-LQFP-100-25 <sup>1)</sup>

1) Device mounted on a 4-layer JEDEC board (JESD 51-7) with thermal vias; exposed pad soldered.

*Note: For electrical reasons, it is required to connect the exposed pad to the board ground  $V_{SS}$ , independent of EMC and thermal requirements.*

#### 4.1.1 Thermal Considerations

When operating the XMC4300 in a system, the total heat generated in the chip must be dissipated to the ambient environment to prevent overheating and the resulting thermal damage.

The maximum heat that can be dissipated depends on the package and its integration into the target board. The "Thermal resistance  $R_{\Theta JA}$ " quantifies these parameters. The power dissipation must be limited so that the average junction temperature does not exceed  $150\text{ }^\circ\text{C}$ .

The difference between junction temperature and ambient temperature is determined by

$$\Delta T = (P_{\text{INT}} + P_{\text{IOSTAT}} + P_{\text{IODYN}}) \times R_{\Theta JA}$$

The internal power consumption is defined as

$$P_{\text{INT}} = V_{\text{DDP}} \times I_{\text{DDP}} \text{ (switching current and leakage current).}$$

The static external power consumption caused by the output drivers is defined as

$$P_{\text{IOSTAT}} = \Sigma((V_{\text{DDP}} - V_{\text{OH}}) \times I_{\text{OH}}) + \Sigma(V_{\text{OL}} \times I_{\text{OL}})$$

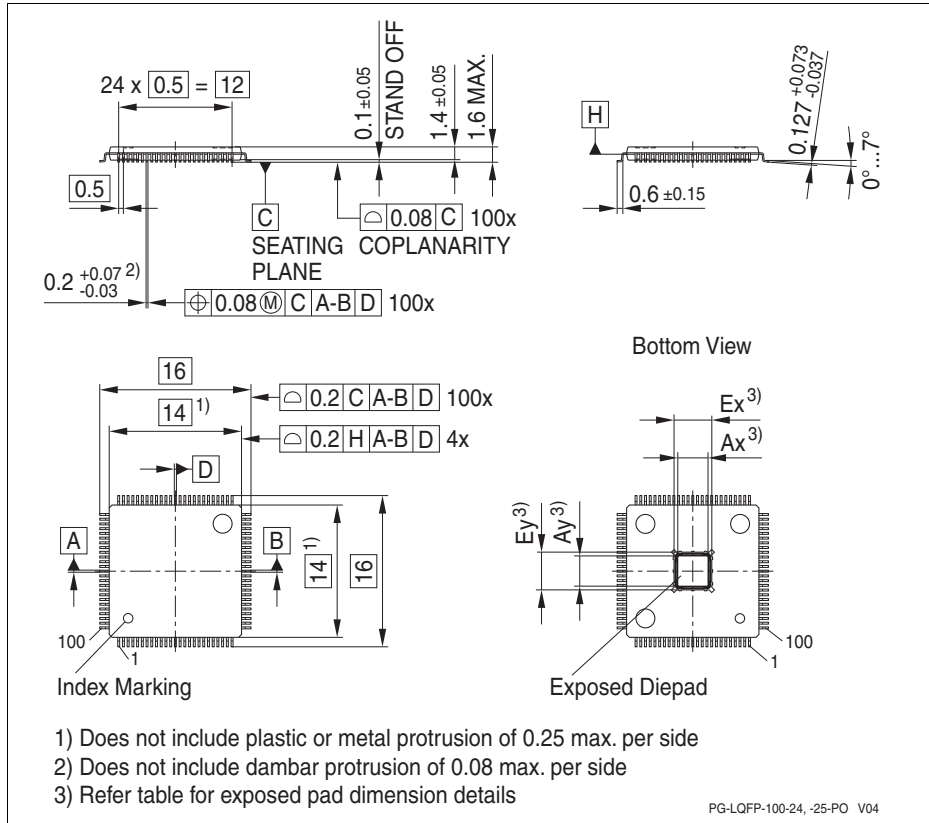
The dynamic external power consumption caused by the output drivers ( $P_{\text{IODYN}}$ ) depends on the capacitive load connected to the respective pins and their switching frequencies.

If the total power dissipation for a given system configuration exceeds the defined limit, countermeasures must be taken to ensure proper system operation:

- Reduce  $V_{\text{DDP}}$ , if possible in the system
- Reduce the system frequency
- Reduce the number of output pins
- Reduce the load on active output drivers

## 4.2 Package Outlines

The exposed die pad dimensions are listed in [Table 60](#).



**Figure 43 PG-LQFP-100-25 (Plastic Green Low Profile Quad Flat Package)**

All dimensions in mm.

You can find complete information about Infineon packages, packing and marking in our Infineon Internet Page "Packages": <http://www.infineon.com/packages>

## 5 Quality Declarations

The qualification of the XMC4300 is executed according to the JEDEC standard JESD471.

*Note: For automotive applications refer to the Infineon automotive microcontrollers.*

**Table 61 Quality Parameters**

Parameter	Symbol	Values			Unit	Note / Test Condition
		Min.	Typ.	Max.		
Operation lifetime	$t_{OP}$ CC	20	–	–	a	$T_J \leq 109^\circ\text{C}$ , device permanent on
ESD susceptibility according to Human Body Model (HBM)	$V_{HBM}$ SR	–	–	3 000	V	EIA/JESD22-A114-B
ESD susceptibility according to Charged Device Model (CDM)	$V_{CDM}$ SR	–	–	1 000	V	Conforming to JESD22-C101-C
Moisture sensitivity level	$MSL$ CC	–	–	3	–	JEDEC J-STD-020D
Soldering temperature	$T_{SDR}$ SR	–	–	260	$^\circ\text{C}$	Profile according to JEDEC J-STD-020D

[www.infineon.com](http://www.infineon.com)

Published by Infineon Technologies AG