

PMT Panel Mount Power Supply

24 V 200 W 1 Phase / PMT-24V200W1A□□

PMT

Highlights & Features

- AC input voltage range selectable by switch
- Full Aluminium casing for light weight and corrosion resistant handling
- Convection cooling
- Cold start -20°C at 100% load (200W)
- Low leakage current < 0.25mA @ 240Vac
- High MTBF > 700,000 hrs. as per Telcordia SR-332
- Short Circuit / Overvoltage / Overcurrent / Over Temperature Protections

Safety Standards



CB Certified for worldwide use

Model Number: PMT-24V200W1A□□
Unit Weight: 0.63 kg (1.39 lb)
Dimensions (L x W x H): 215 x 115 x 50 mm
 (8.46 x 4.53 x 1.97 inch)



General Description

The new PMT series of panel mount power supplies is the latest offering from one of the world's largest power supply manufacturers and solution providers - Delta. The product offers a wide operating temperature range from -10°C to +60°C and can withstand shock and vibration requirements (in accordance to IEC 60068-2-27 and IEC 60068-2-6 respectively). In addition to features like overvoltage and overload protections, Delta's PMT series of panel mount power supplies is unlike many other brands in the same price level. The PMT series is designed for cost competitive markets without compromising the quality of the components and product specifications. The series of products has an expected life time of 10 years. This versatile series has two different connector options (Terminal Block and Front Face) and can also be converted into L Frame (PML) type of power supplies to satisfy different application needs.

Model Information

PMT Panel Mount Power Supply

Model Number	Input Voltage Range	Rated Output Voltage	Rated Output Current
PMT-24V200W1A□□	90-132 Vac, 180-264 Vac (Selectable by Switch)	24 Vdc	8.80 A

Model Numbering

							CC Code**
PM	□ -	24V	200W	1	A	□	□
Panel Mount	Product Type T – Enclosed L – L Frame*	Output Voltage	Output Power	Single Phase	No PFC	Connector Type M – Terminal Block N – Front Face*	B – With conformal coating

*Options

**For Enclosed type with Terminal Block



M



N

PMT Panel Mount Power Supply

24 V 200 W 1 Phase / PMT-24V200W1A□□

Specifications

Input Ratings / Characteristics

Nominal Input Voltage	100-120 Vac, 200-240 Vac (Selectable by Switch)
Input Voltage Range	90-132 Vac, 180-264 Vac (Selectable by Switch)
Nominal Input Frequency	50-60 Hz
Input Frequency Range	47-63 Hz
Input Current	< 4.50 A @ 115 Vac, < 2.50 A @ 230 Vac
Efficiency at 100% Load	> 88.5% @ 230 Vac
Max Inrush Current	< 55 A @ 230 Vac
Leakage Current	< 0.25 mA @ 240 Vac

Output Ratings / Characteristics*

Nominal Output Voltage	24 Vdc
Factory Set Point Tolerance	24 Vdc \pm 1%
Output Voltage Adjustment Range	21.6-26.4 Vdc
Output Current	8.80 A (211.2 W max.)
Output Power	211.2 W
Line Regulation	\pm 0.5% typ. (@ 100-132 Vac & 200-264 Vac)
Load Regulation	\pm 0.5% typ. (@ 100-132 Vac & 200-264 Vac)
PARD** (20MHz)	< 150 mVpp
Rise Time	30 ms typ. @ 115 Vac, 20 ms typ. @ 230 Vac (100% load)
Start-up Time	1000 ms typ. @ 115 Vac & 230 Vac (100% load)
Hold-up Time	20 ms typ. @ 115 Vac (100% load) 24 ms typ. @ 230 Vac (100% load)
Dynamic Response (Overshoot & Undershoot O/P Voltage)	\pm 5% @ 0-100% load
Start-up with Capacitive Loads	8,000 μ F Max

*For power de-rating from 50°C to 70°C, see power de-rating on page 3.

**PARD is measured with an AC coupling mode, 5cm wires, and in parallel with 0.1 μ F ceramic capacitor & 47 μ F electrolytic capacitor.

Mechanical

Case Chassis / Cover	Aluminium	
Dimensions (L x W x H)	215 x 115 x 50 mm (8.46 x 4.53 x 1.97 inch)	
Unit Weight	0.63 kg (1.39 lb)	
Indicator	Green LED (DC OK)	
Cooling System	Convection	
Terminal	PM□-24V200W1A□□	M3.5 x 9 Pins (Rated 300 V/15 A)
	PM□-24V200W1A□	M3.5 x 9 Pins (Rated 300 V/20 A)
Wire	AWG 22-12	
Noise (1 Meter from power supply)	Sound Pressure Level (SPL) < 25 dBA	

PMT Panel Mount Power Supply

24 V 200 W 1 Phase / PMT-24V200W1A□□

Environment

Surrounding Air Temperature	Operating	-10°C to +60°C (Cold start at -20°C)
	Storage	-25°C to +85°C
Power De-rating		> 40°C de-rate power by 2.5% / °C < 100 Vac de-rate power by 3% / 1 V
Operating Humidity		5 to 95% RH (Non-Condensing)
Operating Altitude		0 to 5,000 Meters (16,400 ft.)
Shock Test	Non-Operating	IEC 60068-2-27, Half Sine: 50G for a duration of 11ms, 3 times for each 3 directions
Vibration	Non-Operating	IEC 60068-2-6, Random: 5 Hz to 500 Hz @ 2.09 Grms, 20 min per axis for all X, Y, Z direction
Over Voltage Category		II
Pollution Degree		2

Protections

Overvoltage		27.6-32.4 V, Hiccup Mode, Non-Latching (Auto-Recovery)
Overload / Overcurrent		105-150%, Hiccup Mode, Non-Latching (Auto-Recovery)
Over Temperature		Hiccup Mode, Non-Latching (Auto-Recovery when the fault is removed)
Short Circuit		Hiccup Mode, Non-Latching (Auto-Recovery when the fault is removed)
Internal Fuse at L pin		T6.3AH
Protection Against Shock		Class I with PE* connection

*PE: Primary Earth

Reliability Data

MTBF		> 700,000 hrs as per Telcordia SR-332 I/P: 100 Vac, O/P: 100% load, Ta: 35°C
Expected Cap Life Time		10 years (115Vac & 230Vac, 50% load @ 40°C)

Safety Standards / Directives

Safety Entry Low Voltage		SELV (EN 60950-1)
Electrical Safety	UL/cUL recognized	UL 60950-1 and CSA C22.2 No. 60950-1 (File No. E131881) UL 62368-1 and CSA C22.2 No. 62368-1 (File No. E131881)
	CB scheme	IEC 60950-1, IEC 62368-1
Galvanic Isolation	Input to Output	3.0 KVac
	Input to Ground	1.5 KVac
	Output to Ground	0.5 KVac

PMT Panel Mount Power Supply

24 V 200 W 1 Phase / PMT-24V200W1A□□

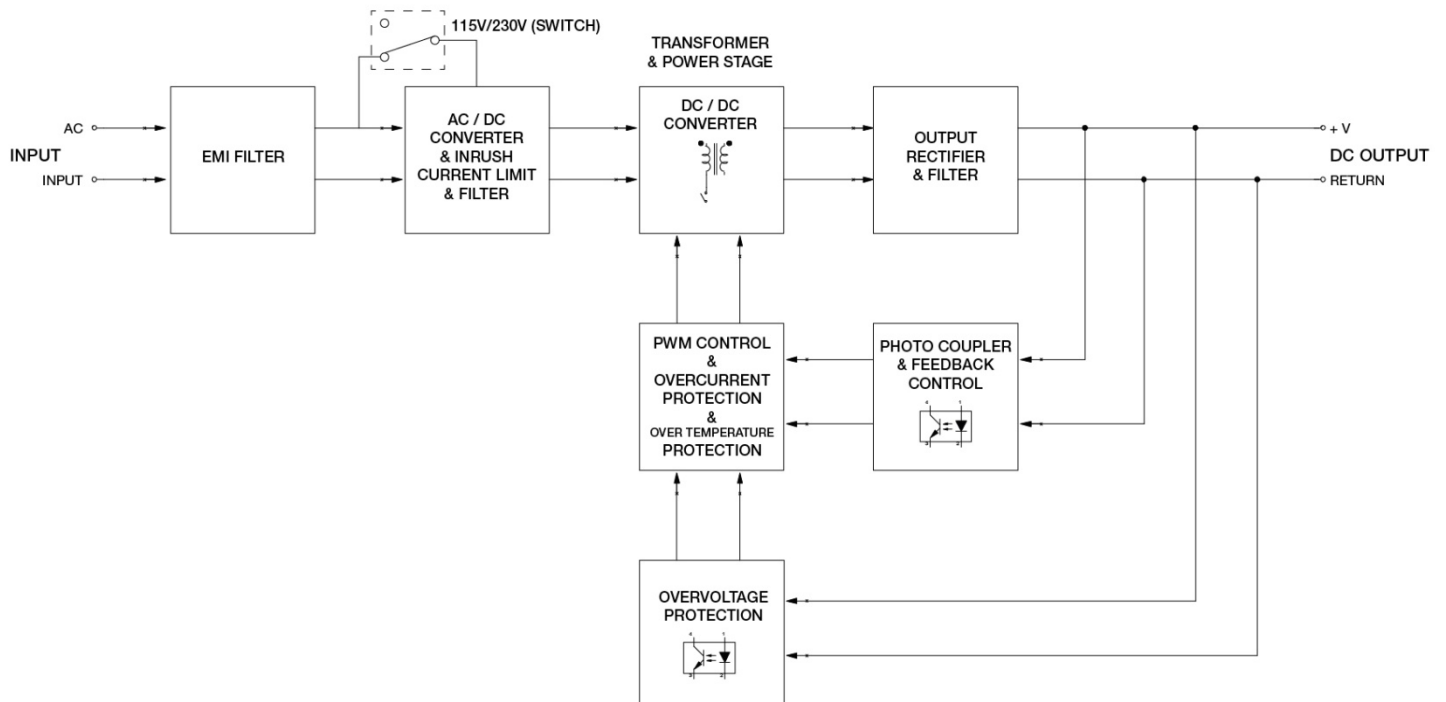
EMC

Emissions (CE & RE)		CISPR 32, EN 55032, FCC Title 47: Class A (With Delta EMI filter P/N: 10DKAW5)
Immunity		EN 55024
Electrostatic Discharge	IEC 61000-4-2	Level 4 Criteria A ¹⁾ Air Discharge: 15 kV Contact Discharge: 8 kV
Radiated Field	IEC 61000-4-3	Level 2 Criteria A ¹⁾ 80 MHz-1 GHz, 3 V/M with 1 kHz tone / 80% modulation
Electrical Fast Transient / Burst	IEC 61000-4-4	Level 3 Criteria A ¹⁾ 2 kV
Surge	IEC 61000-4-5	Level 3 Criteria A ¹⁾ Common Mode ²⁾ : 2 kV Differential Mode ³⁾ : 1 kV
Conducted	IEC 61000-4-6	Level 3 Criteria A ¹⁾ 150 kHz-80 MHz, 3 Vrms
Power Frequency Magnetic Fields	IEC 61000-4-8	Criteria A ¹⁾ 10 A/Meter
Voltage Dips and Interruptions	IEC 61000-4-11	100% dip; 1 cycle (20ms); Self Recoverable
Low Energy Pulse Test (Ring Wave)	IEC 61000-4-12	Level 3 Criteria A ¹⁾ Common Mode ²⁾ : 2 kV Differential Mode ³⁾ : 1 kV

*Fulfills tested conditions

- 1) Criteria A: Normal performance within the specification limits
- 2) Asymmetrical: Common mode (Line to earth)
- 3) Symmetrical: Differential mode (Line to line)

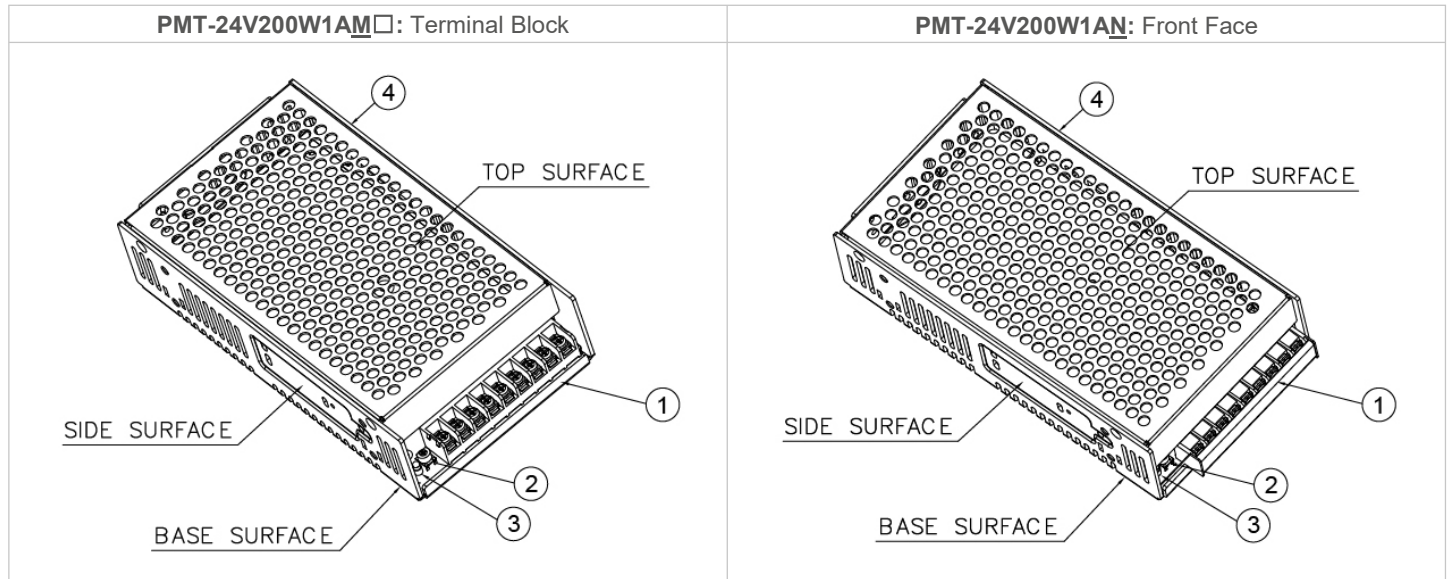
Block Diagram



PMT Panel Mount Power Supply

24 V 200 W 1 Phase / PMT-24V200W1A□□

Device Description

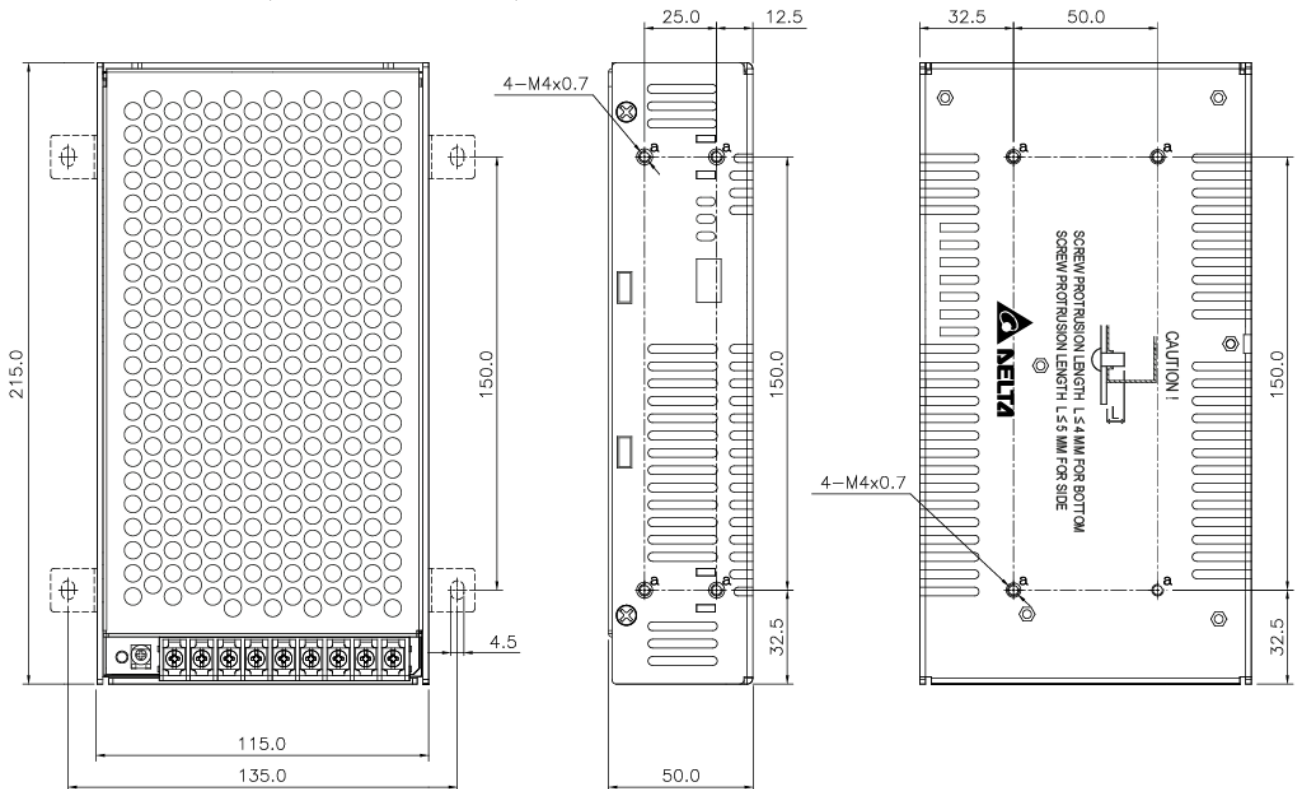


- 1) Input & Output terminal block connector
- 2) DC voltage adjustment potentiometer
- 3) DC OK control LED (Green)
- 4) AC selectable switch

Dimensions

PMT-24V200W1AM□: Terminal Block with Case Cover

L x W x H: 215 x 115 x 50 mm (8.46 x 4.53 x 1.97 inch)

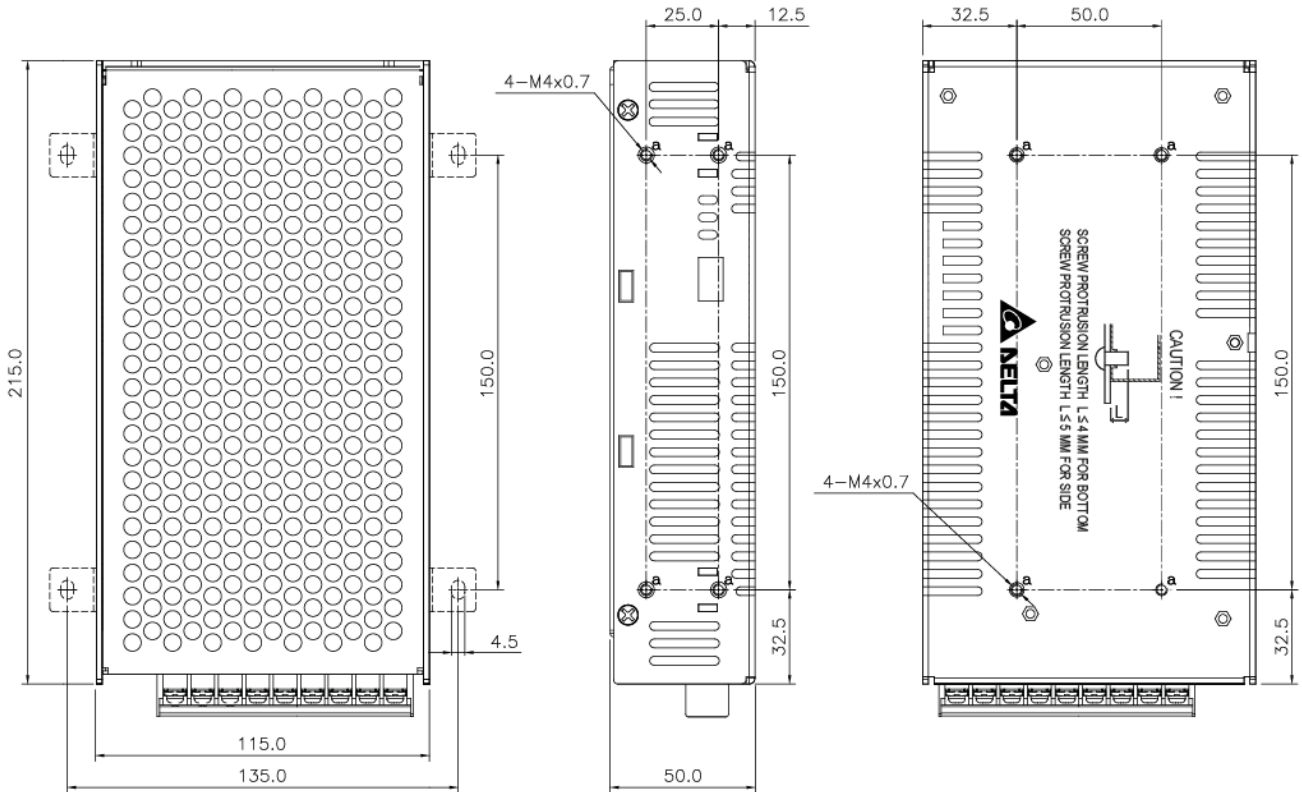


PMT Panel Mount Power Supply

24 V 200 W 1 Phase / PMT-24V200W1A□□

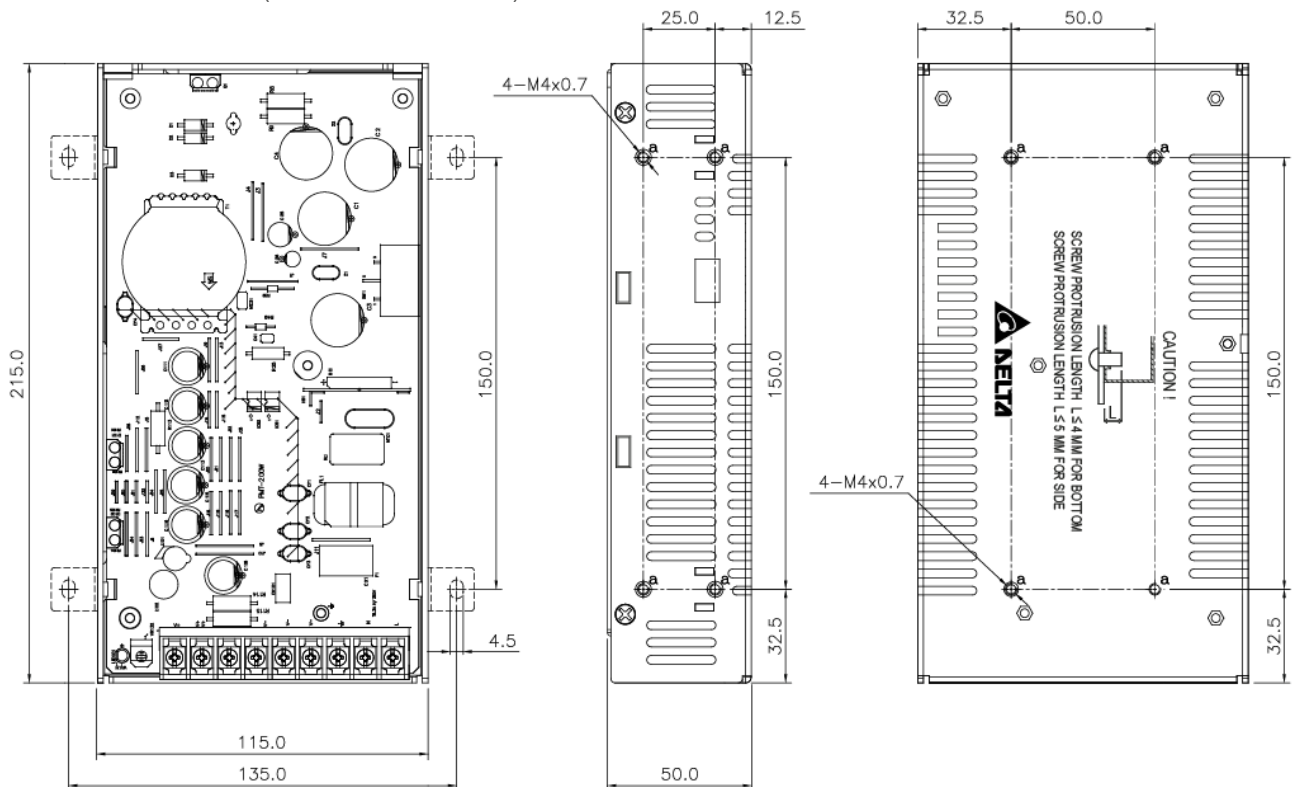
PMT-24V200W1A□□: Front Face with Case Cover

L x W x H: 215 x 115 x 50 mm (8.46 x 4.53 x 1.97 inch)



PML-24V200W1A□□: Terminal Block without Case Cover

L x W x H: 215 x 115 x 50 mm (8.46 x 4.53 x 1.97 inch)

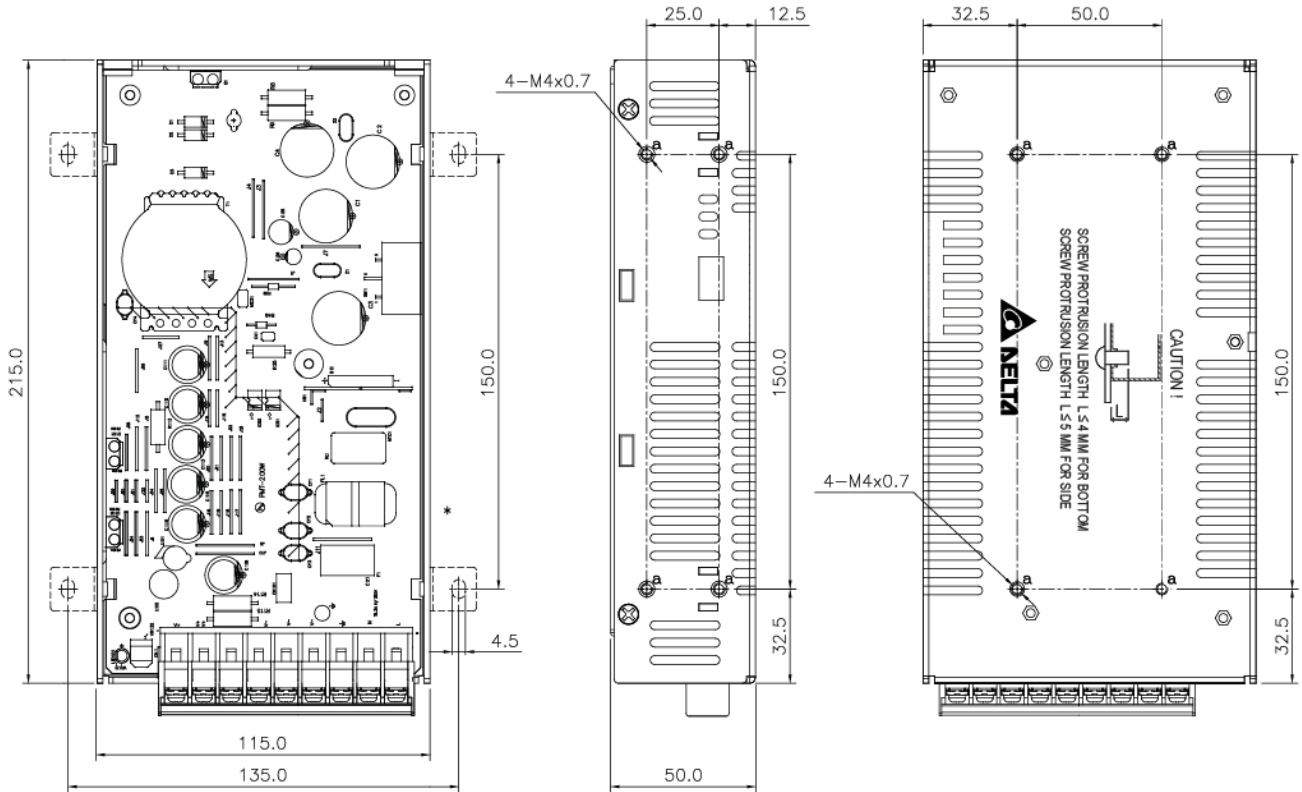


PMT Panel Mount Power Supply

24 V 200 W 1 Phase / PMT-24V200W1A□□

PML-24V200W1AN: Front Face without Case Cover

L x W x H: 215 x 115 x 50 mm (8.46 x 4.53 x 1.97 inch)



PMT Panel Mount Power Supply

24 V 200 W 1 Phase / PMT-24V200W1A□□

Engineering Data

Output Load De-rating VS Surrounding Air Temperature

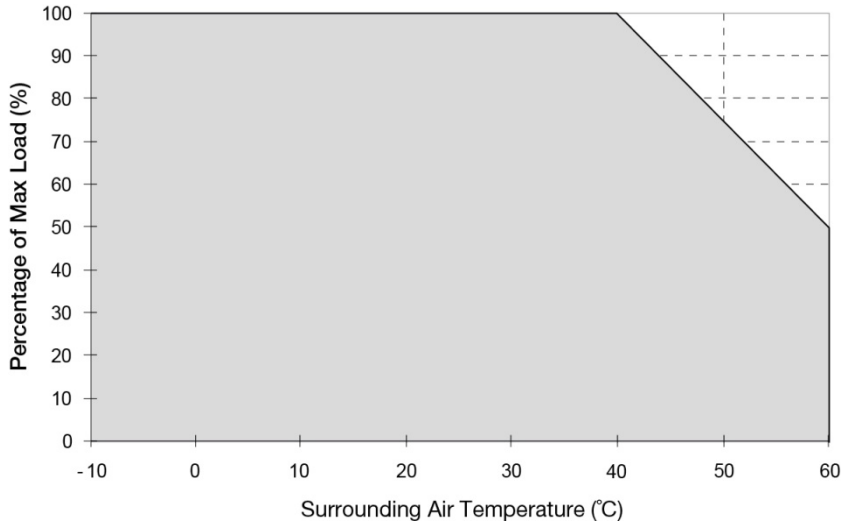
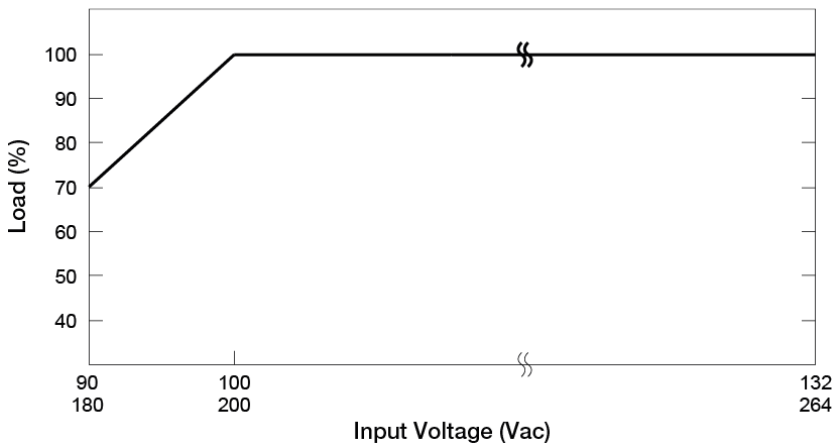


Fig. 1 De-rating for Vertical and Horizontal Mounting Orientation
 > 40°C de-rate power by 2.5% / °C

Note

1. Power supply components may degrade, or be damaged, when the power supply is continuously used outside the shaded region, refer to the graph shown in Fig. 1.
2. If the output capacity is not reduced when the surrounding air temperature exceeds its specification as defined on Page 3 under "Environment", the device will run into Over Temperature Protection. When activated, the output voltage will go into bouncing mode and will recover when the surrounding air temperature is lowered or the load is reduced as far as necessary to keep the device in working condition.
3. In order for the device to function in the manner intended, it is also necessary to keep a safety distance of 20 mm (0.79 inch) with adjacent units while the device is in operation.
4. Depending on the surrounding air temperature and output load delivered by the power supply, the device can be very hot!
5. If the device has to be mounted in any other orientation, please contact info@deltapsu.com for more details.

Output Load De-rating VS Input Voltage



- No output power de-rating for the input voltage from 100Vac to 132 Vac & 200 Vac to 264 Vac

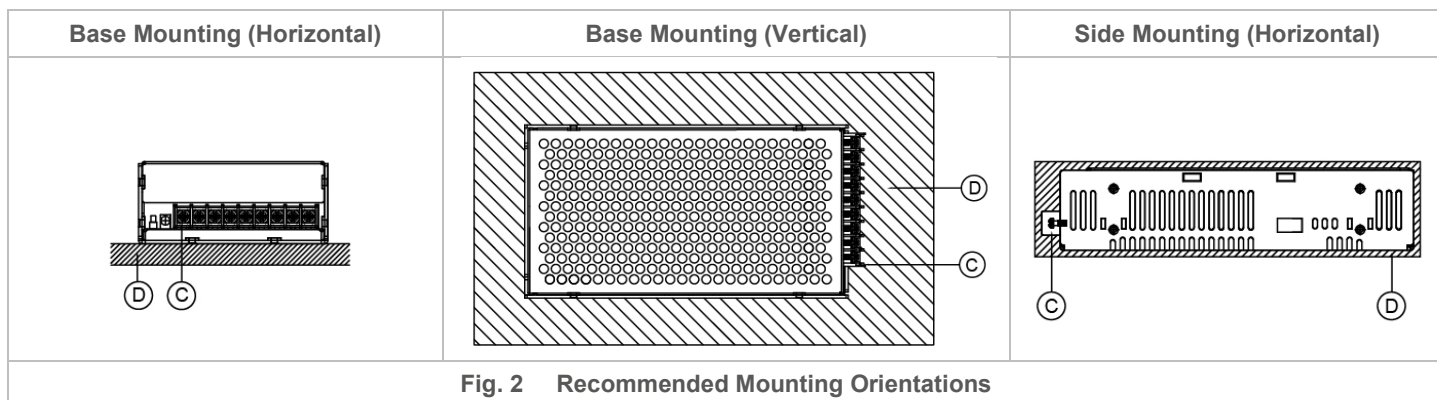
■ L Frame / Enclosed

PMT Panel Mount Power Supply

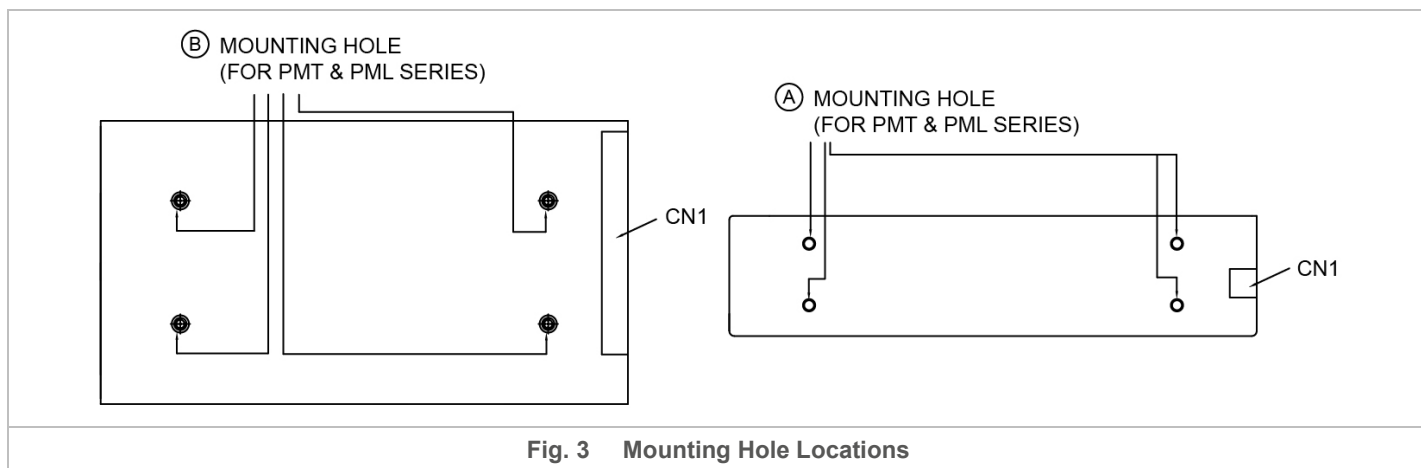
24 V 200 W 1 Phase / PMT-24V200W1A□□

Assembly & Installation

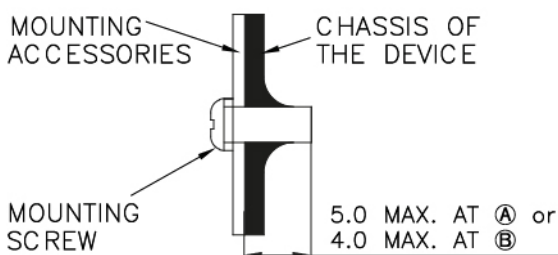
- Ⓐ Side Mounting: Fig. 2 and Fig. 3 show the mounting hole locations for power supply assembly onto a metal mounting surface. The power supply shall be mounted on minimum of 4 mounting holes using M4 screw of maximum 5 mm (0.20 inch) length (Refer to Fig. 4). This is to maintain a safety distance between the screw and internal components.
- Ⓑ Base Mounting: Fig. 2 and Fig. 3 show the mounting hole locations for power supply assembly onto a metal mounting surface. The power supply shall be mounted on minimum of 4 mounting holes using M4 screw of maximum 4 mm (0.16 inch) length (Refer to Fig. 4). This is to maintain a safety distance between the screw and internal components.
- Ⓒ Connector
- Ⓓ This surface belongs to customer's end system or panel where the power supply is mounted.



- Use flexible cable (stranded or solid) of AWG No. 22-12. The input/output connectors' allowable current is 23A max per pin. User should calculate and select the suitable wire specification (type/quantity/diameter) according to actual output current. The torque at the connector shall not exceed 13 Kgf.cm (11.23 lbf.in). The insulation stripping length should not exceed 0.275" or 7 mm.
- Recommended mounting torque of the product and its mounting accessories is 9~12 Kgf.cm (7.81~10.42 lbf.in).



To ensure sufficient convection cooling, always maintain a distance of ≥ 20 mm (0.79 inch) from ventilated surfaces while the device is in operation. Please insert an insulation sheet between the system and product, if the safety distance is < 4 mm (0.16 inch).



- Only use M4 screw ≤ 5 mm (0.20 inch) through the base mounting holes at Ⓐ. This is to keep a safe distance between the screw and internal components.
- Only use M4 screw ≤ 4 mm (0.16 inch) through the base mounting holes at Ⓑ. This is to keep a safe distance between the screw and internal components.

Fig. 4 Assembly Reference

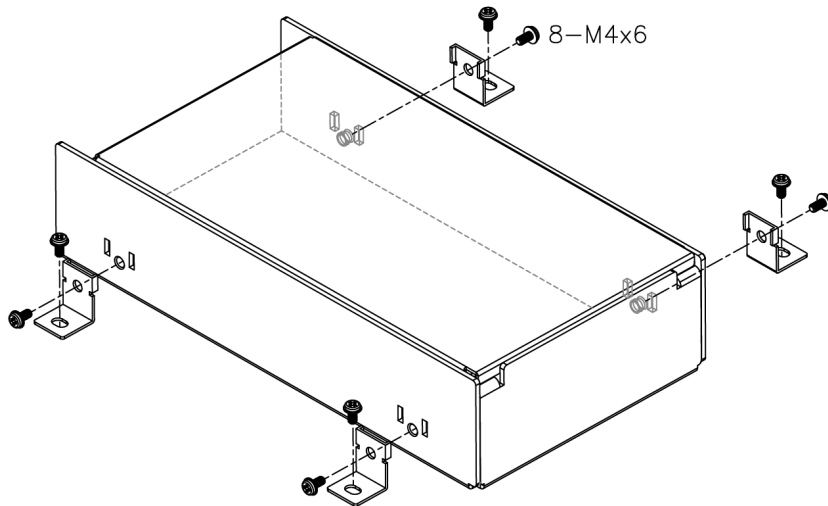
PMT Panel Mount Power Supply

24 V 200 W 1 Phase / PMT-24V200W1A□□

Safety Instructions

- Must select correct AC input voltage before turning on (Refer to the “Device Description” on Page 5).
- If user's mounting orientation is not according to the recommended mounting orientations, please consult Delta for further information.
- The device is not recommended to be placed on low thermal conductive surface. For example, plastics.
- To ensure sufficient convection cooling, always maintain a distance of ≥ 20 mm (0.79 inch) from ventilated surfaces while the device is in operation. Please insert an insulation sheet between the system and product, if the safety distance is < 4 mm (0.16 inch).
- Note that the enclosure of the device can become very hot depending on the ambient temperature and load of the power supply. Do not touch the device while it is in operation or immediately after power is turned OFF. Risk of burning!
- Do not touch the terminals while power is being supplied. Risk of electric shock.
- Prevent any foreign metal, particles or conductors from entering the device through the openings during installation. It may cause electric shock, safety hazard, fire and/or product failure.
- Warning: When connecting the device, secure Earth connection before connecting L and N. When disconnecting the device, remove L and N connections before removing the Earth connection. The power supply must be mounted by metal screws onto a grounded metal surface. It is highly recommended that the Earth terminal on the connector be connected to the grounded metal surface.

Accessories



LM-01: Top Fixing Bracket

This bracket is used to fix the power supply onto a flat surface from the top.

PMT Panel Mount Power Supply

24 V 200 W 1 Phase / PMT-24V200W1A□□

Functions

Start-up Time

The time required for the output voltage to reach 90% of its final steady state set value, after the input voltage is applied.

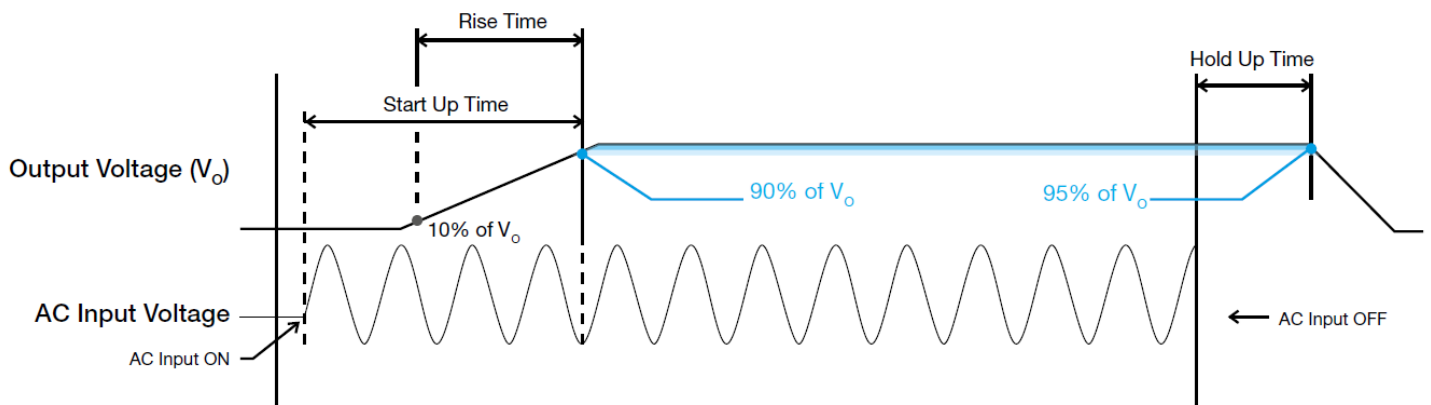
Rise Time

The time required for the output voltage to change from 10% to 90% of its final steady state set value.

Hold-up Time

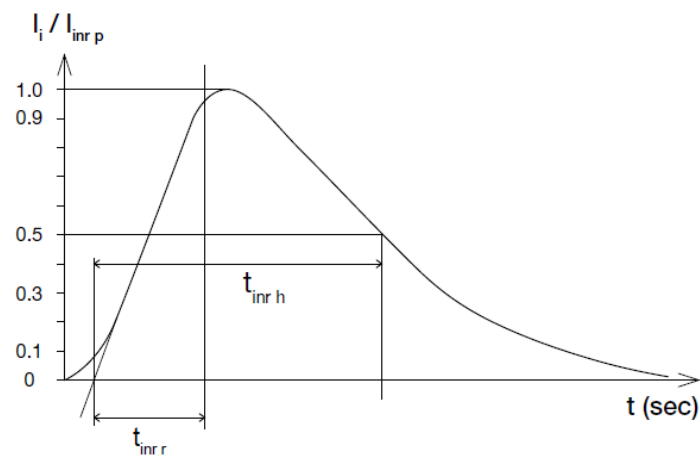
Time between the collapse of the AC input voltage, and the output falling to 95% of its steady state set value.

■ Graph illustrating the Start-up Time, Rise Time, and Hold-up Time



Inrush Current

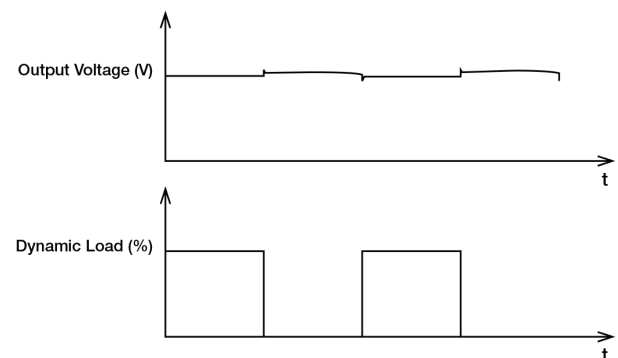
Inrush current is the peak, instantaneous, input current measured and, occurs when the input voltage is first applied. For AC input voltages, the maximum peak value of inrush current will occur during the first half cycle of the applied AC voltage. This peak value decreases exponentially during subsequent cycles of AC voltage.



Dynamic Response

The power supply output voltage will remain within $\pm 5\%$ of its steady state value, when subjected to a dynamic load from 0 to 100% of its rated current.

■ 50% duty cycle / 5 Hz to 10 KHz

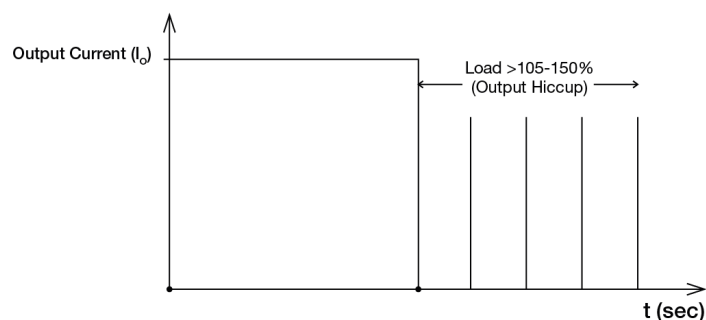


PMT Panel Mount Power Supply

24 V 200 W 1 Phase / PMT-24V200W1A□□

Overload & Overcurrent Protections (Auto-Recovery)

The power supply's Overload (OLP) and Overcurrent (OCP) Protections will be activated when output current exceeds 105-150% of I_o (Max load). In such occurrence, the V_o will start to droop and once the power supply has reached its maximum power limit, the protection is activated and the power supply will go into "Hiccup mode" (Auto-Recovery). The power supply will recover once the fault condition of the OLP and OCP is removed and I_o is back within the specifications.



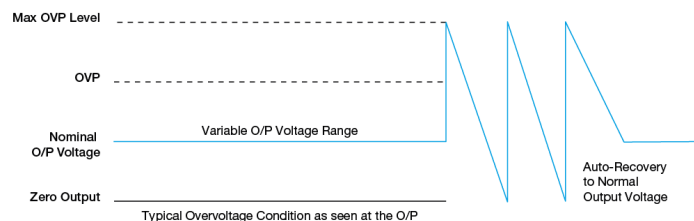
It is not recommended to prolong the duration of I_o when it is <105% but >100%, since it may cause damage to the PSU.

Short Circuit Protection (Auto-Recovery)

The power supply's output OLP/OCP function also provides protection against short circuits. When a short circuit is applied, the output current will operate in "Hiccup mode", as shown in the illustration in the OLP/OCP section on this page. The power supply will return to normal operation after the short circuit is removed.

Overvoltage Protection (Auto-Recovery)

The power supply's overvoltage circuit will be activated when its internal feedback circuit fails. The output voltage shall not exceed its specifications defined on Page 3 under "Protections".



Over Temperature Protection (Auto-Recovery)

As described in load de-rating section, the power supply also has Over Temperature Protection (OTP). In the event of a higher operating temperature at 100% load, the power supply will run into OTP when the operating temperature is beyond what is recommended in the de-rating graph. When activated, the output voltage will go into bouncing mode until the temperature drops to its normal operating temperature as recommended in the de-rating graph.

PMT Panel Mount Power Supply

24 V 200 W 1 Phase / PMT-24V200W1A□□

Operating Mode

■ Redundant Operation

In order to ensure proper redundant operation for the power supply units (PSUs), the output voltage difference between the two units must be kept at 0.45~0.50V for these 24V supplies. Follow simple steps given below to set them up for the redundant operation:

Step 1.

Measure output voltage of PSU 1 and PSU 2. If PSU 1 is the master unit, then V_O of PSU 1 must be higher than PSU 2. In order to set the output voltage, individually connect each power supply to 50% of rated load at any line voltage from 85-264Vac, and set the PSU 1 and PSU 2 output voltage.

Step 2.

Connect the power supply units PSU 1 and PSU 2 to Vin 1 & Vin 2, respectively, of the DRR-20N (or 20A) module shown on the right of above diagram.

Step 3.

Connect the system load from V_{out} . Please note that output voltage V_{out} from DRR module will be = V_O (output voltage of power supply) - V_{drop}^* (in DRR module).

* V_{drop} will vary from 0.60V to 0.90V (Typical 0.65V) depending on the load current and surrounding air temperature.

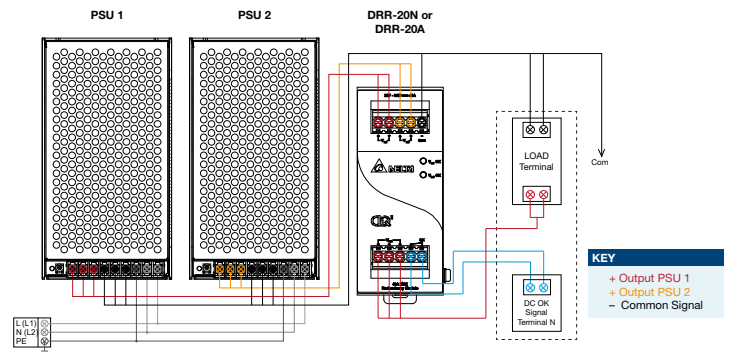


Fig. 5 Redundant Operation Connection Diagram

■ Parallel Operation

The power supply units (PSUs) can also be used for parallel operation in order to increase the output power. The difference in output voltage between the two units must be kept to within 25mV of each other. This difference must be verified with the same output load connected independently to each unit.

Parameters such as EMI, inrush current, leakage current, PARD, start up time will be different from those on the datasheet, when two units are connected in parallel. The user will need to verify that any differences will still allow the two power supplies connected in parallel will work properly in their product/application.

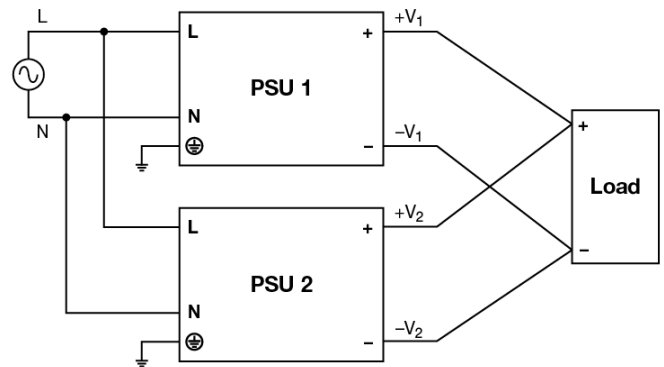


Fig. 6 Parallel Operation Connection Diagram

Others

Attention

Delta provides all information in the datasheets on an "AS IS" basis and does not offer any kind of warranty through the information for using the product. In the event of any discrepancy between the information in the catalog and datasheets, the datasheets shall prevail (please refer to www.DeltaPSU.com for the latest datasheets information). Delta shall have no liability of indemnification for any claim or action arising from any error for the provided information in the datasheets. Customer shall take its responsibility for evaluation of using the product before placing an order with Delta.

Delta reserves the right to make changes to the information described in the datasheets without notice.