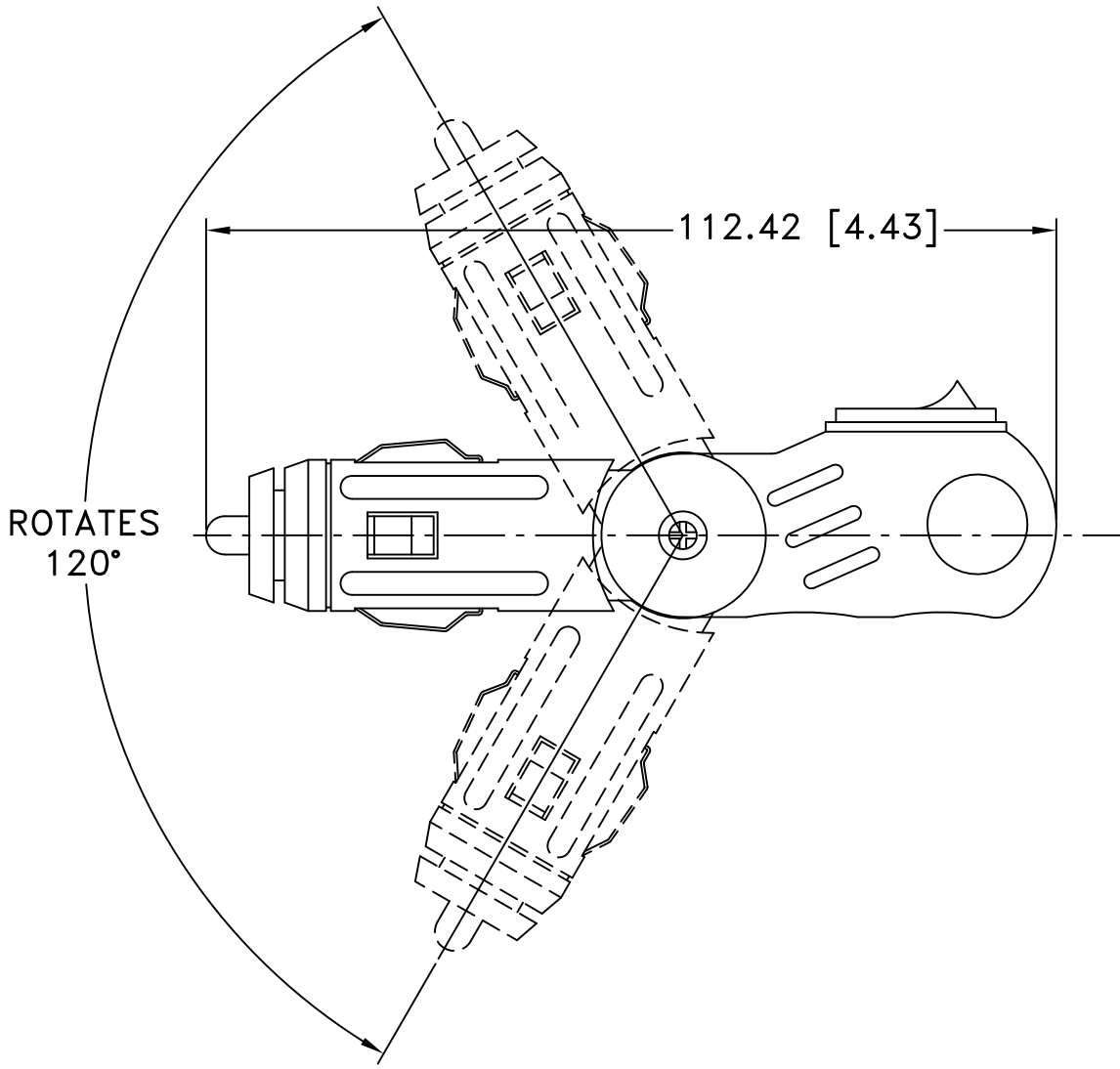



Date	SYM	REVISION RECORD	AUTH	DR.	CK.
11/15/03	A	ADDED SWITCH SPECIFICATION REVISED TITLE	T.B.	B.S.	
11/07/14	B	UPDATED TO ROHS 2 COMPLIANT	T.B.	B.S.	



ROTATES
120°

SPECIFICATION:

BODY: HIGH IMPACT ABS, UL94V-0, FILE NO. E56070(S)
 COLOR: BLACK
 CENTER CONTACT: BRASS, NICKEL PLATED
 SLIDING CONTACTS: PHOS. BRONZE, NICKEL PLATED
 SPRING: SW70C, ZINC PLATED
 FUSE: 250V, 5 AMP, 3AG 6.35mm x 30mm (1/4" X 1 1/4")
 RATED AT 18 HOURS, CONTINUOUS DUTY
 10 AMP'S MAX WITH CORRECT FUSE.
 SWITCH: RED LED, 10 AMPS - 125 VOLTS
 OR 5 AMPS - 250 VOLTS
 ROHS 2 COMPLIANT

Tolerance (Except as noted)	 Memory Protection Devices, Inc 200 Broad Hollow Road, Farmingdale, New York 11735		
decimal ±.5 (.020)		Scale	Drawn By B.S. Approved By T.B.
Fractional ± .8 (.030)	Title LIGHTED ROTARY CIGARETTE PLUG WITH 10AMP SWITCH AND 5AMP FUSE		
Angular ± 3°	Date 11/07/14	Drawing Number AP120	