

MICRO SWITCH
a Honeywell Division

FED. MFG. CODE 91 929

SWITCH - BASIC

CATALOG LISTING

3BV12B013

LP-R1656

REPLACES X100570-BV

RELEASE NO. PR-22229

CATALOG LISTING
3BV12B013
PAGE 1 OF 1

M

ISSUE
2

CHECK

REVISIONS
A CO 83290
DCS 13 AUG 96

CHECK

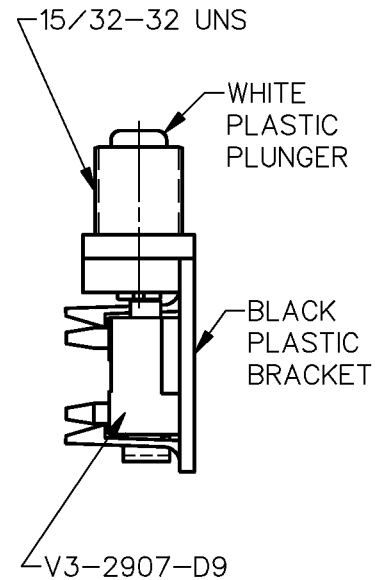
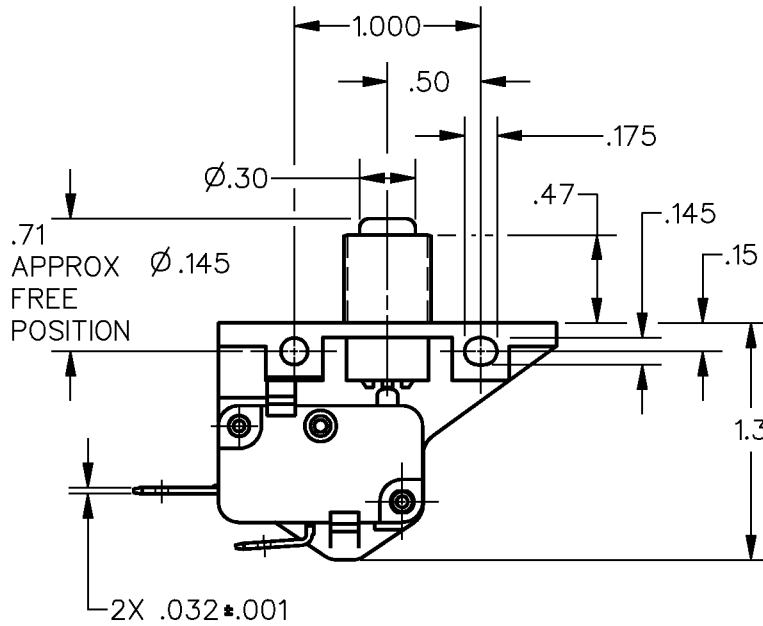
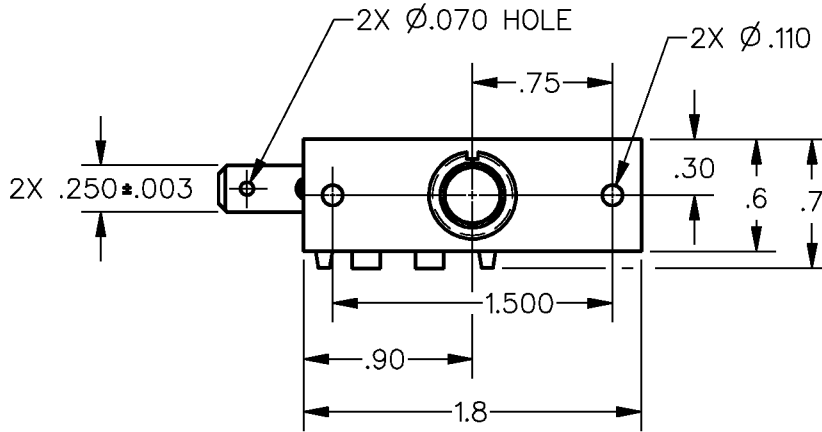
CHECK

7 JUN 96

DRAWN

DCS

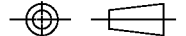
DDM/CAD



ANSI Y14.5M-1982 APPLIES

THIS DRAWING COVERS A PROPRIETARY ITEM AND IS THE PROPERTY OF MICRO SWITCH, A DIVISION OF HONEYWELL. THIS DRAWING IS NOT TO BE COPIED OR USED WITHOUT THE APPROVAL OF MICRO SWITCH.

THIRD ANGLE PROJECTION



CHARACTERISTICS	ELECTRICAL DATA	SCALE FULL	DO NOT SCALE PRINT
		UNLESS OTHERWISE SPECIFIED TOLERANCES ARE	
OPERATING FORCE --- 180 GRAMS MAX	CONTACT ARRANGEMENT S P N O	ONE PLACE (.0)	± .030
PRETRAVEL --- .052 MAX	25A, 277 VAC 1HP, 125 VAC 2HP, 250 VAC	TWO PLACE (.00)	± .015
		THREE PLACE (.000)	± .005
		ANGLES	±
		WEIGHT	

