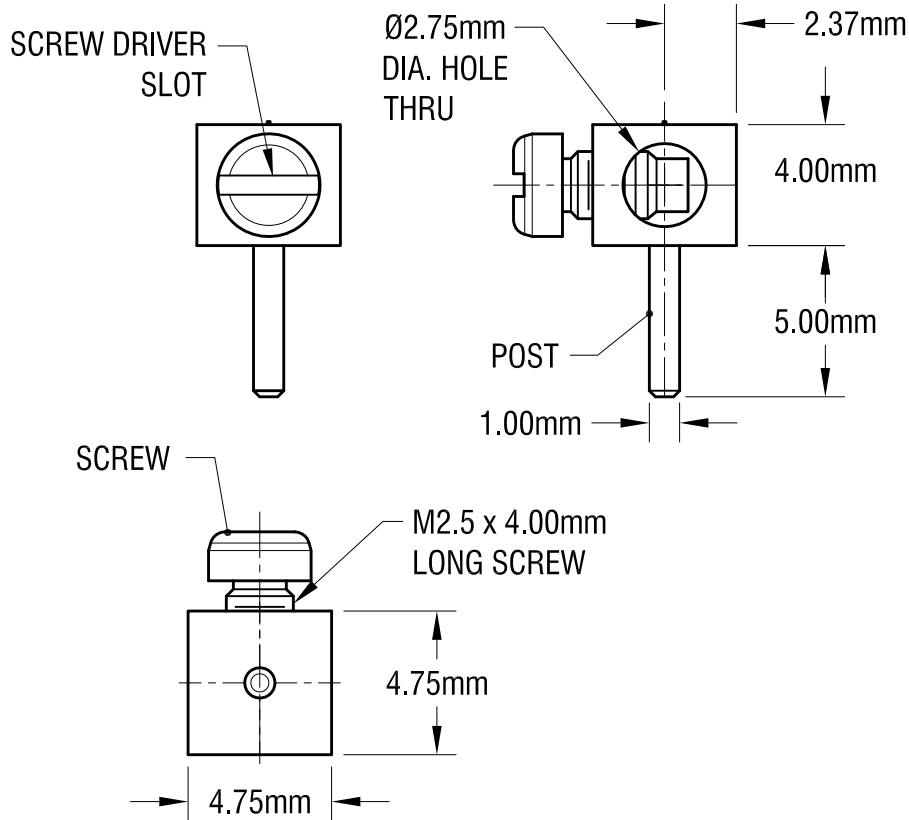


THIS DOCUMENT IS THE PROPERTY OF
KEYSTONE ELECTRONICS CORP. AND
SHALL NOT BE REPRODUCED, DISTRIBUTED
OR USED AS A BASIS FOR MANUFACTURE
WITHOUT PRIOR WRITTEN PERMISSION
FROM KEYSTONE ELECTRONICS CORP.

ACTUAL SIZE



NOTE:

1. POST: MAT'L- BRASS
FINISH- TIN PLATE
2. SCREW: MAT'L STEEL
FINISH- ZINC PLATE
3. SUGGESTED MOUNTING HOLE: 1.17mm DIA.
4. SUPPLIED ASSEMBLED
5. ALL DIMENSIONS ARE IN MILLIMETERS.

| | | | |
|---|------|----------|-------------|
| KEYSTONE ELECTRONICS CORP. | | | |
| www.keyelco.com • ASTORIA, N.Y. 11105-2017 • Tel (718) 956-8900 | | | |
| PART NAME | | | |
| METRIC MINIATURE BINDING POST | | | |
| MATERIAL | | | |
| AS NOTED | | | |
| FINISH | | DRN BY | DATE |
| AS NOTED | | NT | 7.13.16 |
| | | APP'D | SCALE |
| | | LN | 4X |
| TOLERANCES | INCH | [MM] | CODE |
| DECIMAL | ± | [± 0.13] | C |
| ANGULAR | ± 1° | | |
| UNLESS OTHERWISE SPECIFIED | | | DWG NO. |
| | | | 8734 |

| | | |
|------|-------------|------|
| DATE | DESCRIPTION | REV. |
| | | |