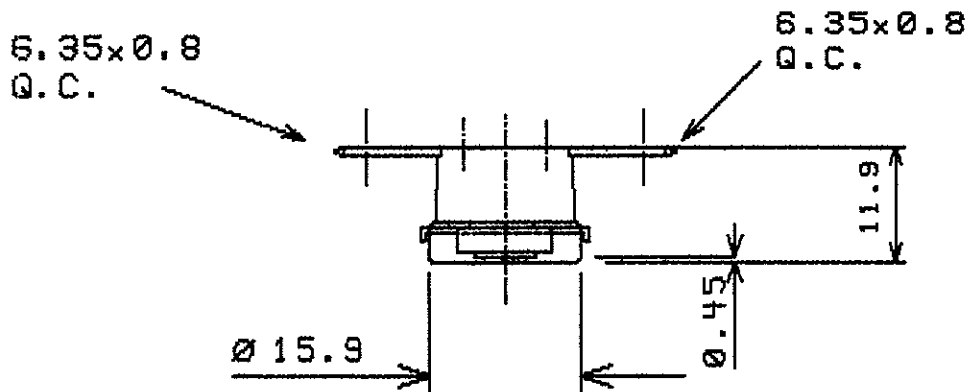
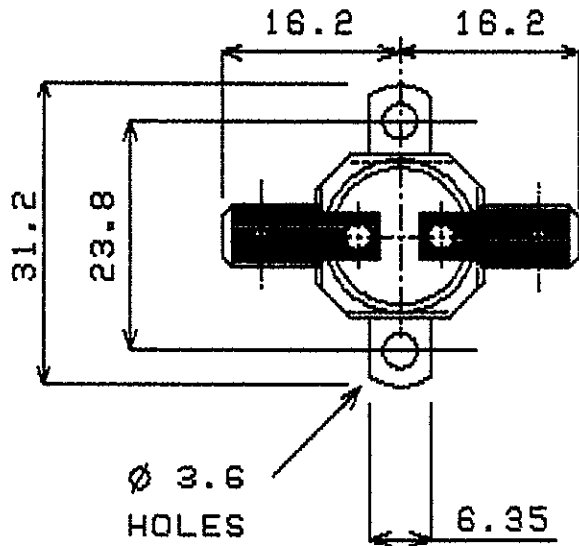


DO NOT SCALE ALL DIMENSIONS ARE FOR REFERENCE ONLY



OPERATING CRITERIA

VOLTS; 240 AMPS; 10 HZ;

OPERATING TEMPS. DEG.C

OPEN; 55 ± 3
 CLOSE; 70 ± 5

NOTE: ORIENTATION OF BRACKET IS NOT FIXED

CODING REQUIREMENTS

COLOUR; LASER CODE
 F70C RP 9100 444 XXX

CAP; B200 MAT'L; ALUMINIUM
 BRK'T; B2036 MAT'L; STEEL
 PLATING; NICKEL
 TERMINAL; T148 T148
 MATERIAL; BRASS BRASS

ISSUE	A	B							
MOD No	3052	3350							
MTH/YR	3/97	7/98							

ELMWOOD DEVICE & UNIQUE PART No. 2455RP-9100-444	ELMWOOD DRG No. 965212	ISSUE B
---	---------------------------	------------



ELMWOOD
 SENSORS LTD

DATE OF ISSUE STAMP

JUL 1998