



MACRONIX
INTERNATIONAL Co., LTD.

MX25L3235E

MX25L3235E
HIGH PERFORMANCE
SERIAL FLASH SPECIFICATION

Contents

| | |
|---|-----------|
| 1. FEATURES | 4 |
| 2. GENERAL DESCRIPTION | 6 |
| Table 1. Read Performance | 6 |
| 3. PIN CONFIGURATION | 7 |
| 4. PIN DESCRIPTION | 7 |
| 5. BLOCK DIAGRAM | 8 |
| 6. DATA PROTECTION | 9 |
| Table 2. Protected Area Sizes | 10 |
| Table 3. 4K-bit Secured OTP Definition | 11 |
| 7. MEMORY ORGANIZATION | 12 |
| Table 4. Memory Organization | 12 |
| 8. DEVICE OPERATION | 13 |
| 9. HOLD FEATURE | 14 |
| 10. COMMAND DESCRIPTION | 15 |
| Table 5. Command Sets | 15 |
| 10-1. Write Enable (WREN) | 18 |
| 10-2. Write Disable (WRDI) | 19 |
| 10-3. Read Identification (RDID) | 20 |
| 10-4. Read Status Register (RDSR) | 21 |
| 10-5. Write Status Register (WRSR) | 24 |
| Table 6. Protection Modes | 25 |
| 10-6. Read Data Bytes (READ) | 27 |
| 10-7. Read Data Bytes at Higher Speed (FAST_READ) | 28 |
| 10-8. Dual Read Mode (DREAD) | 29 |
| 10-9. 2 x I/O Read Mode (2READ) | 30 |
| 10-10. Quad Read Mode (QREAD) | 31 |
| 10-11. 4 x I/O Read Mode (4READ) | 32 |
| 10-12. Performance Enhance Mode | 33 |
| 10-13. Performance Enhance Mode Reset (FFh) | 33 |
| 10-14. Sector Erase (SE) | 36 |
| 10-15. Block Erase (BE) | 37 |
| 10-16. Block Erase (BE32K) | 38 |
| 10-17. Chip Erase (CE) | 39 |
| 10-18. Page Program (PP) | 40 |
| 10-19. 4 x I/O Page Program (4PP) | 41 |
| 10-20. Continuous Program mode (CP mode) | 44 |
| 10-21. Deep Power-down (DP) | 46 |
| 10-22. Release from Deep Power-down (RDP), Read Electronic Signature (RES) | 47 |
| 10-23. Read Electronic Manufacturer ID & Device ID (REMS), (REMS2), (REMS4) | 49 |
| 10-24. ID Read | 50 |
| Table 7. ID Definitions | 50 |
| 10-25. Enter Secured OTP (ENSO) | 50 |
| 10-26. Exit Secured OTP (EXSO) | 50 |
| 10-27. Read Security Register (RDSCUR) | 51 |
| Table 8. Security Register Definition | 52 |

| | |
|---|-----------|
| 10-28. Write Security Register (WRSCUR)..... | 53 |
| 10-29. Write Protection Selection (WPSEL)..... | 53 |
| 10-30. Single Block Lock/Unlock Protection (SBLK/SBULK)..... | 57 |
| 10-31. Read Block Lock Status (RDBLOCK)..... | 60 |
| 10-32. Gang Block Lock/Unlock (GBLK/GBULK)..... | 61 |
| 10-33. Enable SO to Output RY/BY# (ESRY)..... | 62 |
| 10-34. Disable SO to Output RY/BY# (DSRY)..... | 62 |
| 10-35. No Operation (NOP)..... | 62 |
| 10-36. Software Reset (Reset-Enable (RSTEN) and Reset (RST))..... | 62 |
| 10-37. Read SFDP Mode (RDSFDP)..... | 63 |
| Table 9. Signature and Parameter Identification Data Values..... | 64 |
| Table 10. Parameter Table (0): JEDEC Flash Parameter Tables..... | 65 |
| Table 11. Parameter Table (1): Macronix Flash Parameter Tables..... | 67 |
| 11. POWER-ON STATE..... | 69 |
| 12. ELECTRICAL SPECIFICATIONS..... | 70 |
| 12-1. Absolute Maximum Ratings..... | 70 |
| 12-2. Capacitance..... | 70 |
| Table 12. DC Characteristics..... | 72 |
| Table 13. AC Characteristics..... | 73 |
| 13. TIMING ANALYSIS..... | 75 |
| Table 14. Power-Up Timing..... | 77 |
| 13-1. Initial Delivery State..... | 77 |
| 14. OPERATING CONDITIONS..... | 78 |
| 15. ERASE AND PROGRAMMING PERFORMANCE..... | 80 |
| 16. DATA RETENTION..... | 80 |
| 17. LATCH-UP CHARACTERISTICS..... | 80 |
| 18. ORDERING INFORMATION..... | 81 |
| 19. PART NAME DESCRIPTION..... | 82 |
| 20. PACKAGE INFORMATION..... | 83 |
| 21. REVISION HISTORY..... | 86 |

32M-BIT [x 1/x 2/x 4] CMOS MXSMIO® (SERIAL MULTI I/O) FLASH MEMORY**1. FEATURES****GENERAL**

- Supports Serial Peripheral Interface -- Mode 0 and Mode 3
- 33,554,432 x 1 bit structure or 16,777,216 x 2 bits (two I/O mode) structure or 8,388,608 x 4 bits (four I/O mode) structure
- 1024 Equal Sectors with 4K bytes each
 - Any Sector can be erased individually
- 128 Equal Blocks with 32K bytes each
 - Any Block can be erased individually
- 64 Equal Blocks with 64K bytes each
 - Any Block can be erased individually
- Power Supply Operation
 - 2.7 to 3.6 volt for read, erase, and program operations
- Latch-up protected to 100mA from -1V to Vcc +1V

PERFORMANCE

- High Performance
 - VCC = 2.7~3.6V
 - Normal read
 - 50MHz
 - Fast read
 - 1 I/O: 104MHz with 8 dummy cycles
 - 2 I/O: 86MHz with 4 dummy cycles for 2READ instruction
 - 4 I/O: Up to 104MHz
 - Configurable dummy cycle number for 4 I/O read operation
 - Fast program time: 0.7ms(typ.) and 3ms(max.)/page (256-byte per page)
 - Byte program time: 12us (typical)
 - Continuous Program mode (automatically increase address under word program mode)
 - Fast erase time: 30ms (typ.)/sector (4K-byte per sector) ; 0.25s(typ.) /block (64K-byte per block); 10s(typ.) / chip
- Low Power Consumption
 - Low active read current: 19mA(max.) at 104MHz, 10mA(max.) at 33MHz
 - Low active programming current: 15mA (typ.)
 - Low active sector erase current: 10mA (typ.)
 - Low standby current: 15uA (typ.)
 - Deep power down current: 1uA (typ.)
- Typical 100,000 erase/program cycles
- 20 years data retention

SOFTWARE FEATURES

- Input Data Format
 - 1-byte Command code
- Advanced Security Features
 - BP0-BP3 block group protect
 - Flexible individual block protect when OTP WPSEL=1
 - Additional 4K bits secured OTP for unique identifier
- Auto Erase and Auto Program Algorithms
 - Automatically erases and verifies data at selected sector
 - Automatically programs and verifies data at selected page by an internal algorithm that automatically times the program pulse width (Any page to be programmed should have page in the erased state first.)
- Status Register Feature
- Electronic Identification
 - JEDEC 1-byte Manufacturer ID and 2-byte Device ID
 - RES command for 1-byte Device ID
 - The REMS,REMS2, REMS4 commands for 1-byte Manufacturer ID and 1-byte Device ID
- Support Serial Flash Discoverable Parameters (SFDP) mode

HARDWARE FEATURES

- SCLK Input
 - Serial clock input
- SI/SIO0
 - Serial Data Input or Serial Data Input/Output for 2 x I/O mode and 4 x I/O mode
- SO/SIO1
 - Serial Data Output or Serial Data Input/Output for 2 x I/O mode and 4 x I/O mode
- WP#/SIO2
 - Hardware write protection or serial data Input/Output for 4 x I/O mode
- HOLD#/SIO3
 - To pause the device without deselecting the device or serial data Input/Output for 4 x I/O mode
- PACKAGE
 - 16-pin SOP (300mil)
 - 8-pin SOP (200mil)
 - 8-WSON (6x5mm)
 - **All devices are RoHS Compliant and Halogen-free**

2. GENERAL DESCRIPTION

MX25L3235E is 32Mb bits serial Flash memory, which is configured as 4,194,304 x 8 internally. When it is in two or four I/O mode, the structure becomes 16,777,216 bits x 2 or 8,388,608 bits x 4. MX25L3235E feature a serial peripheral interface and software protocol allowing operation on a simple 3-wire bus while it is in single I/O mode. The three bus signals are a clock input (SCLK), a serial data input (SI), and a serial data output (SO). Serial access to the device is enabled by CS# input.

MX25L3235E, MXSMIO[®] (Serial Multi I/O) flash memory, provides sequential read operation on whole chip and multi-I/O features.

When it is in dual I/O mode, the SI pin and SO pin become SIO0 pin and SIO1 pin for address/dummy bits input and data output. When it is in quad I/O mode, the SI pin, SO pin, WP# pin and HOLD# pin become SIO0 pin, SIO1 pin, SIO2 pin and SIO3 pin for address/dummy bits input and data Input/Output.

After program/erase command is issued, auto program/ erase algorithms which program/ erase and verify the specified page or sector/block locations will be executed. Program command is executed on byte basis, or page (256 bytes) basis, or word basis for Continuous Program mode, and erase command is executed on sector (4K-byte), block (32K-byte/64K-byte), or whole chip basis.

To provide user with ease of interface, a status register is included to indicate the status of the chip. The status read command can be issued to detect completion status of a program or erase operation via WIP bit.

When the device is not in operation and CS# is high, it is put in standby mode.

The MX25L3235E utilizes Macronix's proprietary memory cell, which reliably stores memory contents even after 100,000 program and erase cycles.

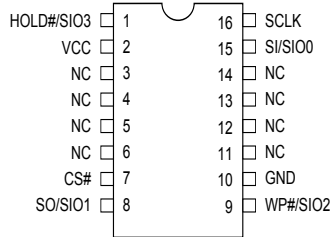
Table 1. Read Performance

| | |
|-------------------------|-------|
| Numbers of Dummy Cycles | 4 I/O |
| 6 | 86* |
| 8 | 104 |

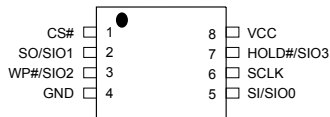
Note: *means default status

3. PIN CONFIGURATION

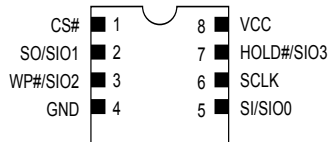
16-PIN SOP (300mil)



8-PIN SOP (200mil)



8-WSON (6x5mm)



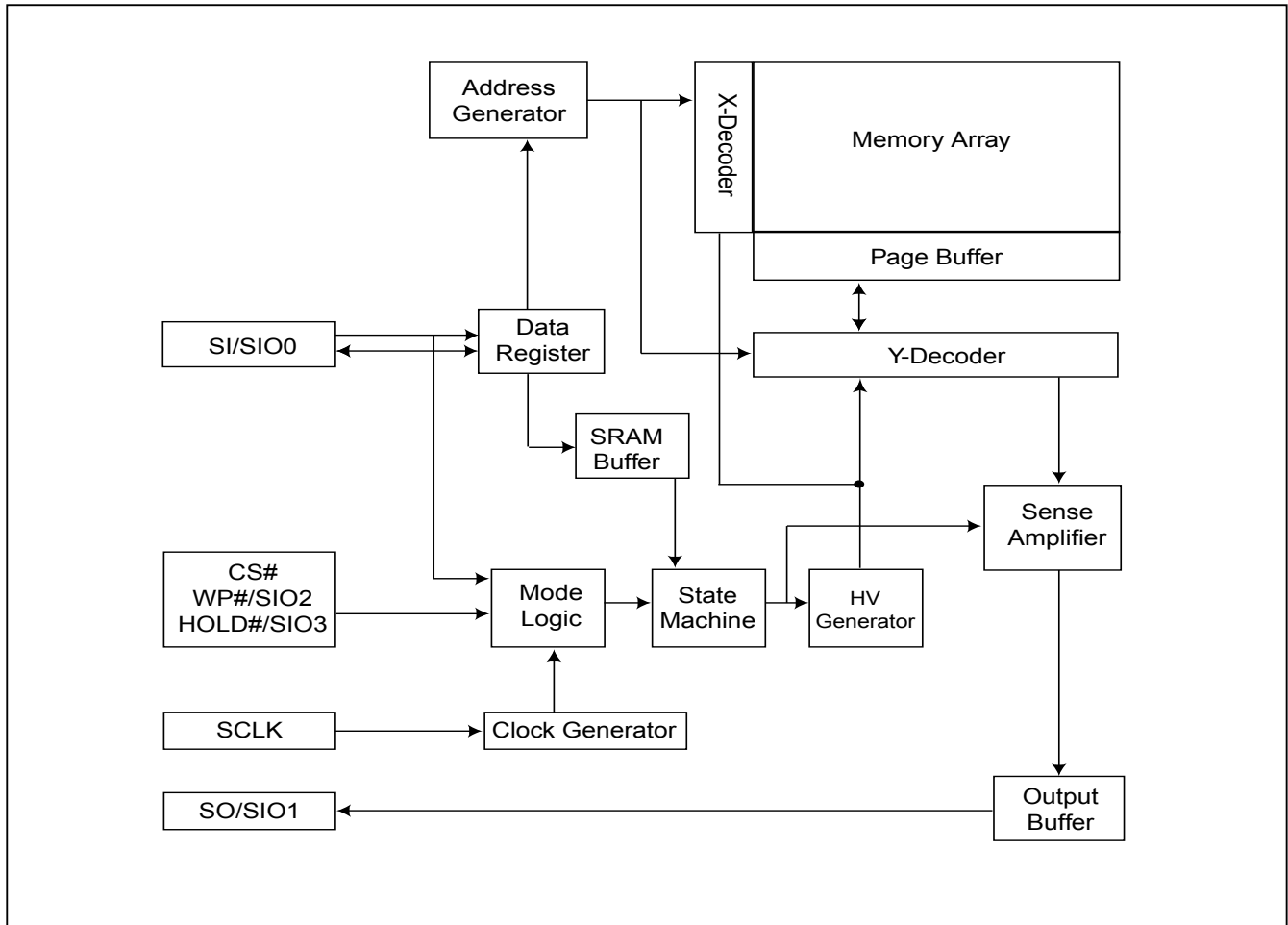
4. PIN DESCRIPTION

| SYMBOL | DESCRIPTION |
|------------|---|
| CS# | Chip Select |
| SI/SIO0 | Serial Data Input (for 1xI/O)/ Serial Data Input & Output (for 2xI/O or 4xI/O mode) |
| SO/SIO1 | Serial Data Output (for 1xI/O)/Serial Data Input & Output (for 2xI/O or 4xI/O mode) |
| SCLK | Clock Input |
| WP#/SIO2 | Write protection: connect to GND or Serial Data Input & Output (for 4xI/O mode) |
| HOLD#/SIO3 | To pause the device without deselecting the device or Serial data Input/Output for 4 x I/O mode |
| VCC | + 3.0V Power Supply |
| GND | Ground |
| NC | No Connection |

Note:

1. The HOLD# pin is internal pull high.

5. BLOCK DIAGRAM



6. DATA PROTECTION

During power transition, there may be some false system level signals which result in inadvertent erasure or programming. The device is designed to protect itself from these accidental write cycles.

The state machine will be reset as standby mode automatically during power up. In addition, the control register architecture of the device constrains that the memory contents can only be changed after specific command sequences have completed successfully.

In the following, there are several features to protect the system from the accidental write cycles during VCC power-up and power-down or from system noise.

- Valid command length checking: The command length will be checked whether it is at byte base and completed on byte boundary.
- Write Enable (WREN) command: WREN command is required to set the Write Enable Latch bit (WEL) before other command to change data. The WEL bit will return to reset stage under following situation:
 - Power-up
 - Write Disable (WRDI) command completion
 - Write Status Register (WRSR) command completion
 - Page Program (PP, 4PP) command completion
 - Continuous Program mode (CP) instruction completion
 - Sector Erase (SE) command completion
 - Block Erase (BE, BE32K) command completion
 - Chip Erase (CE) command completion
 - Single Block Lock/Unlock (SBLK/SBULK) instruction completion
 - Gang Block Lock/Unlock (GBLK/GBULK) instruction completion
- Deep Power Down Mode: By entering deep power down mode, the flash device also is under protected from writing all commands except Release from Deep Power Down mode command (RDP) and Read Electronic Signature command (RES).

I. Block lock protection

- The Software Protected Mode (SPM) uses (BP3, BP2, BP1, BP0) bits to allow part of memory to be protected as read only. The protected area definition is shown as table of "[Table 2. Protected Area Sizes](#)", the protected areas are more flexible which may protect various areas by setting value of BP0-BP3 bits.
- The Hardware Protected Mode (HPM) uses WP#/SIO2 to protect the (BP3, BP2, BP1, BP0) bits and SRWD bit. If the system goes into four I/O mode, the feature of HPM will be disabled.
- MX25L3235E provides individual block (or sector) write protect & unprotect. User may enter the mode with WPSEL command and conduct individual block (or sector) write protect with SBLK instruction, or SBULK for individual block (or sector) unprotect. Under the mode, user may conduct whole chip (all blocks) protect with GBLK instruction and unlock the whole chip with GBULK instruction.

Table 2. Protected Area Sizes

Protected Area Sizes (T/B bit = 0)

| Status bit | | | | Protect Level |
|------------|-----|-----|-----|-------------------------------|
| BP3 | BP2 | BP1 | BP0 | 32Mb |
| 0 | 0 | 0 | 0 | 0 (none) |
| 0 | 0 | 0 | 1 | 1 (1block, block 63rd) |
| 0 | 0 | 1 | 0 | 2 (2blocks, block 62nd-63rd) |
| 0 | 0 | 1 | 1 | 3 (4blocks, block 60th-63rd) |
| 0 | 1 | 0 | 0 | 4 (8blocks, block 56th-63rd) |
| 0 | 1 | 0 | 1 | 5 (16blocks, block 48th-63rd) |
| 0 | 1 | 1 | 0 | 6 (32blocks, block 32nd-63rd) |
| 0 | 1 | 1 | 1 | 7 (64blocks, protect all) |
| 1 | 0 | 0 | 0 | 8 (64blocks, protect all) |
| 1 | 0 | 0 | 1 | 9 (64blocks, protect all) |
| 1 | 0 | 1 | 0 | 10 (64blocks, protect all) |
| 1 | 0 | 1 | 1 | 11 (64blocks, protect all) |
| 1 | 1 | 0 | 0 | 12 (64blocks, protect all) |
| 1 | 1 | 0 | 1 | 13 (64blocks, protect all) |
| 1 | 1 | 1 | 0 | 14 (64blocks, protect all) |
| 1 | 1 | 1 | 1 | 15 (64blocks, protect all) |

Protected Area Sizes (T/B bit = 1)

| Status bit | | | | Protect Level |
|------------|-----|-----|-----|------------------------------|
| BP3 | BP2 | BP1 | BP0 | 32Mb |
| 0 | 0 | 0 | 0 | 0 (none) |
| 0 | 0 | 0 | 1 | 1 (1block, block 0th) |
| 0 | 0 | 1 | 0 | 2 (2blocks, block 0th-1st) |
| 0 | 0 | 1 | 1 | 3 (4blocks, block 0th-3rd) |
| 0 | 1 | 0 | 0 | 4 (8blocks, block 0th-7th) |
| 0 | 1 | 0 | 1 | 5 (16blocks, block 0th-15th) |
| 0 | 1 | 1 | 0 | 6 (32blocks, block 0th-31st) |
| 0 | 1 | 1 | 1 | 7 (64blocks, protect all) |
| 1 | 0 | 0 | 0 | 8 (64blocks, protect all) |
| 1 | 0 | 0 | 1 | 9 (64blocks, protect all) |
| 1 | 0 | 1 | 0 | 10 (64blocks, protect all) |
| 1 | 0 | 1 | 1 | 11 (64blocks, protect all) |
| 1 | 1 | 0 | 0 | 12 (64blocks, protect all) |
| 1 | 1 | 0 | 1 | 13 (64blocks, protect all) |
| 1 | 1 | 1 | 0 | 14 (64blocks, protect all) |
| 1 | 1 | 1 | 1 | 15 (64blocks, protect all) |

Note: The device is ready to accept a Chip Erase instruction if, and only if, all Block Protect (BP3, BP2, BP1, BP0) are 0.

II. Additional 4K-bit secured OTP for unique identifier: to provide 4K-bit One-Time Program area for setting device unique serial number - Which may be set by factory or system maker.

- Security register bit 0 indicates whether the chip is locked by factory or not.
- To program the 4K-bit secured OTP by entering 4K-bit secured OTP mode (with ENSO command), and going through normal program procedure, and then exiting 4K-bit secured OTP mode by writing EXSO command.
- Customer may lock-down the customer lockable secured OTP by writing WRSCUR(write security register) command to set customer lock-down bit1 as "1". Please refer to table of "[Table 8. Security Register Definition](#)" for security register bit definition and table of "[Table 3. 4K-bit Secured OTP Definition](#)" for address range definition.

Note: Once lock-down whatever by factory or customer, it cannot be changed any more. While in 4K-bit Secured OTP mode, array access is not allowed.

Table 3. 4K-bit Secured OTP Definition

| Address range | Size | Standard Factory Lock | Customer Lock |
|---------------|----------|--------------------------------|------------------------|
| xxx000~xxx00F | 128-bit | ESN (electrical serial number) | Determined by customer |
| xxx010~xxx1FF | 3968-bit | N/A | |

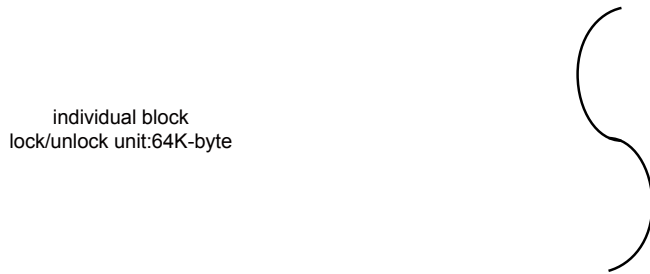
7. MEMORY ORGANIZATION

Table 4. Memory Organization

| Block(64K-byte) | Block(32K-byte) | Sector (4K-byte) | Address Range | | |
|-----------------|-----------------|------------------|---------------|-----------|-----------|
| 63 | 127 | 1023 | 3FF000h | 3FFFFFFh | |
| | | ⋮ | | | |
| | | 1016 | 3F8000h | 3F8FFFh | |
| | | 1015 | 3F7000h | 3F7FFFh | |
| | | ⋮ | | | |
| | | 1008 | 3F0000h | 3F0FFFh | |
| | | 1007 | 3EF000h | 3EFFFFFFh | |
| | | ⋮ | | | |
| | 62 | 125 | 1000 | 3E8000h | 3E8FFFh |
| | | | ⋮ | | |
| | | | 999 | 3E7000h | 3E7FFFh |
| | | | ⋮ | | |
| | | 124 | 992 | 3E0000h | 3E0FFFh |
| | | | ⋮ | | |
| | | | 991 | 3DF000h | 3DFFFFFFh |
| | | | ⋮ | | |
| 61 | 123 | 984 | 3D8000h | 3D8FFFh | |
| | | ⋮ | | | |
| | | 983 | 3D7000h | 3D7FFFh | |
| | | ⋮ | | | |
| | 122 | 976 | 3D0000h | 3D0FFFh | |
| | | ⋮ | | | |
| | | ⋮ | | | |
| | | ⋮ | | | |

individual block lock/unlock unit:64K-byte

individual 16 sectors lock/unlock unit:4K-byte



| | | | | | |
|---|----|----|---------|-----------|-----------|
| 2 | 5 | 47 | 02F000h | 02FFFFFFh | |
| | | ⋮ | | | |
| | | 40 | 028000h | 028FFFh | |
| | | 39 | 027000h | 027FFFh | |
| | | ⋮ | | | |
| | | 32 | 020000h | 020FFFh | |
| | | 4 | 31 | 01F000h | 01FFFFFFh |
| | | | ⋮ | | |
| | 24 | | 018000h | 018FFFh | |
| | 23 | | 017000h | 017FFFh | |
| | ⋮ | | | | |
| | 16 | | 010000h | 010FFFh | |
| | 3 | | 15 | 00F000h | 00FFFFFFh |
| | | | ⋮ | | |
| | | 8 | 008000h | 008FFFh | |
| | | 7 | 007000h | 007FFFh | |
| ⋮ | | | | | |
| ⋮ | | | | | |
| 1 | | 1 | 0 | 000000h | 000FFFh |
| | | | ⋮ | | |
| | ⋮ | | | | |
| | ⋮ | | | | |
| | 0 | 8 | 008000h | 008FFFh | |
| | | ⋮ | | | |
| | | 7 | 007000h | 007FFFh | |
| | | 0 | 000000h | 000FFFh | |

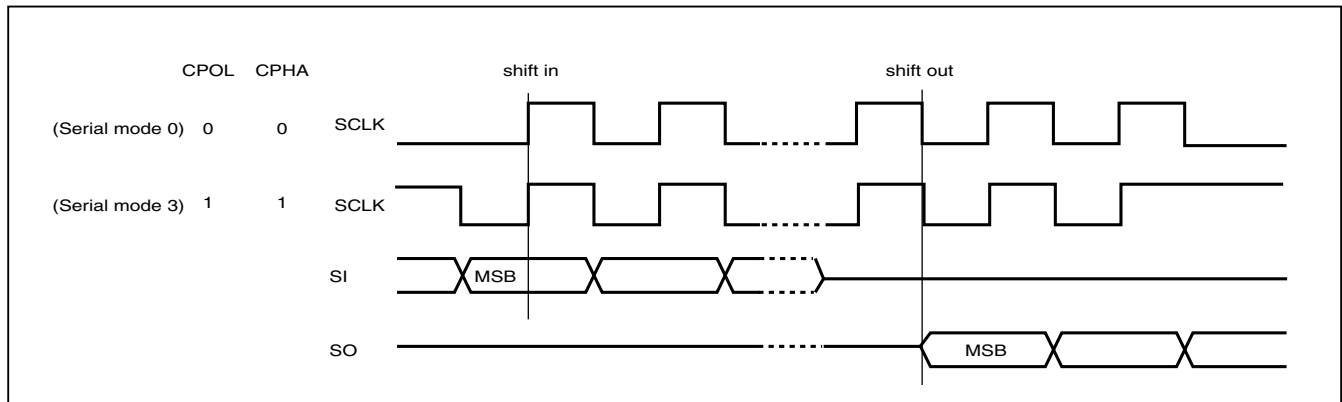
individual block lock/unlock unit:64K-byte

individual 16 sectors lock/unlock unit:4K-byte

8. DEVICE OPERATION

1. Before a command is issued, status register should be checked to ensure device is ready for the intended operation.
2. When incorrect command is inputted to this LSI, this LSI becomes standby mode and keeps the standby mode until next CS# falling edge. In standby mode, SO pin of this LSI should be High-Z.
3. When correct command is inputted to this LSI, this LSI becomes active mode and keeps the active mode until next CS# rising edge.
4. For standard single data rate serial mode, input data is latched on the rising edge of Serial Clock(SCLK) and data shifts out on the falling edge of SCLK. The difference of Serial mode 0 and mode 3 is shown as "[Figure 1. Serial Modes Supported \(for Normal Serial mode\)](#)".
5. For the following instructions: RDID, RDSR, RDSCUR, READ, FAST_READ, RDSFDP, 2READ, DREAD, 4READ, QREAD, RDBLOCK, RES, REMS, REMS2, and REMS4 the shifted-in instruction sequence is followed by a data-out sequence. After any bit of data being shifted out, the CS# can be high. For the following instructions: WREN, WRDI, WRSR, SE, BE, BE32K, HPM, CE, PP, CP, 4PP, RDP, DP, WPSEL, SBLK, SBULK, GBLK, GBULK, ENSO, EXSO, WRSCUR, ESRY and DSRV. The CS# must go high exactly at the byte boundary; otherwise, the instruction will be rejected and not executed.
6. During the progress of Write Status Register, Program, Erase operation, to access the memory array is neglected and not affect the current operation of Write Status Register, Program, Erase.

Figure 1. Serial Modes Supported (for Normal Serial mode)



Note:

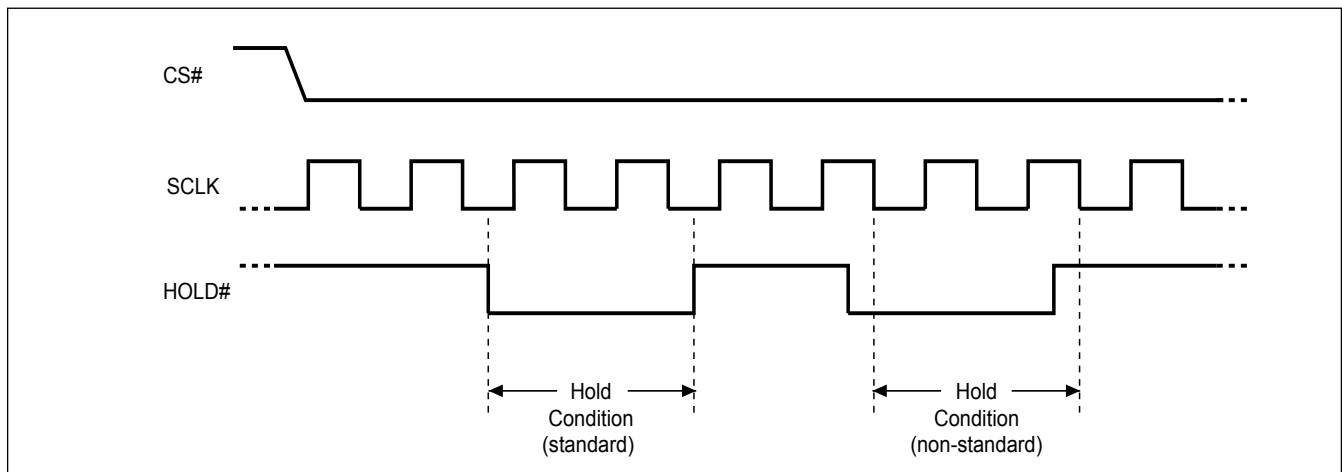
CPOL indicates clock polarity of Serial master, CPOL=1 for SCLK high while idle, CPOL=0 for SCLK low while not transmitting. CPHA indicates clock phase. The combination of CPOL bit and CPHA bit decides which Serial mode is supported.

9. HOLD FEATURE

HOLD# pin signal goes low to hold any serial communications with the device. The HOLD feature will not stop the operation of write status register, programming, or erasing in progress.

The operation of HOLD requires Chip Select (CS#) keeping low and starts on falling edge of HOLD# pin signal while Serial Clock (SCLK) signal is being low (if Serial Clock signal is not being low, HOLD operation will not start until Serial Clock signal being low). The HOLD condition ends on the rising edge of HOLD# pin signal while Serial Clock(SCLK) signal is being low(if Serial Clock signal is not being low, HOLD operation will not end until Serial Clock being low).

Figure 2. Hold Condition Operation



The Serial Data Output (SO) is high impedance, both Serial Data Input (SI) and Serial Clock (SCLK) are don't care during the HOLD operation. If Chip Select (CS#) drives high during HOLD operation, it will reset the internal logic of the device. To re-start communication with chip, the HOLD# must be at high and CS# must be at low.

Note: The HOLD feature is disabled during Quad I/O mode.

10. COMMAND DESCRIPTION

Table 5. Command Sets

Read Commands

| I/O | 1 | 1 | 1 | 2 | 2 | 4 | 4 |
|----------|--------------------------------------|--------------------------------------|-----------------------|---|---|-----------------------------------|--|
| Command | READ (normal read) | FAST READ (fast read data) | RDSFDP (Read SFDP) | 2READ (2 x I/O read command) | DREAD (1I / 2O read command) | W4READ | 4READ (4 x I/O read command) |
| 1st byte | 03 (hex) | 0B (hex) | 5A (hex) | BB (hex) | 3B (hex) | E7 (hex) | EB (hex) |
| 2nd byte | AD1 | AD1 | AD1 | AD1 | AD1 | AD1 | AD1 |
| 3rd byte | AD2 | AD2 | AD2 | AD2 | AD2 | AD2 | AD2 |
| 4th byte | AD3 | AD3 | AD3 | AD3 | AD3 | AD3 | AD3 |
| 5th byte | | Dummy | Dummy | Dummy | Dummy | Dummy | Dummy* |
| Action | n bytes read out until CS# goes high | n bytes read out until CS# goes high | Read SFDP mode | n bytes read out by 2 x I/O until CS# goes high | n bytes read out by Dual Output until CS# goes high | Quad I/O read with 4 dummy cycles | Quad I/O read with configurable dummy cycles |

| I/O | 4 |
|----------|---|
| Command | QREAD |
| 1st byte | 6B (hex) |
| 2nd byte | AD1 |
| 3rd byte | AD2 |
| 4th byte | AD3 |
| 5th byte | Dummy |
| Action | n bytes read out by Quad Output until CS# goes high |

Note: *Dummy cycle number will be different, depending on the bit7 (DC) setting of Configuration Register. Please refer to "[Configuration Register](#)" Table

Other Commands

| Command | WREN (write enable) | WRDI (write disable) | RDSR (read status register) | RDCR (read configuration register) | WRSR (write status/ configuration register) | 4PP (quad page program) | SE (sector erase) |
|----------|---------------------------------------|---|---|--|---|---|------------------------------|
| 1st byte | 06 (hex) | 04 (hex) | 05 (hex) | 15 (hex) | 01 (hex) | 38 (hex) | 20 (hex) |
| 2nd byte | | | | | Values | AD1 | AD1 |
| 3rd byte | | | | | Values | AD2 | AD2 |
| 4th byte | | | | | | AD3 | AD3 |
| Action | sets the (WEL) write enable latch bit | resets the (WEL) write enable latch bit | to read out the values of the status register | to read out the values of the configuration register | to write new values of the status register | quad input to program the selected page | to erase the selected sector |

| Command | BE 32K (block erase 32KB) | BE (block erase 64KB) | CE (chip erase) | PP (page program) | CP (continuous program) | DP (Deep power down) | RDP (Release from deep power down) |
|----------|----------------------------------|----------------------------------|---------------------|------------------------------|--|-----------------------------|------------------------------------|
| 1st byte | 52 (hex) | D8 (hex) | 60 or C7 (hex) | 02 (hex) | AD (hex) | B9 (hex) | AB (hex) |
| 2nd byte | AD1 | AD1 | | AD1 | AD1 | | |
| 3rd byte | AD2 | AD2 | | AD2 | AD2 | | |
| 4th byte | AD3 | AD3 | | AD3 | AD3 | | |
| Action | to erase the selected 32KB block | to erase the selected 64KB block | to erase whole chip | to program the selected page | continuously program whole chip, the address is automatically increase | enters deep power down mode | release from deep power down mode |

| Command | RDID (read identification) | RES (read electronic ID) | REMS (read electronic manufacturer & device ID) | REMS2 (read electronic manufacturer & device ID) | REMS4 (read electronic manufacturer & device ID) | ENSO (enter secured OTP) |
|----------|---|------------------------------|---|--|--|--------------------------------------|
| 1st byte | 9F (hex) | AB (hex) | 90 (hex) | EF (hex) | DF (hex) | B1 (hex) |
| 2nd byte | | x | x | x | x | |
| 3rd byte | | x | x | x | x | |
| 4th byte | | x | ADD (Note 2) | ADD | ADD | |
| Action | outputs JEDEC ID: 1-byte Manufacturer ID & 2-byte Device ID | to read out 1-byte Device ID | output the Manufacturer ID & Device ID | output the Manufacturer ID & Device ID | output the Manufacturer ID & device ID | to enter the 4K-bit secured OTP mode |

| Command | EXSO (exit secured OTP) | RDSCUR (read security register) | WRSCUR (write security register) | SBLK (single block lock) | SBULK (single block unlock) | RDBLOCK (block protect read) | GBLK (gang block lock) |
|----------|-------------------------------------|------------------------------------|--|---|---|--|--------------------------|
| 1st byte | C1 (hex) | 2B (hex) | 2F (hex) | 36 (hex) | 39 (hex) | 3C (hex) | 7E (hex) |
| 2nd byte | | | | AD1 | AD1 | AD1 | |
| 3rd byte | | | | AD2 | AD2 | AD2 | |
| 4th byte | | | | AD3 | AD3 | AD3 | |
| Action | to exit the 4K-bit secured OTP mode | to read value of security register | to set the lock-down bit as "1" (once lock-down, cannot be update) | individual block (64K-byte) or sector (4K-byte) write protect | individual block (64K-byte) or sector (4K-byte) unprotect | read individual block or sector write protect status | whole chip write protect |

| COMMAND | GBULK (gang block unlock) | NOP (No Operation) | RSTEN (Reset Enable) | RST (Reset Memory) | WPSEL (Write Protect Selection) | ESRY (enable SO to output RY/BY#) | DSRY (disable SO to output RY/BY#) |
|----------|---------------------------|--------------------|----------------------|--------------------|---|--|---|
| 1st byte | 98 (hex) | 00 (hex) | 66 (hex) | 99 (hex) | 68 (hex) | 70 (hex) | 80 (hex) |
| 2nd byte | | | | | | | |
| 3rd byte | | | | | | | |
| 4th byte | | | | | | | |
| Action | whole chip unprotect | | | | to enter and enable individual block protect mode | to enable SO to output RY/BY# during CP mode | to disable SO to output RY/BY# during CP mode |

| COMMAND | Release Read Enhanced |
|----------|--|
| 1st byte | FF (hex) |
| 2nd byte | |
| 3rd byte | |
| 4th byte | |
| 5th byte | |
| Action | All these commands FFh, 00h, AAh or 55h will escape the performance mode |

Note 1: The count base is 4-bit for ADD(2) and Dummy(2) because of 2 x I/O. And the MSB is on SI/SIO1 which is different from 1 x I/O condition.

Note 2: ADD=00H will output the manufacturer ID first and ADD=01H will output device ID first.

Note 3: It is not recommended to adopt any other code not in the command definition table, which will potentially enter the hidden mode.

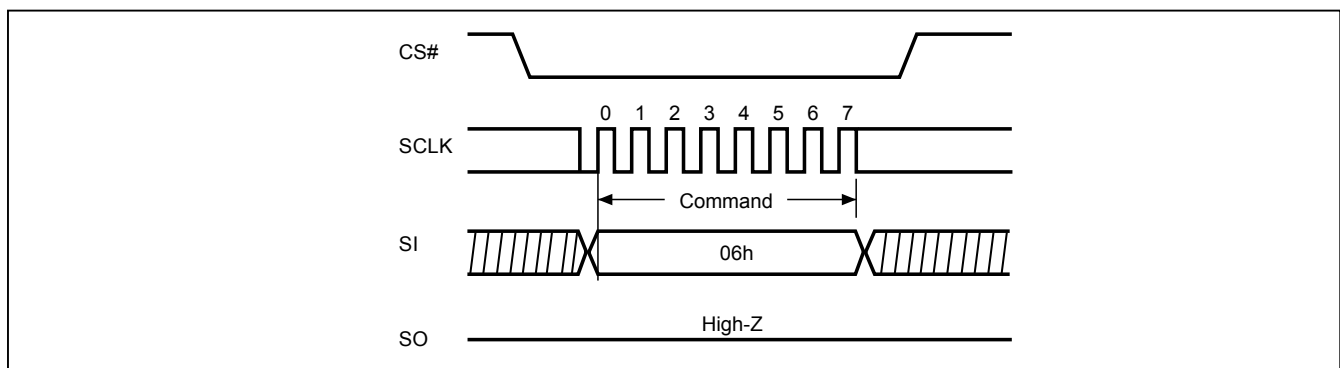
Note 4: Before executing RST command, RSTEN command must be executed. If there is any other command to interfere, the reset operation will be disabled.

10-1. Write Enable (WREN)

The Write Enable (WREN) instruction is for setting Write Enable Latch (WEL) bit. For those instructions like PP, 4PP, CP, SE, BE, BE32K, CE, WRSR, WRSCUR, WPSEL, SBLK, SBULK, GBLK and GBULK, which are intended to change the device content, should be set every time after the WREN instruction setting the WEL bit.

The sequence of issuing WREN instruction is: CS# goes low→ sending WREN instruction code→ CS# goes high.

The SIO[3:1] are don't care in this mode.

Figure 3. Write Enable (WREN) Sequence (Command 06)

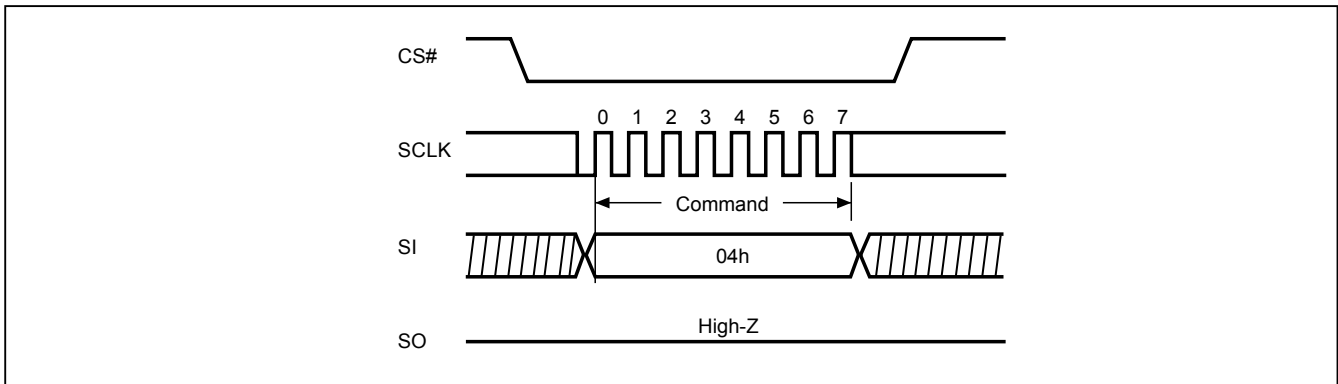
10-2. Write Disable (WRDI)

The Write Disable (WRDI) instruction is for resetting Write Enable Latch (WEL) bit.

The sequence of issuing WRDI instruction is: CS# goes low→ sending WRDI instruction code→ CS# goes high.

The WEL bit is reset by following situations:

- Power-up
- Write Disable (WRDI) instruction completion
- Write Status/Configuration Register (WRSR) instruction completion
- Page Program (PP, 4PP) instruction completion
- Sector Erase (SE) instruction completion
- Block Erase (BE, BE32K) instruction completion
- Chip Erase (CE) instruction completion
- Continuous Program mode (CP) instruction completion
- Single Block Lock/Unlock (SBLK/SBULK) instruction completion
- Gang Block Lock/Unlock (GBLK/GBULK) instruction completion

Figure 4. Write Disable (WRDI) Sequence (Command 04)

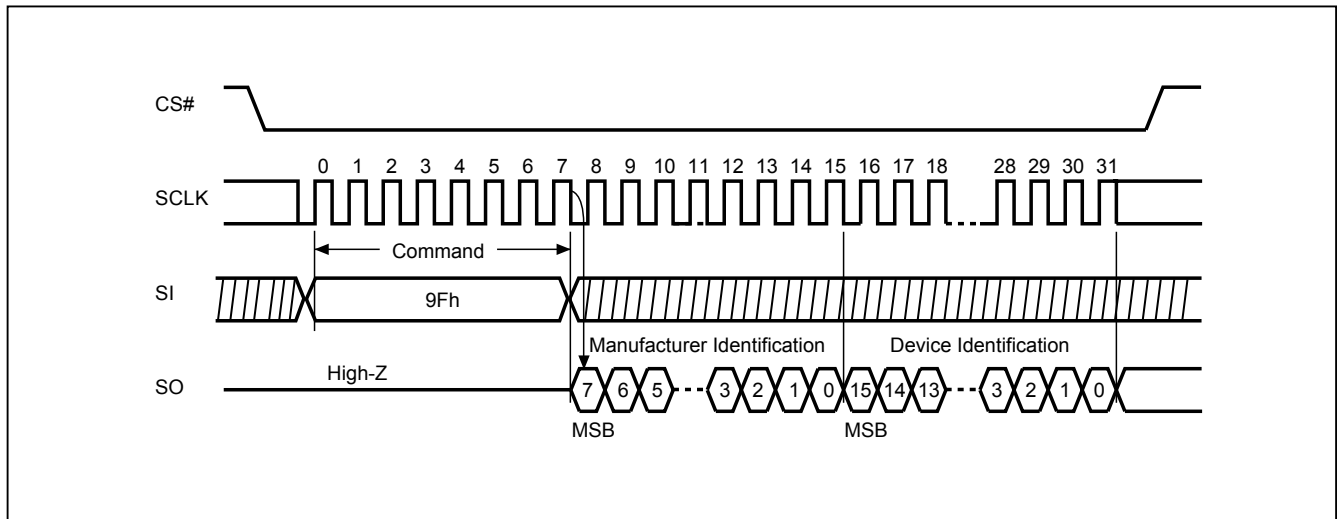
10-3. Read Identification (RDID)

The RDID instruction is for reading the Manufacturer ID of 1-byte and followed by Device ID of 2-byte. The Macronix Manufacturer ID is C2(hex), the memory type ID is 20(hex) as the first-byte Device ID, and the individual Device ID of second-byte ID are listed as table of *"Table 7. ID Definitions"*.

The sequence of issuing RDID instruction is: CS# goes low → sending RDID instruction code → 24-bits ID data out on SO → to end RDID operation can use CS# to high at any time during data out.

While Program/Erase operation is in progress, it will not decode the RDID instruction, so there's no effect on the cycle of program/erase operation which is currently in progress. When CS# goes high, the device is at standby stage.

Figure 5. Read Identification (RDID) Sequence (Command 9F)

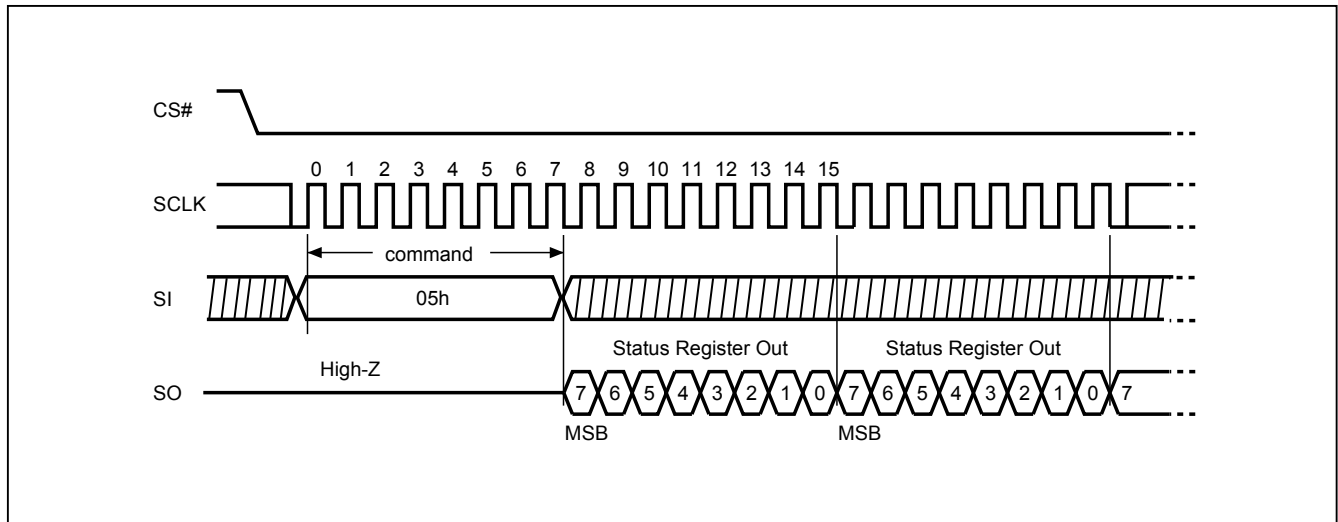


10-4. Read Status Register (RDSR)

The RDSR instruction is for reading Status Register. The Read Status Register can be read at any time (even in program/erase/write status register condition) and continuously. It is recommended to check the Write in Progress (WIP) bit before sending a new instruction when a program, erase, or write status register operation is in progress.

The sequence of issuing RDSR instruction is: CS# goes low→ sending RDSR instruction code→ Status Register data out on SO.

The SIO[3:1] are don't care when during this mode.

Figure 6. Read Status Register (RDSR) Sequence (Command 05)

The definition of the status register bits is as below:

WIP bit. The Write in Progress (WIP) bit, a volatile bit, indicates whether the device is busy in program/erase/write status register progress. When WIP bit sets to 1, which means the device is busy in program/erase/write status register progress. When WIP bit sets to 0, which means the device is not in progress of program/erase/write status register cycle.

WEL bit. The Write Enable Latch (WEL) bit, a volatile bit, indicates whether the device is set to internal write enable latch. When WEL bit sets to "1", which means the internal write enable latch is set, the device can accept program/erase/write status register instruction. When WEL bit sets to 0, which means no internal write enable latch; the device will not accept program/erase/write status register instruction. The program/erase command will be ignored and will reset WEL bit if it is applied to a protected memory area. To ensure both WIP bit & WEL bit are both set to 0 and available for next program/erase/operations, WIP bit needs to be confirm to be 0 before polling WEL bit. After WIP bit confirmed, WEL bit needs to be confirm to be 0.

BP3, BP2, BP1, BP0 bits. The Block Protect (BP3, BP2, BP1, BP0) bits, non-volatile bits, indicate the protected area (as defined in *"Table 2. Protected Area Sizes"*) of the device to against the program/erase instruction without hardware protection mode being set. To write the Block Protect (BP3, BP2, BP1, BP0) bits requires the Write Status Register (WRSR) instruction to be executed. Those bits define the protected area of the memory to against Page Program (PP), Sector Erase (SE), Block Erase (BE) and Chip Erase (CE) instructions (only if all Block Protect bits set to 0, the CE instruction can be executed). The BP3, BP2, BP1, BP0 bits are "0" as default. Which is un-protected.

QE bit. The Quad Enable (QE) bit, non-volatile bit, while it is "0" (factory default), it performs non-Quad and WP# is enable. While QE is "1", it performs Quad I/O mode and WP# is disabled. In the other word, if the system goes into four I/O mode (QE=1), the feature of HPM will be disabled.

SRWD bit. The Status Register Write Disable (SRWD) bit, non-volatile bit, default value is "0". SRWD bit is operated together with Write Protection (WP#/SIO2) pin for providing hardware protection mode. The hardware protection mode requires SRWD sets to 1 and WP#/SIO2 pin signal is low stage. In the hardware protection mode, the Write Status Register (WRSR) instruction is no longer accepted for execution and the SRWD bit and Block Protect bits (BP3, BP2, BP1, BP0) are read only. The SRWD bit defaults to be "0".

Status Register

| bit7 | bit6 | bit5 | bit4 | bit3 | bit2 | bit1 | bit0 |
|---|-------------------------------------|-----------------------------------|-----------------------------------|-----------------------------------|-----------------------------------|--------------------------------------|---|
| SRWD (status register write protect) | QE (Quad Enable) | BP3 (level of protected block) | BP2 (level of protected block) | BP1 (level of protected block) | BP0 (level of protected block) | WEL (write enable latch) | WIP (write in progress bit) |
| 1=status register write disable | 1= Quad Enable 0=not Quad Enable | (note 1) | (note 1) | (note 1) | (note 1) | 1=write enable 0=not write enable | 1=write operation 0=not in write operation |
| Non-volatile bit | Non-volatile bit | Non-volatile bit | Non-volatile bit | Non-volatile bit | Non-volatile bit | volatile bit | volatile bit |

Note: See the *"Table 2. Protected Area Sizes"* .

Configuration Register

The Configuration Register is able to change the default status of Flash memory. Flash memory will be configured after the CR bit is set.

TB bit

The Top/Bottom (TB) bit is a non-volatile OTP bit. The Top/Bottom (TB) bit is used to configure the Block Protect area by BP bit (BP3, BP2, BP1, BP0), starting from TOP or Bottom of the memory array. The TB bit is defaulted as "0", which means Top area protect. When it is set as "1", the protect area will change to Bottom area of the memory device. To write the TB bits requires the Write Status Register (WRSR) instruction to be executed.

Configuration Register

| bit7 | bit6 | bit5 | bit4 | bit3 | bit2 | bit1 | bit0 |
|---------------------|----------|----------|----------|--|----------|----------|----------|
| DC (Dummy Cycle) | Reserved | Reserved | Reserved | TB (top/bottom selected) | Reserved | Reserved | Reserved |
| (Note) | x | x | x | 0=Top area protect 1=Bottom area protect (Default=0) | x | x | x |
| Volatile bit | x | x | x | OTP | x | x | x |

Note: See "[Dummy Cycle and Frequency Table](#)", with "Don't Care" on other Reserved Configuration Registers.

Dummy Cycle and Frequency Table

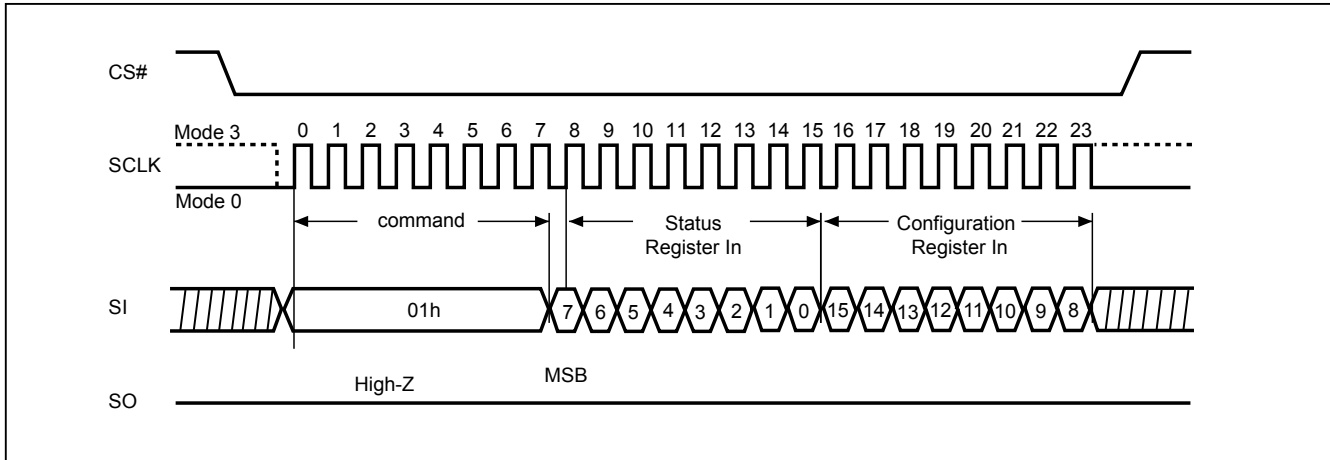
| DC | Numbers of Dummy clock cycles | Quad I/O Fast Read |
|-------------|----------------------------------|--------------------|
| 1 | 8 | 104 |
| 0 (default) | 6 | 86 |

10-5. Write Status Register (WRSR)

The WRSR instruction is for changing the values of Status Register Bits and Configuration Register Bits. Before sending WRSR instruction, the Write Enable (WREN) instruction must be decoded and executed to set the Write Enable Latch (WEL) bit in advance. The WRSR instruction can change the value of Block Protect (BP3, BP2, BP1, BP0) bits to define the protected area of memory (as shown in "Table 2. Protected Area Sizes"). The WRSR also can set or reset the Quad enable (QE) bit and set or reset the Status Register Write Disable (SRWD) bit in accordance with Write Protection (WP#/SIO2) pin signal, but has no effect on bit1(WEL) and bit0 (WIP) of the status register. The WRSR instruction cannot be executed once the Hardware Protected Mode (HPM) is entered.

The sequence of issuing WRSR instruction is: CS# goes low→ sending WRSR instruction code→ Status Register data on SI→ CS# goes high.

Figure 7. Write Status Register (WRSR) Sequence (Command 01)



The CS# must go high exactly at the byte boundary; otherwise, the instruction will be rejected and not executed. The self-timed Write Status Register cycle time (tW) is initiated as soon as Chip Select (CS#) goes high. The Write in Progress (WIP) bit still can be checked out during the Write Status Register cycle is in progress. The WIP sets 1 during the tW timing, and sets 0 when Write Status Register Cycle is completed, and the Write Enable Latch (WEL) bit is reset.

Table 6. Protection Modes

| Mode | Status register condition | WP# and SRWD bit status | Memory |
|--------------------------------|---|--|--|
| Software protection mode (SPM) | Status register can be written in (WEL bit is set to "1") and the SRWD, BP0-BP3 bits can be changed | WP#=1 and SRWD bit=0, or WP#=0 and SRWD bit=0, or WP#=1 and SRWD=1 | The protected area cannot be programmed or erased. |
| Hardware protection mode (HPM) | The SRWD, BP0-BP3 of status register bits cannot be changed | WP#=0, SRWD bit=1 | The protected area cannot be programmed or erased. |

Note: As defined by the values in the Block Protect (BP3, BP2, BP1, BP0) bits of the Status Register, as shown in "[Table 2. Protected Area Sizes](#)".

As the table above showing, the summary of the Software Protected Mode (SPM) and Hardware Protected Mode (HPM):

Software Protected Mode (SPM):

- When SRWD bit=0, no matter WP#/SIO2 is low or high, the WREN instruction may set the WEL bit and can change the values of SRWD, BP3, BP2, BP1, BP0. The protected area, which is defined by BP3, BP2, BP1, BP0, is at software protected mode (SPM).
- When SRWD bit=1 and WP#/SIO2 is high, the WREN instruction may set the WEL bit can change the values of SRWD, BP3, BP2, BP1, BP0. The protected area, which is defined by BP3, BP2, BP1, BP0, is at software protected mode (SPM)

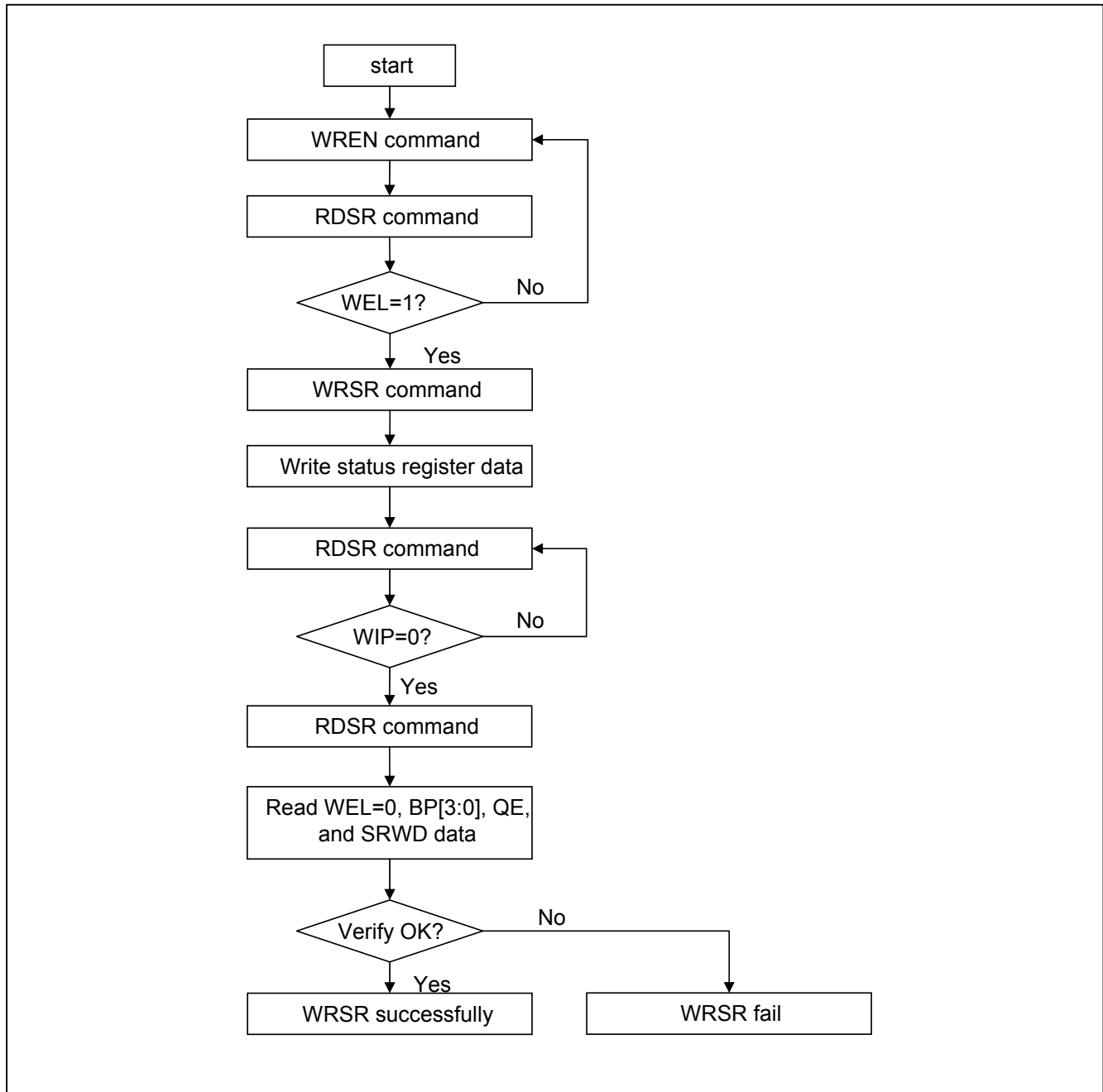
Hardware Protected Mode (HPM):

- When SRWD bit=1, and then WP#/SIO2 is low (or WP#/SIO2 is low before SRWD bit=1), it enters the hardware protected mode (HPM). The data of the protected area is protected by software protected mode by BP3, BP2, BP1, BP0 and hardware protected mode by the WP#/SIO2 to against data modification.

Note:

To exit the hardware protected mode requires WP#/SIO2 driving high once the hardware protected mode is entered. If the WP#/SIO2 pin is permanently connected to high, the hardware protected mode can never be entered; only can use software protected mode via BP3, BP2, BP1, BP0.

If the system goes into four I/O mode, the feature of HPM will be disabled.

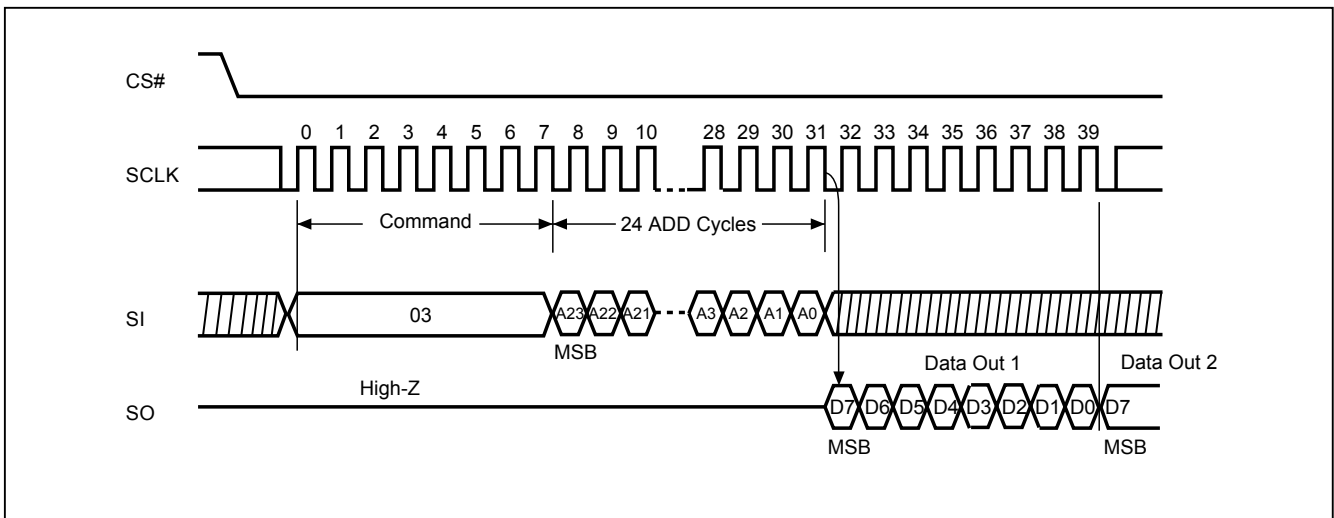
Figure 8. WRSR flow

10-6. Read Data Bytes (READ)

The read instruction is for reading data out. The address is latched on rising edge of SCLK, and data shifts out on the falling edge of SCLK at a maximum frequency f_R . The first address byte can be at any location. The address is automatically increased to the next higher address after each byte data is shifted out, so the whole memory can be read out at a single READ instruction. The address counter rolls over to 0 when the highest address has been reached.

The sequence of issuing READ instruction is: CS# goes low → sending READ instruction code → 3-byte address on SI → data out on SO → to end READ operation can use CS# to high at any time during data out.

Figure 9. Read Data Bytes (READ) Sequence (Command 03)



10-7. Read Data Bytes at Higher Speed (FAST_READ)

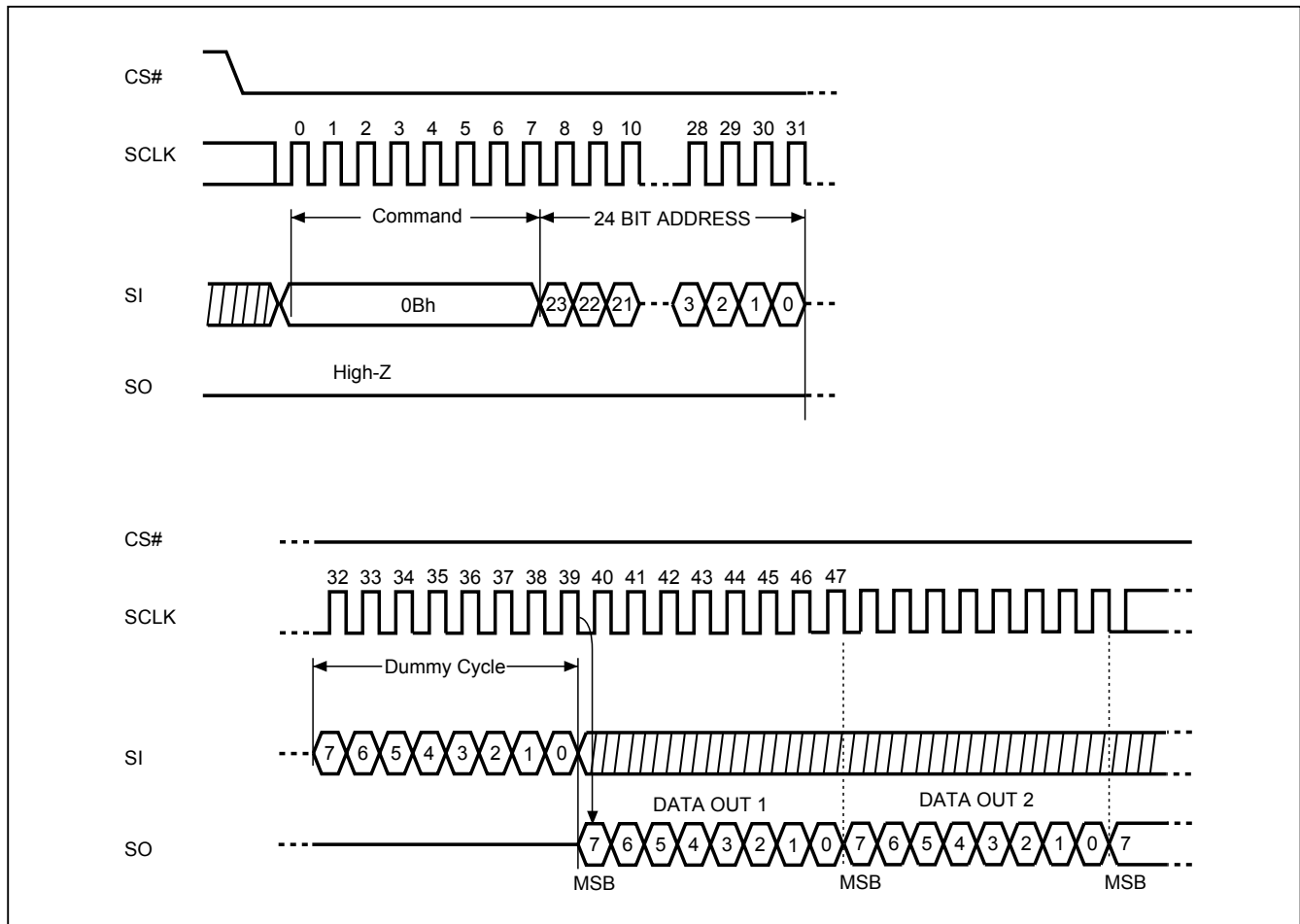
The FAST_READ instruction is for quickly reading data out. The address is latched on rising edge of SCLK, and data of each bit shifts out on the falling edge of SCLK at a maximum frequency fC. The first address byte can be at any location. The address is automatically increased to the next higher address after each byte data is shifted out, so the whole memory can be read out at a single FAST_READ instruction. The address counter rolls over to 0 when the highest address has been reached.

The sequence of issuing FAST_READ instruction is: CS# goes low→ sending FAST_READ instruction code→ 3-byte address on SI→1-dummy byte (default) address on SI→ data out on SO→ to end FAST_READ operation can use CS# to high at any time during data out.

In the performance-enhancing mode, P[7:4] must be toggling with P[3:0] ; likewise P[7:0]=A5h,5Ah,F0h or 0Fh can make this mode continue and reduce the next 4READ instruction. Once P[7:4] is no longer toggling with P[3:0]; likewise P[7:0]=FFh,00h,AAh or 55h and afterwards CS# is raised and then lowered, the system then will escape from performance enhance mode and return to normal operation.

While Program/Erase/Write Status Register cycle is in progress, FAST_READ instruction is rejected without any impact on the Program/Erase/Write Status Register current cycle.

Figure 10. Read at Higher Speed (FAST_READ) Sequence (Command 0B) (104MHz)



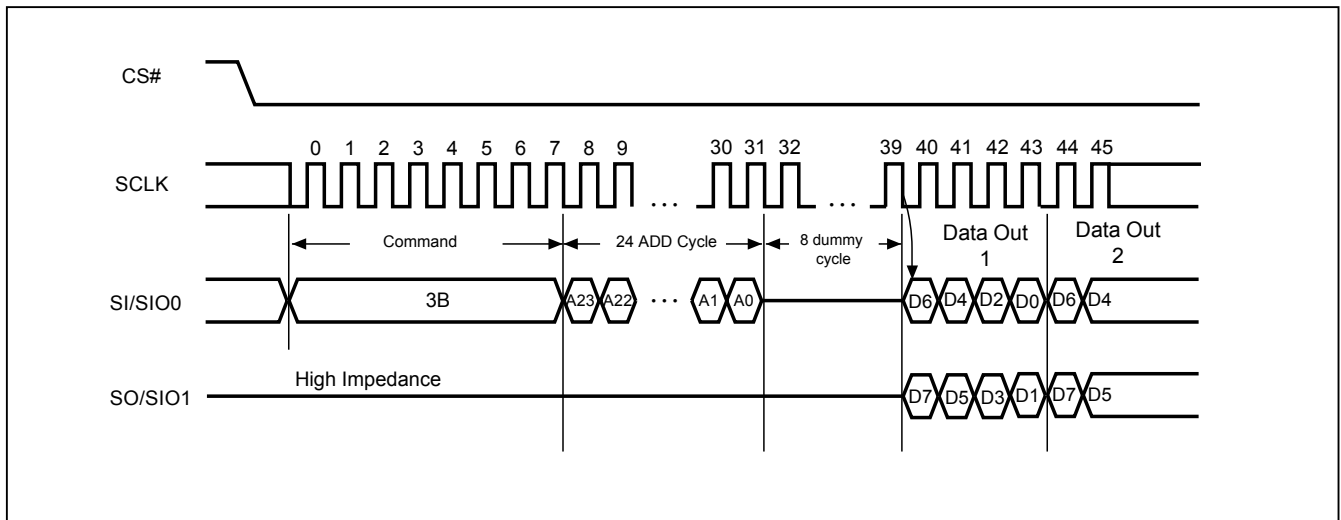
10-8. Dual Read Mode (DREAD)

The DREAD instruction enable double throughput of Serial Flash in read mode. The address is latched on rising edge of SCLK, and data of every two bits (interleave on 2 I/O pins) shift out on the falling edge of SCLK at a maximum frequency fT. The first address byte can be at any location. The address is automatically increased to the next higher address after each byte data is shifted out, so the whole memory can be read out at a single DREAD instruction. The address counter rolls over to 0 when the highest address has been reached. Once writing DREAD instruction, the following data out will perform as 2-bit instead of previous 1-bit.

The sequence of issuing DREAD instruction is: CS# goes low → sending DREAD instruction → 3-byte address on SI → 8-bit dummy cycle → data out interleave on SO1 & SO0 → to end DREAD operation can use CS# to high at any time during data out.

While Program/Erase/Write Status Register cycle is in progress, DREAD instruction is rejected without any impact on the Program/Erase/Write Status Register current cycle.

Figure 11. Dual Read Mode Sequence (Command 3B)



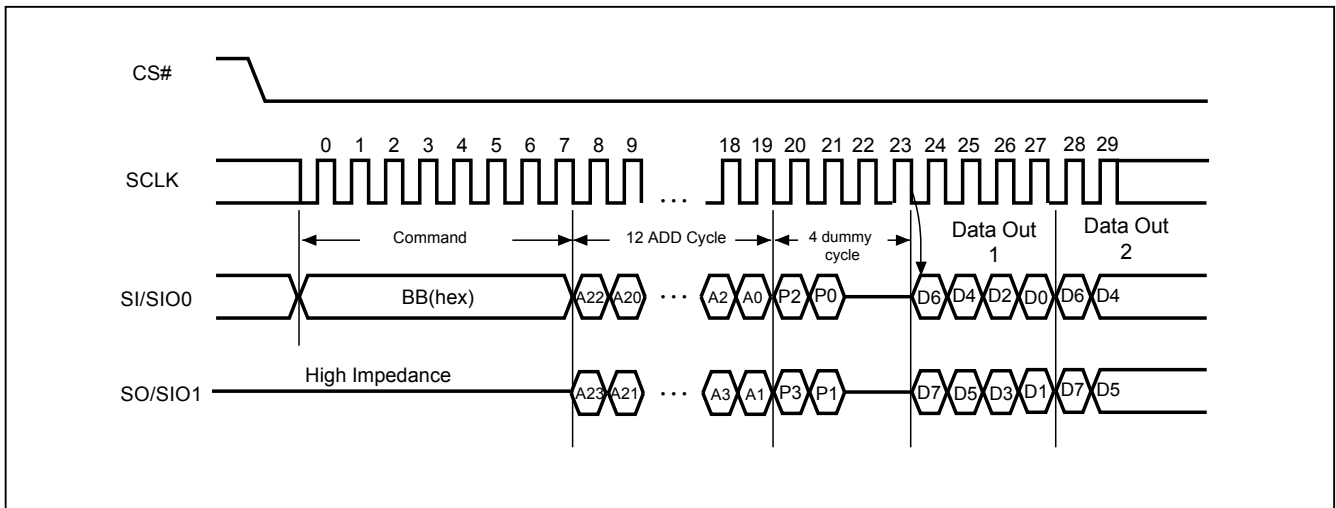
10-9. 2 x I/O Read Mode (2READ)

The 2READ instruction enables Double Transfer Rate of Serial Flash in read mode. The address is latched on rising edge of SCLK, and data of every two bits (interleave on 2 I/O pins) shift out on the falling edge of SCLK at a maximum frequency fT. The first address byte can be at any location. The address is automatically increased to the next higher address after each byte data is shifted out, so the whole memory can be read out at a single 2READ instruction. The address counter rolls over to 0 when the highest address has been reached. Once writing 2READ instruction, the following address/dummy/data out will perform as 2-bit instead of previous 1-bit.

The sequence of issuing 2READ instruction is: CS# goes low→ sending 2READ instruction→ 24-bit address interleave on SIO1 & SIO0→ 4-bit dummy cycle on SIO1 & SIO0→ data out interleave on SIO1 & SIO0→ to end 2READ operation can use CS# to high at any time during data out.

While Program/Erase/Write Status Register cycle is in progress, 2READ instruction is rejected without any impact on the Program/Erase/Write Status Register current cycle.

Figure 12. 2 x I/O Read Mode Sequence (Command BB)



Note: SI/SIO0 or SO/SIO1 should be kept "0h" or "Fh" in the first two dummy cycles. In other words, P2=P0 or P3=P1 is necessary.

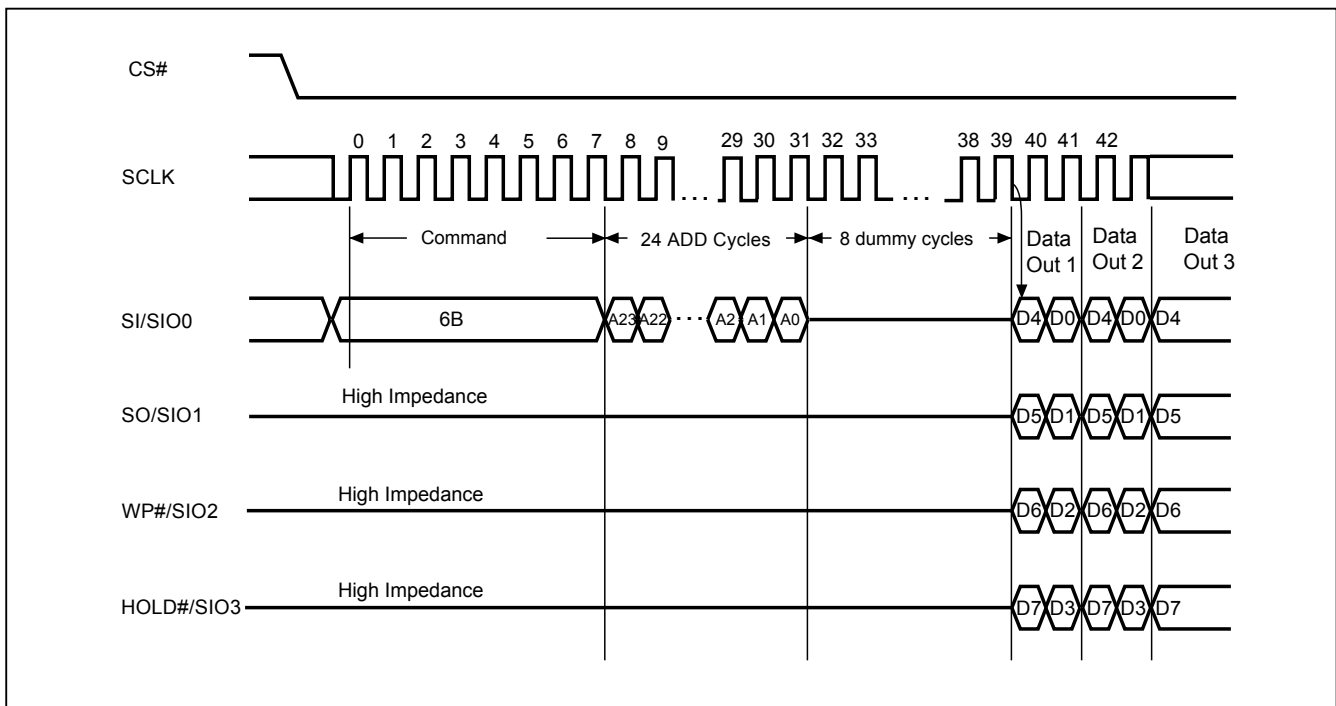
10-10. Quad Read Mode (QREAD)

The QREAD instruction enable quad throughput of Serial Flash in read mode. The address is latched on rising edge of SCLK, and data of every four bits (interleave on 4 I/O pins) shift out on the falling edge of SCLK at a maximum frequency fQ. The first address byte can be at any location. The address is automatically increased to the next higher address after each byte data is shifted out, so the whole memory can be read out at a single QREAD instruction. The address counter rolls over to 0 when the highest address has been reached. Once writing QREAD instruction, the following data out will perform as 4-bit instead of previous 1-bit.

The sequence of issuing QREAD instruction is: CS# goes low → sending QREAD instruction → 3-byte address on SI → 8-bit dummy cycle → data out interleave on SIO3, SIO2, SIO1 & SIO0 → to end QREAD operation can use CS# to high at any time during data out.

While Program/Erase/Write Status Register cycle is in progress, QREAD instruction is rejected without any impact on the Program/Erase/Write Status Register current cycle.

Figure 13. Quad Read Mode Sequence (Command 6B)



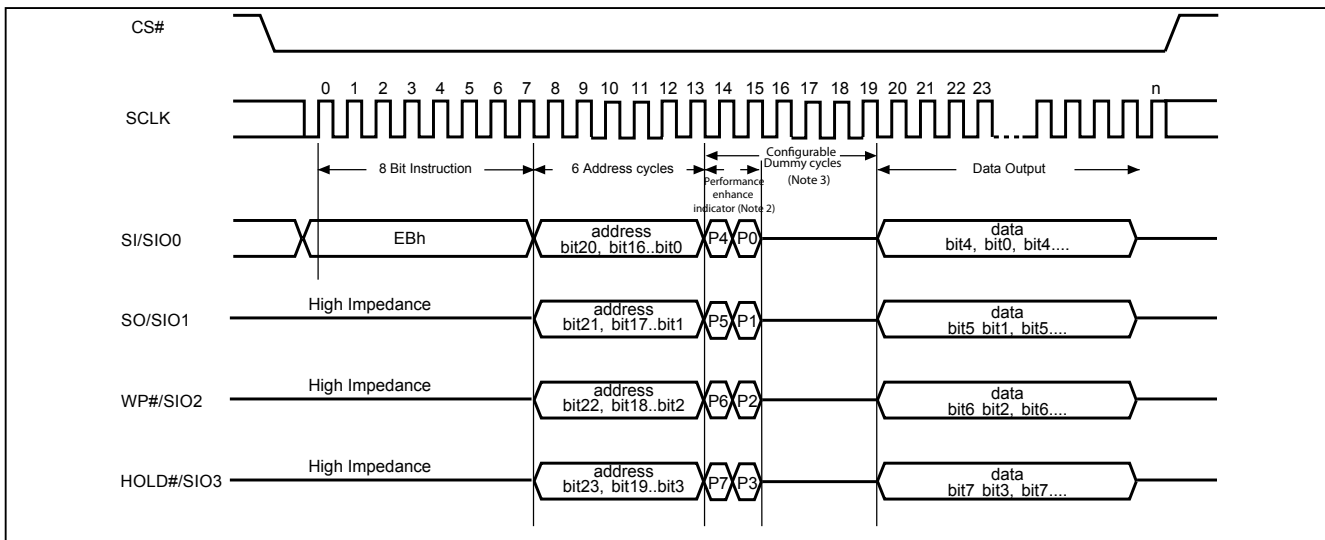
10-11. 4 x I/O Read Mode (4READ)

The 4READ instruction enables quad throughput of Serial Flash in read mode. A Quad Enable (QE) bit of status Register must be set to "1" before sending the 4READ instruction. The address is latched on rising edge of SCLK, and data of every four bits (interleave on 4 I/O pins) shift out on the falling edge of SCLK at a maximum frequency fQ. The first address byte can be at any location. The address is automatically increased to the next higher address after each byte data is shifted out, so the whole memory can be read out at a single 4READ instruction. The address counter rolls over to 0 when the highest address has been reached. Once writing 4READ instruction, the following address/dummy/data out will perform as 4-bit instead of previous 1-bit.

The sequence of issuing 4READ instruction is: CS# goes low→ sending 4READ instruction→ 24-bit address interleave on SIO3, SIO2, SIO1 & SIO0→2+4 dummy cycles (default)→data out interleave on SIO3, SIO2, SIO1 & SIO0→ to end 4READ operation can use CS# to high at any time during data out.

W4READ instruction (E7) is also available for 4 I/O read. The sequence is similar to 4READ, but with only 4 dummy cycles. The clock rate runs at 54MHz.

Figure 14. 4 x I/O Read Mode Sequence (Command EB)



Note:

1. Hi-impedance is inhibited for the two clock cycles.
2. P7#P3, P6#P2, P5#P1 & P4#P0 (Toggling) is inhibited.
3. The Configurable Dummy Cycle is set by Configuration Register Bit. Please see ["Dummy Cycle and Frequency Table"](#)

Another sequence of issuing 4READ instruction especially useful in random access is : CS# goes low→ sending 4READ instruction→ 3-bytes address interleave on SIO3, SIO2, SIO1 & SIO0 →performance enhance toggling bit P[7:0]→ 4 dummy cycles (default)→ data out still CS# goes high → CS# goes low (reduce 4 Read instruction) → 24-bit random access address (Please refer to "[Figure 15. 4 x I/O Read enhance performance Mode Sequence \(Command EB\)](#)").

In the performance-enhancing mode (Notes of "[Figure 15. 4 x I/O Read enhance performance Mode Sequence \(Command EB\)](#)"), P[7:4] must be toggling with P[3:0]; likewise P[7:0]=A5h, 5Ah, F0h or 0Fh can make this mode continue and reduce the next 4READ instruction. Once P[7:4] is no longer toggling with P[3:0]; likewise P[7:0]=FFh, 00h, AAh or 55h. These commands will reset the performance enhance mode. And afterwards CS# is raised and then lowered, the system then will return to normal operation.

While Program/Erase/Write Status Register cycle is in progress, 4READ instruction is rejected without any impact on the Program/Erase/Write Status Register current cycle.

10-12. Performance Enhance Mode

The device could waive the command cycle bits if the two cycle bits after address cycle toggles. (Please note "[Figure 15. 4 x I/O Read enhance performance Mode Sequence \(Command EB\)](#)")

Please be noticed that "EBh" and "E7h" commands support enhance mode. The performance enhance mode is not supported in dual I/O mode.

After entering enhance mode, following CSB go high, the device will stay in the read mode and treat CSB go low of the first clock as address instead of command cycle.

To exit enhance mode, a new fast read command whose first two dummy cycles is not toggle then exit. Or issue "FFh" command to exit enhance mode.

10-13. Performance Enhance Mode Reset (FFh)

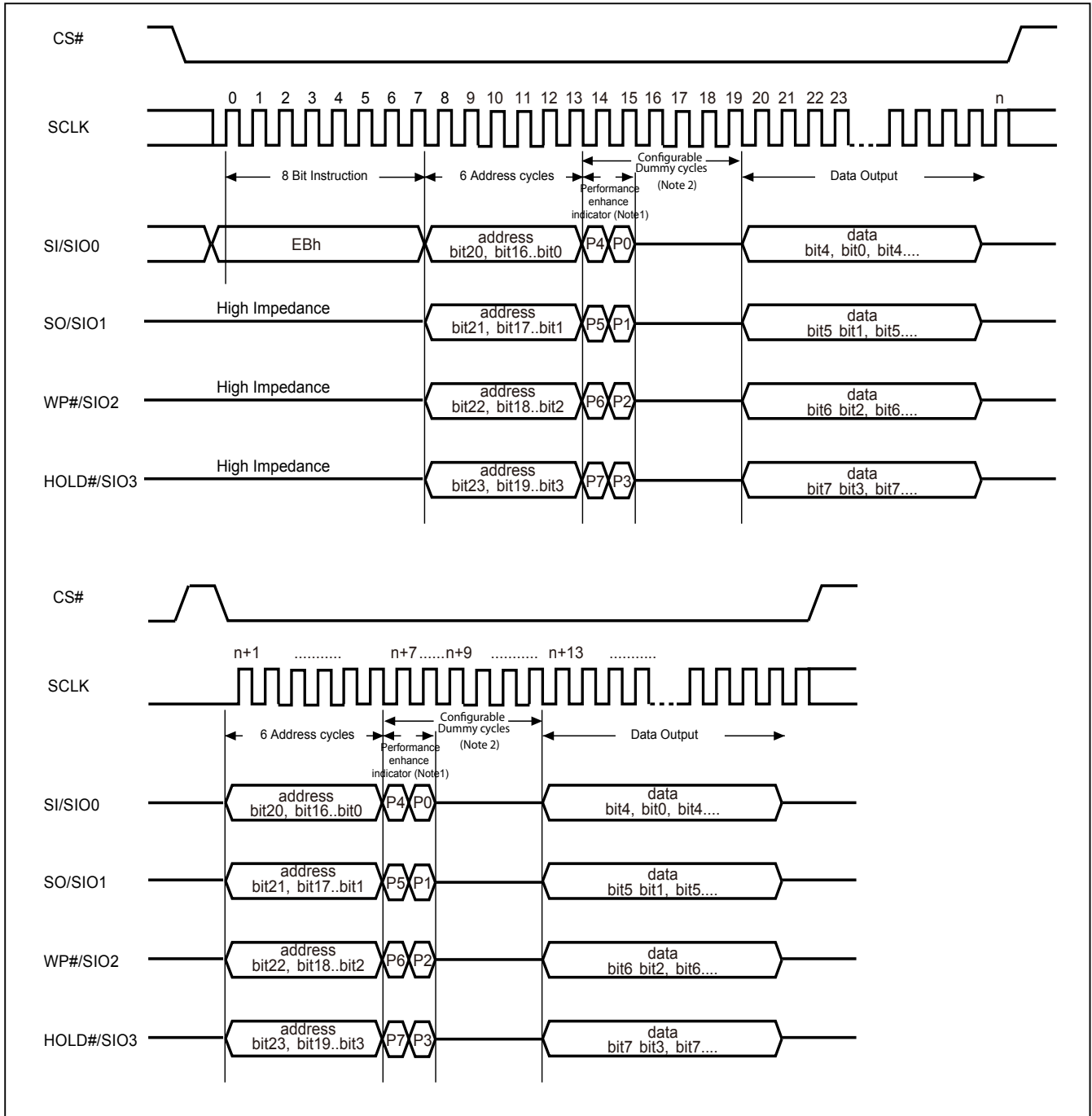
To conduct the Performance Enhance Mode Reset operation, FFh command code, 8 clocks, should be issued in 1I/O sequence.

If the system controller is being Reset during operation, the flash device will return to the standard operation.

Upon Reset of main chip, Instruction would be issued from the system. Instructions like Read ID (9Fh) or Fast Read (0Bh) would be issued.

The SIO[3:1] are don't care when during this mode.

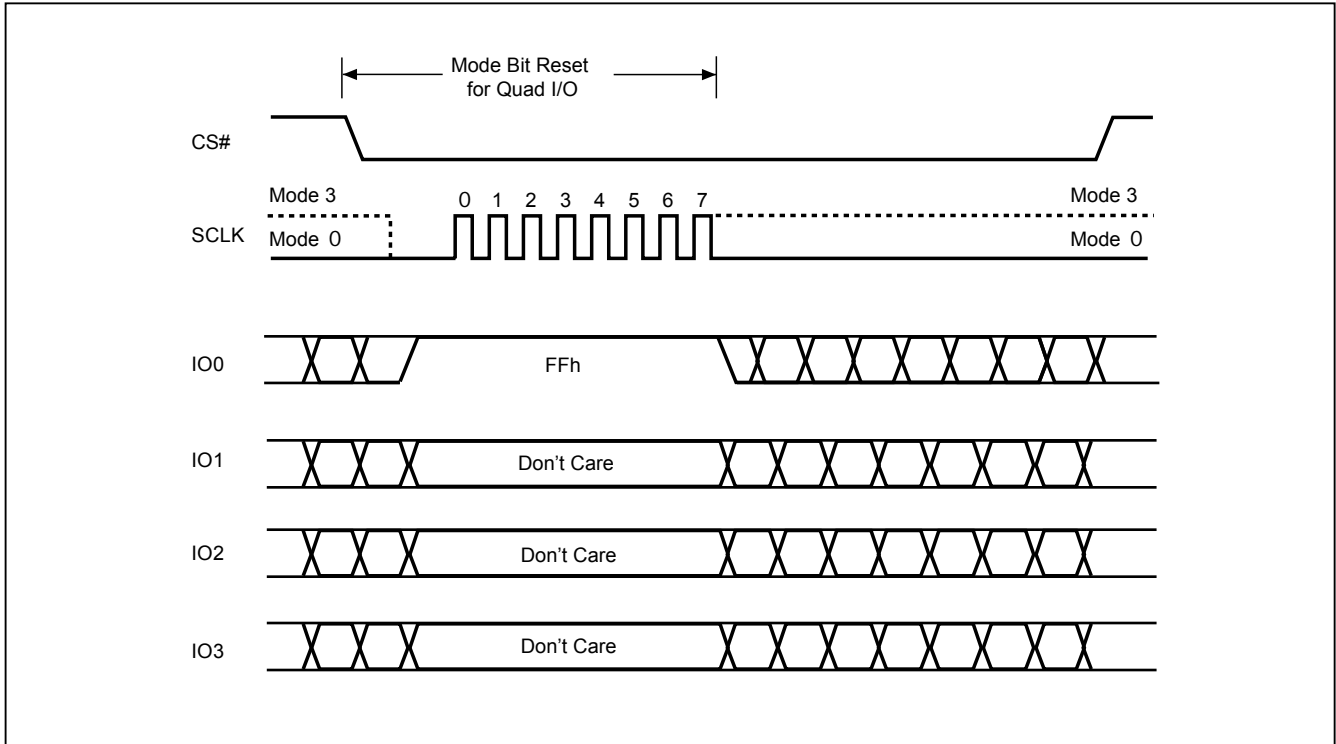
Figure 15. 4 x I/O Read enhance performance Mode Sequence (Command EB)



Note:

1. Performance enhance mode, if $P7 \neq P3$ & $P6 \neq P2$ & $P5 \neq P1$ & $P4 \neq P0$ (Toggling), ex: A5, 5A, 0F, if not using performance enhance recommend to keep 1 or 0 in performance enhance indicator.
Reset the performance enhance mode, if $P7 = P3$ or $P6 = P2$ or $P5 = P1$ or $P4 = P0$, ex: AA, 00, FF
2. The Configurable Dummy Cycle is set by Configuration Register Bit. Please see "[Dummy Cycle and Frequency Table](#)"

Figure 16. Performance Enhance Mode Reset for Fast Read Quad I/O



10-14. Sector Erase (SE)

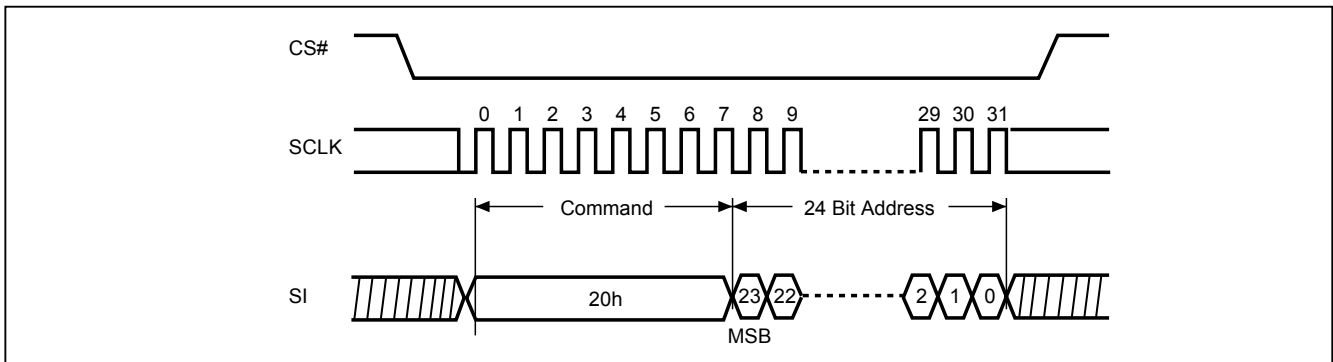
The Sector Erase (SE) instruction is for erasing the data of the chosen sector to be "1". The instruction is used for any 4K-byte sector. A Write Enable (WREN) instruction must execute to set the Write Enable Latch (WEL) bit before sending the Sector Erase (SE). Any address of the sector (see "Table 4. Memory Organization") is a valid address for Sector Erase (SE) instruction. The CS# must go high exactly at the byte boundary (the latest eighth of address byte has been latched-in); otherwise, the instruction will be rejected and not executed.

The sequence of issuing SE instruction is: CS# goes low → sending SE instruction code → 3-byte address on SI → CS# goes high.

The SIO[3:1] are don't care when during this mode.

The self-timed Sector Erase Cycle time (tSE) is initiated as soon as Chip Select (CS#) goes high. The Write in Progress (WIP) bit still can be checked out during the Sector Erase cycle is in progress. The WIP sets 1 during the tSE timing, and sets 0 when Sector Erase Cycle is completed, and the Write Enable Latch (WEL) bit is reset. If the sector is protected by BP3~0 (WPSEL=0) or by individual lock (WPSEL=1), the array data will be protected (no change) and the WEL bit still be reset.

Figure 17. Sector Erase (SE) Sequence (Command 20)



10-15. Block Erase (BE)

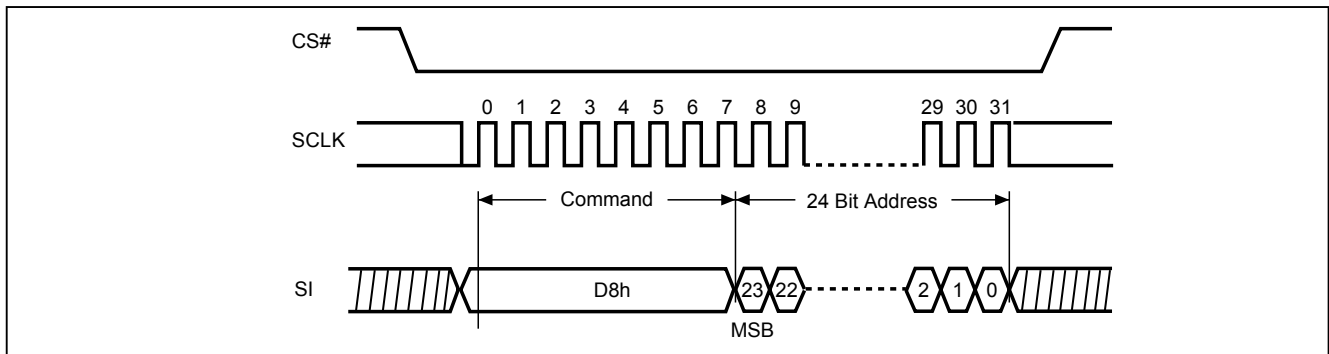
The Block Erase (BE) instruction is for erasing the data of the chosen block to be "1". The instruction is used for 64K-byte block erase operation. A Write Enable (WREN) instruction must execute to set the Write Enable Latch (WEL) bit before sending the Block Erase (BE). Any address of the block (see [Table 4. Memory Organization](#)) is a valid address for Block Erase (BE) instruction. The CS# must go high exactly at the byte boundary (the latest eighth of address byte has been latched-in); otherwise, the instruction will be rejected and not executed.

The sequence of issuing BE instruction is: CS# goes low → sending BE instruction code → 3-byte address on SI → CS# goes high.

The SIO[3:1] are don't care when during this mode.

The self-timed Block Erase Cycle time (tBE) is initiated as soon as Chip Select (CS#) goes high. The Write in Progress (WIP) bit still can be checked out during the Sector Erase cycle is in progress. The WIP sets 1 during the tBE timing, and sets 0 when Sector Erase Cycle is completed, and the Write Enable Latch (WEL) bit is reset. If the block is protected by BP3~0 (WPSEL=0) or by individual lock (WPSEL=1), the array data will be protected (no change) and the WEL bit still be reset.

Figure 18. Block Erase (BE) Sequence (Command D8)



10-16. Block Erase (BE32K)

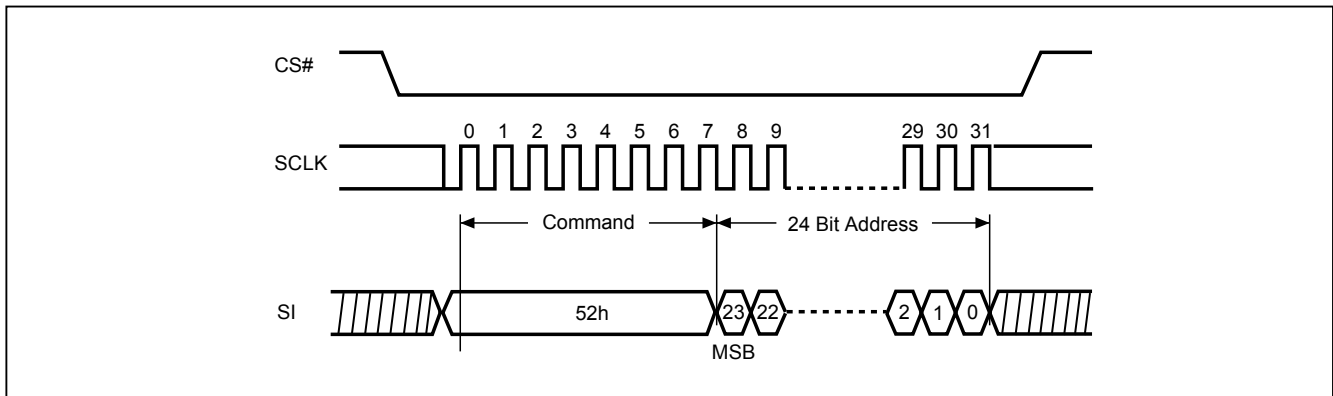
The Block Erase (BE32) instruction is for erasing the data of the chosen block to be "1". The instruction is used for 32K-byte block erase operation. A Write Enable (WREN) instruction must execute to set the Write Enable Latch (WEL) bit before sending the Block Erase (BE32). Any address of the block (see "Table 4. Memory Organization") is a valid address for Block Erase (BE32) instruction. The CS# must go high exactly at the byte boundary (the latest eighth of address byte has been latched-in); otherwise, the instruction will be rejected and not executed.

The sequence of issuing BE32 instruction is: CS# goes low → sending BE32 instruction code → 3-byte address on SI → CS# goes high.

The SIO[3:1] are don't care when during this mode.

The self-timed Block Erase Cycle time (tBE) is initiated as soon as Chip Select (CS#) goes high. The Write in Progress (WIP) bit still can be checked out during the Sector Erase cycle is in progress. The WIP sets 1 during the tBE timing, and sets 0 when Sector Erase Cycle is completed, and the Write Enable Latch (WEL) bit is reset. If the block is protected by BP3~0 (WPSEL=0) or by individual lock (WPSEL=1), the array data will be protected (no change) and the WEL bit still be reset.

Figure 19. Block Erase 32KB (BE32K) Sequence (Command 52)



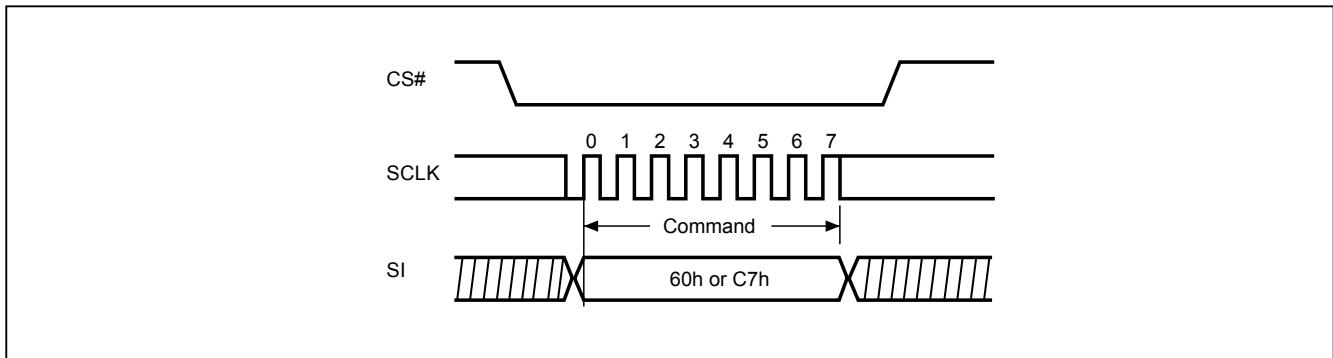
10-17. Chip Erase (CE)

The Chip Erase (CE) instruction is for erasing the data of the whole chip to be "1". A Write Enable (WREN) instruction must execute to set the Write Enable Latch (WEL) bit before sending the Chip Erase (CE). The CS# must go high exactly at the byte boundary; otherwise, the instruction will be rejected and not executed.

The sequence of issuing CE instruction is: CS# goes low → sending CE instruction code → CS# goes high.

The SIO[3:1] are don't care when during this mode.

The self-timed Chip Erase Cycle time (t_{CE}) is initiated as soon as Chip Select (CS#) goes high. The Write in Progress (WIP) bit still can be checked out during the Chip Erase cycle is in progress. The WIP sets 1 during the t_{CE} timing, and sets 0 when Chip Erase Cycle is completed, and the Write Enable Latch (WEL) bit is reset. If the chip is protected the Chip Erase (CE) instruction will not be executed, but WEL will be reset.

Figure 20. Chip Erase (CE) Sequence (Command 60 or C7)

10-18. Page Program (PP)

The Page Program (PP) instruction is for programming the memory to be "0". A Write Enable (WREN) instruction must execute to set the Write Enable Latch (WEL) bit before sending the Page Program (PP). The device programs only the last 256 data bytes sent to the device. The last address byte (the 8 least significant address bits, A7-A0) should be set to 0 for 256 bytes page program. If A7-A0 are not all zero, transmitted data that exceed page length are programmed from the starting address (24-bit address that last 8 bit are all 0) of currently selected page. If the data bytes sent to the device exceeds 256, the last 256 data byte is programmed at the request page and previous data will be disregarded. If the data bytes sent to the device has not exceeded 256, the data will be programmed at the request address of the page. There will be no effort on the other data bytes of the same page.

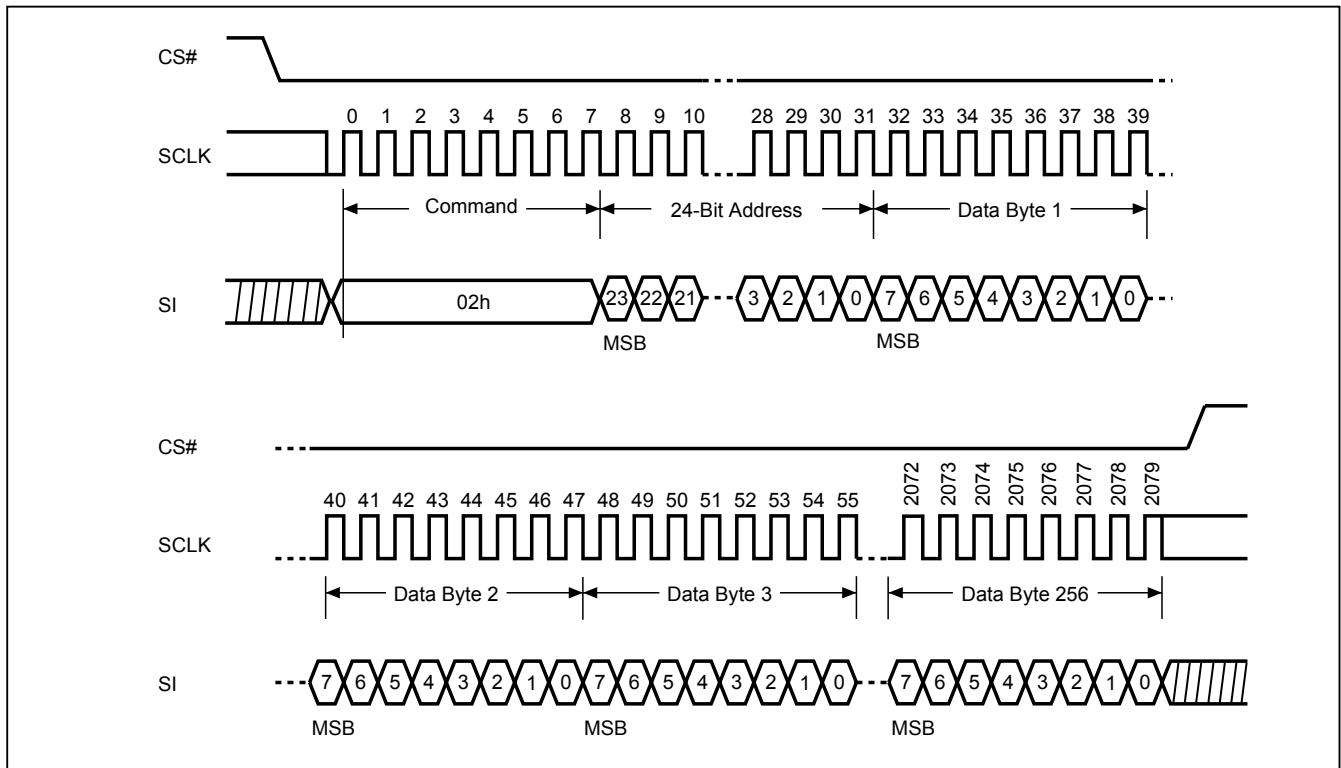
The sequence of issuing PP instruction is: CS# goes low → sending PP instruction code → 3-byte address on SI → at least 1-byte on data on SI → CS# goes high.

The CS# must be kept to low during the whole Page Program cycle; The CS# must go high exactly at the byte boundary (the latest eighth bit of data being latched in), otherwise, the instruction will be rejected and will not be executed.

The self-timed Page Program Cycle time (t_{PP}) is initiated as soon as Chip Select (CS#) goes high. The Write in Progress (WIP) bit still can be checked out during the Page Program cycle is in progress. The WIP sets 1 during the t_{PP} timing, and sets 0 when Page Program Cycle is completed, and the Write Enable Latch (WEL) bit is reset. If the page is protected by BP3~0 (WPSEL=0) or by individual lock (WPSEL=1), the array data will be protected (no change) and the WEL bit will still be reset.

The SIO[3:1] are don't care when during this mode.

Figure 21. Page Program (PP) Sequence (Command 02)



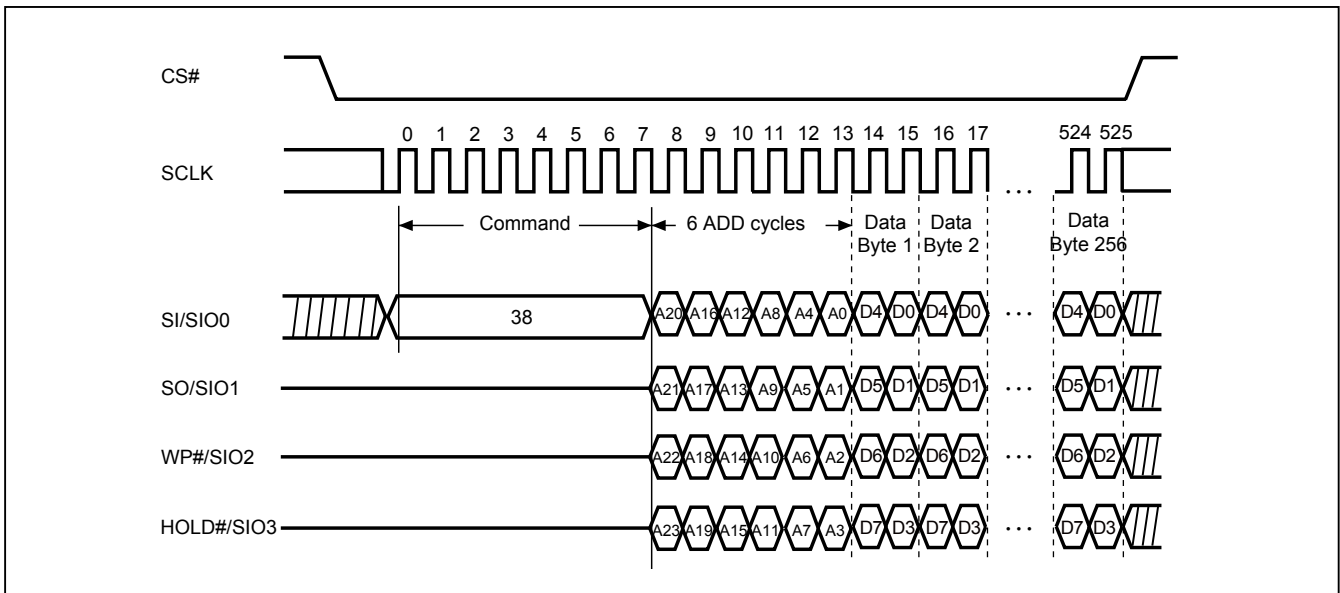
10-19. 4 x I/O Page Program (4PP)

The Quad Page Program (4PP) instruction is for programming the memory to be "0". A Write Enable (WREN) instruction must execute to set the Write Enable Latch (WEL) bit and Quad Enable (QE) bit must be set to "1" before sending the Quad Page Program (4PP). The Quad Page Programming takes four pins: SIO0, SIO1, SIO2, and SIO3, which can raise programmer performance and the effectiveness of application of lower clock less than 104MHz. For system with faster clock, the Quad page program cannot provide more actual favors, because the required internal page program time is far more than the time data flows in. Therefore, we suggest that while executing this command (especially during sending data), user can slow the clock speed down to 104MHz below. The other function descriptions are as same as standard page program.

The sequence of issuing 4PP instruction is: CS# goes low→ sending 4PP instruction code→ 3-byte address on SIO[3:0]→ at least 1-byte on data on SIO[3:0]→ CS# goes high.

If the page is protected by BP3~0 (WPSEL=0) or by individual lock (WPSEL=1), the array data will be protected (no change) and the WEL bit will still be reset.

Figure 22. 4 x I/O Page Program (4PP) Sequence (Command 38)



The Program/Erase function instruction function flow is as follows:

Figure 23. Program/Erase Flow(1) with read array data

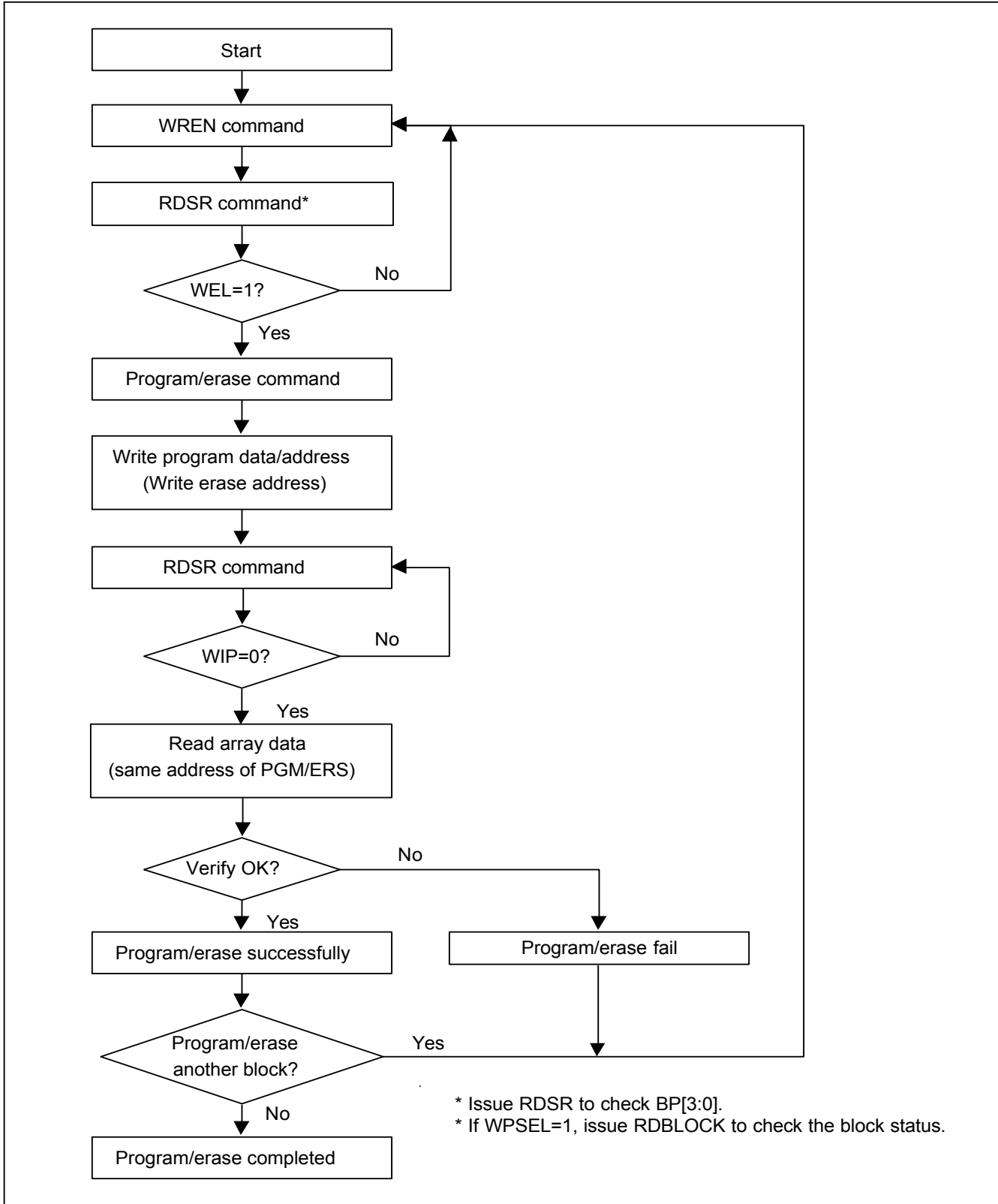
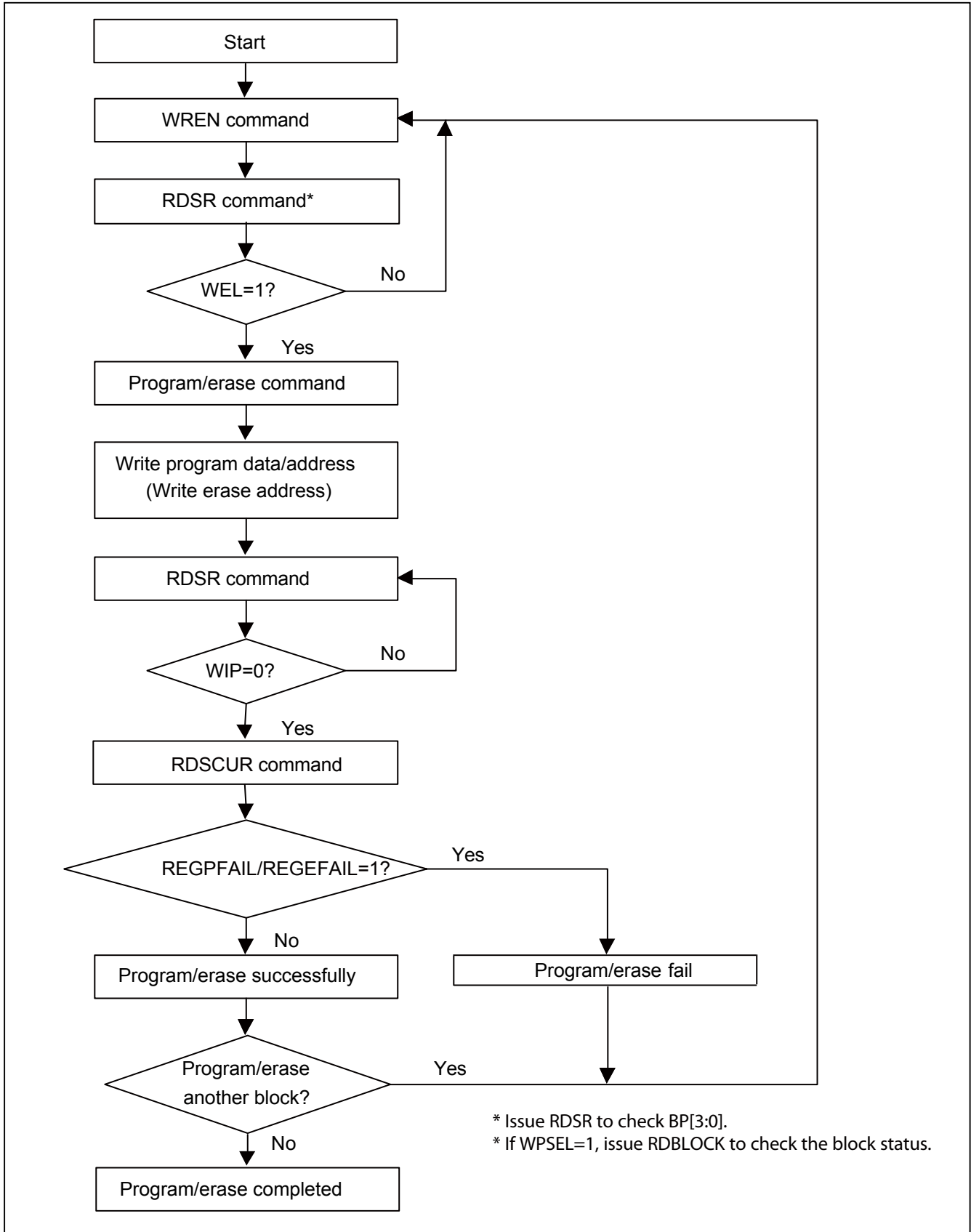


Figure 24. Program/Erase Flow(2) without read array data



10-20. Continuous Program mode (CP mode)

The CP mode may enhance program performance by automatically increasing address to the next higher address after each byte data has been programmed.

The Continuous Program (CP) instruction is for multiple bytes program to Flash. A write Enable (WREN) instruction must execute to set the Write Enable Latch (WEL) bit before sending the Continuous Program (CP) instruction. CS# requires to go high before CP instruction is executing. After CP instruction and address input, two bytes of data is input sequentially from MSB(bit7) to LSB(bit0). The first byte data will be programmed to the initial address range with A0=0 and second byte data with A0=1. If only one byte data is input, the CP mode will not process. If more than two bytes data are input, the additional data will be ignored and only two byte data are valid. Any byte to be programmed should be in the erase state (FF) first. It will not roll over during the CP mode, once the last unprotected address has been reached, the chip will exit CP mode and reset write Enable Latch bit (WEL) as "0" and CP mode bit as "0". Please check the WIP bit status if it is not in write progress before entering next valid instruction. During CP mode, the valid commands are CP command (AD hex), WRDI command (04 hex), RDSR command (05 hex), and RDSCUR command (2B hex). And the WRDI command is valid after completion of a CP programming cycle, which means the WIP bit=0.

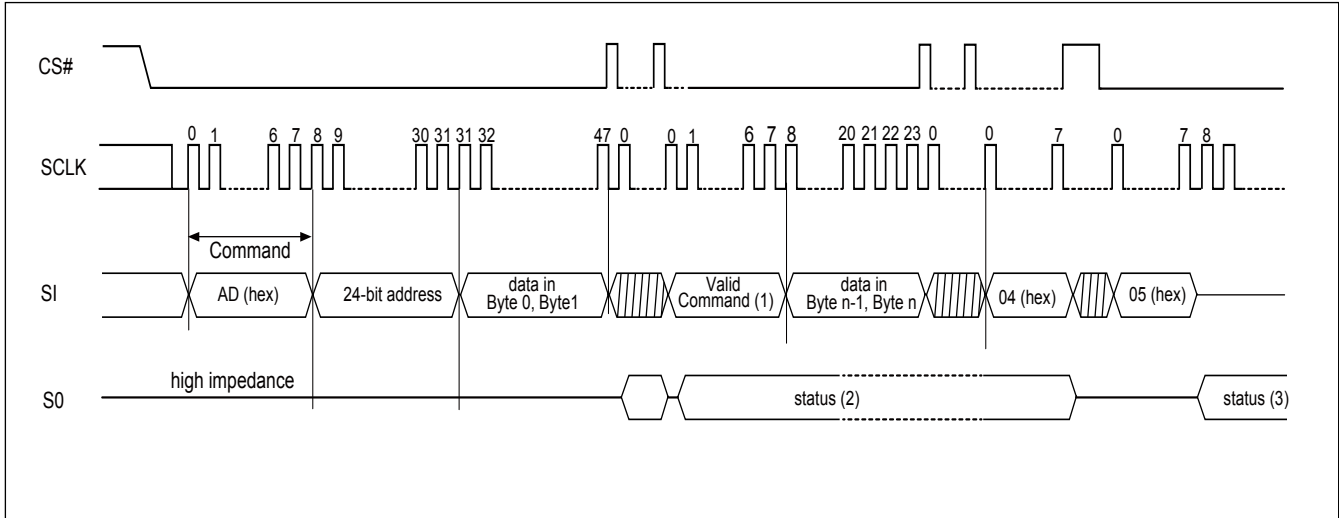
The sequence of issuing CP instruction is : CS# goes low → sending CP instruction code → 3-byte address on SI pin → two data bytes on SI → CS# goes high to low → sending CP instruction and then continue two data bytes are programmed → CS# goes high to low → till last desired two data bytes are programmed → CS# goes high to low → sending WRDI (Write Disable) instruction to end CP mode → send RDSR instruction to verify if CP mode word program ends, or send RDSCUR to check bit4 to verify if CP mode ends.

Three methods to detect the completion of a program cycle during CP mode:

- 1) Software method-I: by checking WIP bit of Status Register to detect the completion of CP mode.
- 2) Software method-II: by waiting for a tBP time out to determine if it may load next valid command or not.
- 3) Hardware method: by writing ESRY (enable SO to output RY/BY#) instruction to detect the completion of a program cycle during CP mode. The ESRY instruction must be executed before CP mode execution. Once it is enable in CP mode, the CS# goes low will drive out the RY/BY# status on SO, "0" indicates busy stage, "1" indicates ready stage, SO pin outputs tri-state if CS# goes high. Please note user must send at least one clock cycle on SCLK while CS# is at low to read the status of RY/BY# on SO pin. DSRY (disable SO to output RY/BY#) instruction to disable the SO to output RY/BY# and return to status register data output during CP mode. Please note that the ESRY/DSRY commands are not accepted unless the completion of CP mode.

If the page is protected by BP3~0 (WPSEL=0) or by individual lock (WPSEL=1), the array data will be protected (no change) and the WEL bit will still be reset.

Figure 25. Continuously Program (CP) Mode Sequence with Hardware Detection (Command AD)



Notes:

- (1) During CP mode, the valid commands are CP command (AD hex), WRDI command (04 hex), RDSR command (05 hex), RDSCUR command (2B hex), RSTEN command (66 hex) and RST command (99hex). But, RDSR and RDSCUR are invalid commands during CP mode with hardware detection .
- (2) Once an internal programming operation begins, CS# goes low will drive the status on the SO pin and CS# goes high will return the SO pin to tri-state. User must send at least one clock cycle on SCLK while CS# is at low to read the status of RY/BY# on SO pin.
- (3) To end the CP mode, either reaching the highest unprotected address or sending Write Disable (WRDI) command (04 hex) may achieve it and then it is recommended to send RDSR command (05 hex) to verify if CP mode is ended. Please be noticed that Software reset and Hardware reset can end the CP mode.

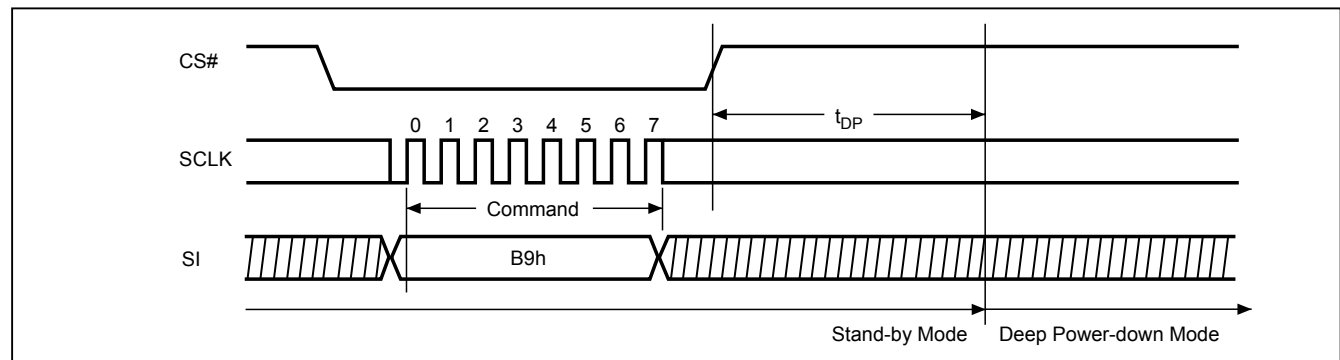
10-21. Deep Power-down (DP)

The Deep Power-down (DP) instruction is for setting the device on the minimizing the power consumption (to entering the Deep Power-down mode), the standby current is reduced from ISB1 to ISB2). The Deep Power-down mode requires the Deep Power-down (DP) instruction to enter, during the Deep Power-down mode, the device is not active and all Write/Program/Erase instructions are ignored. When CS# goes high, it's only in standby mode not deep power-down mode. It's different from Standby mode.

The sequence of issuing DP instruction is: CS# goes low→ sending DP instruction code→ CS# goes high.

The SIO[3:1] are don't care when during this mode.

Once the DP instruction is set, all instructions will be ignored except the Release from Deep Power-down mode (RDP) and Read Electronic Signature (RES) instruction. (those instructions allow the ID being reading out). When Power-down, the deep power-down mode automatically stops, and when power-up, the device automatically is in standby mode. For RDP instruction the CS# must go high exactly at the byte boundary (the latest eighth bit of instruction code has been latched-in); otherwise, the instruction will not be executed. As soon as Chip Select (CS#) goes high, a delay of t_{DP} is required before entering the Deep Power-down mode and reducing the current to ISB2.

Figure 26. Deep Power-down (DP) Sequence (Command B9)

10-22. Release from Deep Power-down (RDP), Read Electronic Signature (RES)

The Release from Deep Power-down (RDP) instruction is terminated by driving Chip Select (CS#) High. When Chip Select (CS#) is driven High, the device is put in the standby Power mode. If the device was not previously in the Deep Power-down mode, the transition to the standby Power mode is immediate. If the device was previously in the Deep Power-down mode, though, the transition to the standby Power mode is delayed by t_{RES2} , and Chip Select (CS#) must remain High for at least $t_{RES2(max)}$, as specified in "Table 13. AC Characteristics". Once in the standby mode, the device waits to be selected, so that it can receive, decode and execute instructions.

RES instruction is for reading out the old style of 8-bit Electronic Signature, whose values are shown as "Table 7. ID Definitions". This is not the same as RDID instruction. It is not recommended to use for new design. For new design, please use RDID instruction. Even in Deep power-down mode, the RDP and RES are also allowed to be executed, only except the device is in progress of program/erase/write cycles; there's no effect on the current program/erase/write cycles in progress.

The SIO[3:1] are don't care when during this mode.

The RES instruction is ended by CS# goes high after the ID been read out at least once. The ID outputs repeatedly if continuously send the additional clock cycles on SCLK while CS# is at low. If the device was not previously in Deep Power-down mode, the device transition to standby mode is immediate. If the device was previously in Deep Power-down mode, there's a delay of t_{RES2} to transit to standby mode, and CS# must remain to high at least $t_{RES2(max)}$. Once in the standby mode, the device waits to be selected, so it can receive, decode, and execute instruction.

The RDP instruction is for releasing from Deep Power-down Mode.

Figure 27. Release from Deep Power-down and Read Electronic Signature (RES) Sequence (Command AB)

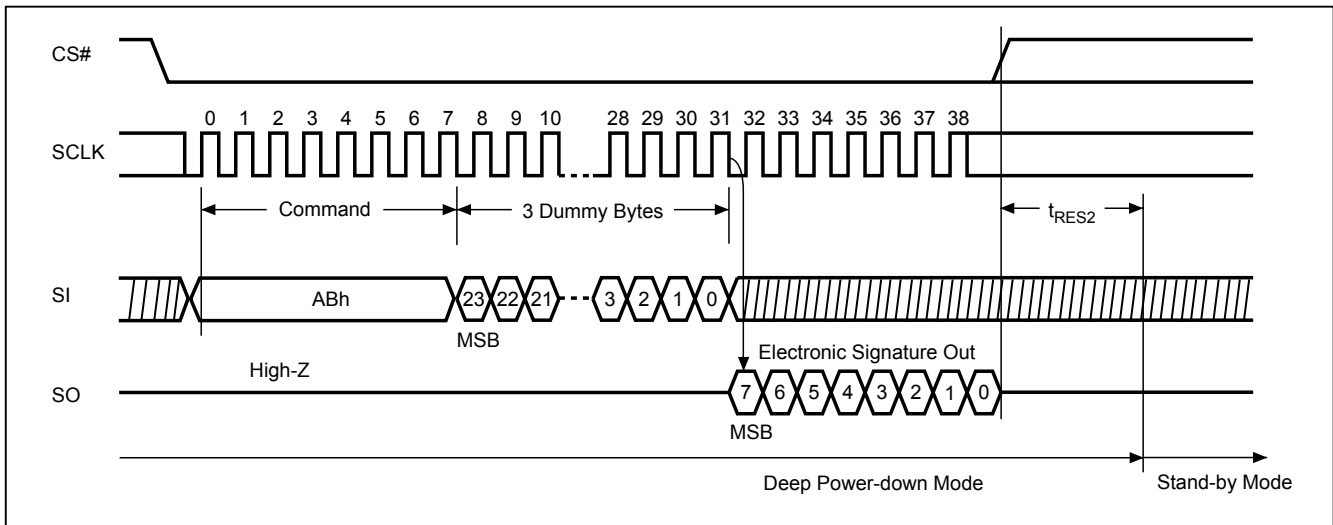
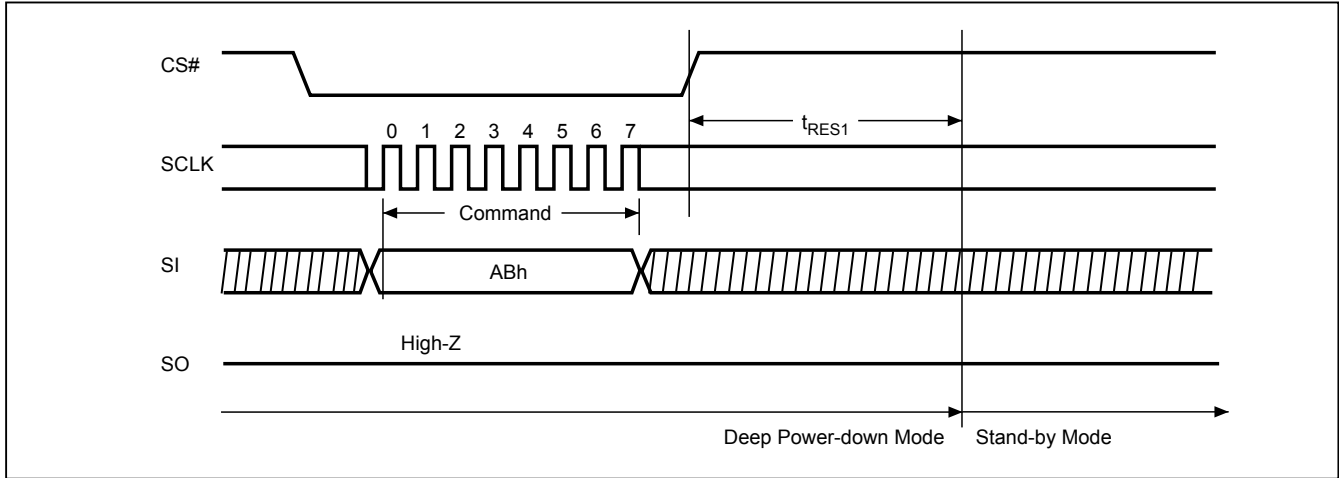


Figure 28. Release from Deep Power-down (RDP) Sequence (Command AB)

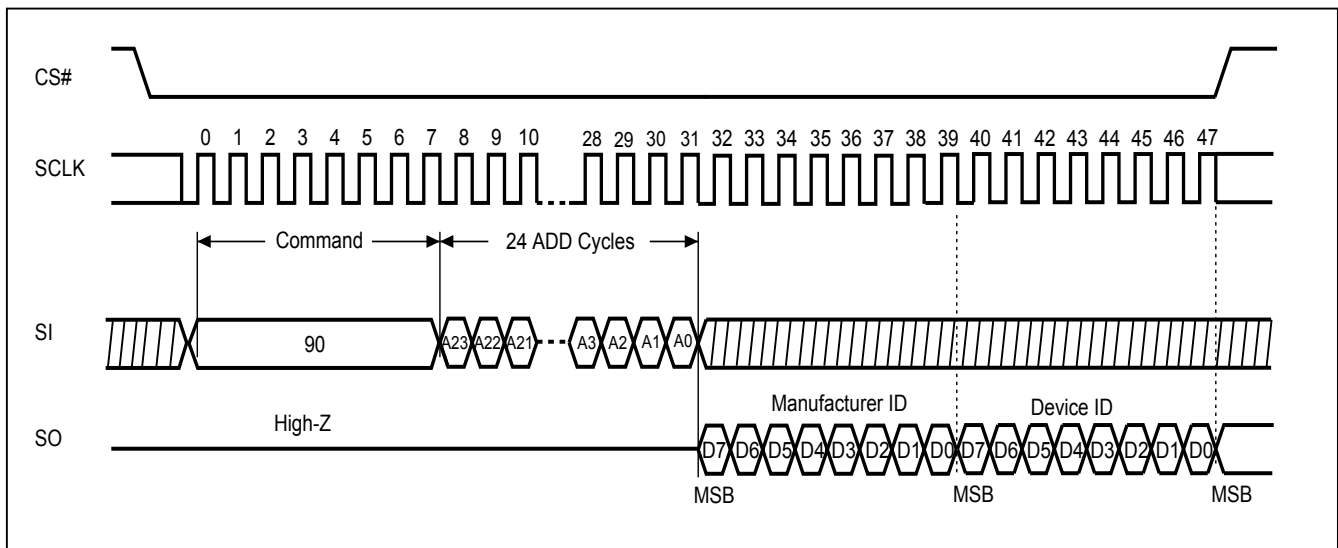


10-23. Read Electronic Manufacturer ID & Device ID (REMS), (REMS2), (REMS4)

The REMS, REMS2, and REMS4 instruction provides both the JEDEC assigned Manufacturer ID and the specific Device ID.

The instruction is initiated by driving the CS# pin low and shift the instruction code "90h", "DFh" or "EFh" followed by two dummy bytes and one byte address (A7~A0). After which, the Manufacturer ID for Macronix (C2h) and the Device ID are shifted out on the falling edge of SCLK with most significant bit (MSB) first as shown in the figure below. The Device ID values are listed in "Table 7. ID Definitions". If the one-byte address is initially set to 01h, then the Device ID will be read first and then followed by the Manufacturer ID. The Manufacturer and Device IDs can be read continuously, alternating from one to the other. The instruction is completed by driving CS# high.

Figure 29. Read Electronic Manufacturer & Device ID (REMS) Sequence (Command 90 or EF or DF)



Notes:

1. A0=0 will output the Manufacturer ID first and A0=1 will output Device ID first. A1~A23 are don't care.
2. Instruction is either 90(hex) or EF(hex) or DF(hex).

10-24. ID Read

User can execute this ID Read instruction to identify the Device ID and Manufacturer ID. The sequence of issue ID instruction is CS# goes low→sending ID instruction→Data out on SO→CS# goes high. Most significant bit (MSB) first.

After the command cycle, the device will immediately output data on the falling edge of SCLK. The manufacturer ID, memory type, and device ID data byte will be output continuously, until the CS# goes high.

Table 7. ID Definitions

| Command Type | MX25L3235E | | |
|----------------------|-----------------|-------------|----------------|
| RDID | manufacturer ID | memory type | memory density |
| | C2 | 20 | 16 |
| RES | electronic ID | | |
| | 15 | | |
| REMS/REMS2/ REMS4 | manufacturer ID | device ID | |
| | C2 | 15 | |

10-25. Enter Secured OTP (ENSO)

The ENSO instruction is for entering the additional 4K-bit Secured OTP mode. The additional 4K-bit Secured OTP is independent from main array, which may use to store unique serial number for system identifier. After entering the Secured OTP mode, and then follow standard read or program procedure to read out the data or update data. The Secured OTP data cannot be updated again once it is lock-down.

The sequence of issuing ENSO instruction is: CS# goes low→ sending ENSO instruction to enter Secured OTP mode→ CS# goes high.

The SIO[3:1] are don't care when during this mode.

Please note that WRSR/WRSCUR/WPSEL/SBLK/GBLK/SBULK/GBULK/CE/BE/SE/BE32K commands are not acceptable during the access of secure OTP region, once Security OTP is locked down, only read related commands are valid.

10-26. Exit Secured OTP (EXSO)

The EXSO instruction is for exiting the additional 4K-bit Secured OTP mode.

The sequence of issuing EXSO instruction is: CS# goes low→ sending EXSO instruction to exit Secured OTP mode→ CS# goes high.

The SIO[3:1] are don't care when during this mode.

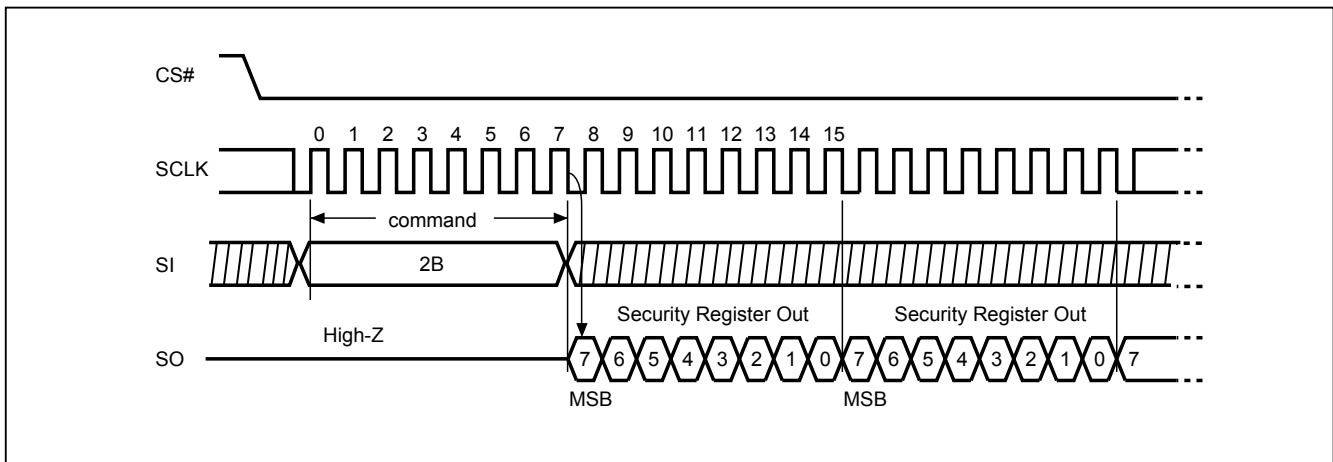
10-27. Read Security Register (RDSCUR)

The RDSCUR instruction is for reading the value of Security Register. The Read Security Register can be read at any time (even in program/erase/write status register/write security register condition) and continuously.

The sequence of issuing RDSCUR instruction is : CS# goes low→ sending RDSCUR instruction → Security Register data out on SO→ CS# goes high.

The SIO[3:1] are don't care when during this mode.

Figure 30. Read Security Register (RDSCUR) Sequence (Command 2B)



The definition of the Security Register is as below:

Secured OTP Indicator bit. The Secured OTP indicator bit shows the chip is locked by factory before ex- factory or not. When it is "0", it indicates non-factory lock; "1" indicates factory- lock.

Lock-down Secured OTP (LDSO) bit. By writing WRSCUR instruction, the LDSO bit may be set to "1" for customer lock-down purpose. However, once the bit is set to "1" (lock-down), the LDSO bit and the 4K-bit Secured OTP area cannot be updated any more. While it is in 4K-bit Secured OTP mode, array access is not allowed.

Continuous Program Mode (CP mode) bit. The Continuous Program Mode bit indicates the status of CP mode, "0" indicates not in CP mode; "1" indicates in CP mode.

Program Fail Flag bit. While a program failure happened, the Program Fail Flag bit would be set. If the program operation fails on a protected memory region or locked OTP region, this bit will also be set. This bit can be the failure indication of one or more program operations. This fail flag bit will be cleared automatically after the next successful program operation.

Erase Fail Flag bit. While an erase failure happened, the Erase Fail Flag bit would be set. If the erase operation fails on a protected memory region or locked OTP region, this bit will also be set. This bit can be the failure indication of one or more erase operations. This fail flag bit will be cleared automatically after the next successful erase operation.

Write Protection Select bit. The Write Protection Select bit indicates that WPSEL has been executed successfully. Once this bit has been set (WPSEL=1), all the blocks or sectors will be write-protected after the power-on every time. Once WPSEL has been set, it cannot be changed again, which means it's only for individual WP mode.

Under the individual block protection mode (WPSEL=1), hardware protection is performed by driving WP#=0. Once WP#=0, all array blocks/sectors are protected regardless of the contents of SRAM lock bits.

Table 8. Security Register Definition

| bit7 | bit6 | bit5 | bit4 | bit3 | bit2 | bit1 | bit0 |
|--|---|---|--|--------------|--------------|--|---|
| WPSEL | E_FAIL | P_FAIL | Continuously Program mode (CP mode) | Reserved | Reserved | LDSO (lock-down 4K-bit Secured OTP) | 4K-bit Secured OTP |
| 0=normal WP mode 1=individual WP mode (default=0) | 0=normal Erase succeed 1=indicate Erase failed (default=0) | 0=normal Program succeed 1=indicate Program failed (default=0) | 0=normal Program mode 1=CP mode (default=0) | - | - | 0 = not lockdown 1 = lock-down (cannot program/erase OTP) | 0 = nonfactory lock 1 = factory lock |
| non-volatile bit | volatile bit | volatile bit | volatile bit | volatile bit | volatile bit | non-volatile bit | non-volatile bit |
| OTP | Read Only | Read Only | Read Only | Read Only | Read Only | OTP | Read Only |

10-28. Write Security Register (WRSCUR)

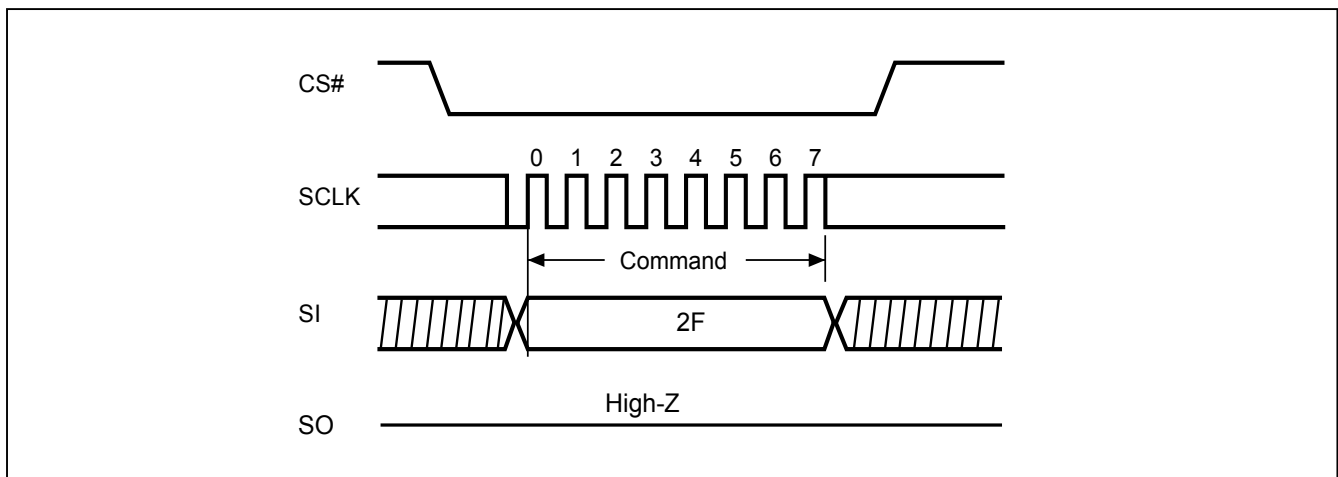
The WRSCUR instruction is for changing the values of Security Register Bits. The WREN instruction is required before sending WRSCUR instruction. The WRSCUR instruction may change the values of bit1 (LDSO bit) for customer to lock-down the 4K-bit Secured OTP area. Once the LDSO bit is set to "1", the Secured OTP area cannot be updated any more.

The sequence of issuing WRSCUR instruction is :CS# goes low→ sending WRSCUR instruction → CS# goes high.

The SIO[3:1] are don't care when during this mode.

The CS# must go high exactly at the boundary; otherwise, the instruction will be rejected and not executed.

Figure 31. Write Security Register (WRSCUR) Sequence (Command 2F)



10-29. Write Protection Selection (WPSEL)

There are two write protection methods, (1) BP protection mode (2) individual block protection mode. If WPSEL=0, flash is under BP protection mode. If WPSEL=1, flash is under individual block protection mode. The default value of WPSEL is "0". WPSEL command can be used to set WPSEL=1. **Please note that WPSEL is an OTP bit. Once WPSEL is set to 1, there is no chance to recovery WPSEL back to "0".** If the flash is put on BP mode, the individual block protection mode is disabled. Contrarily, if flash is on the individual block protection mode, the BP mode is disabled.

The SIO[3:1] are don't care when during this mode.

Every time after the system is powered-on, and the Security Register bit 7 is checked to be WPSEL=1, all the blocks or sectors will be write protected by default. User may only unlock the blocks or sectors via SBULK and GBULK instruction. Program or erase functions can only be operated after the Unlock instruction is conducted.

BP protection mode, WPSEL=0:

ARRAY is protected by BP3~BP0 and BP3~BP0 bits are protected by "SRWD=1 and WP#=0", where SRWD is bit 7 of status register that can be set by WRSR command.

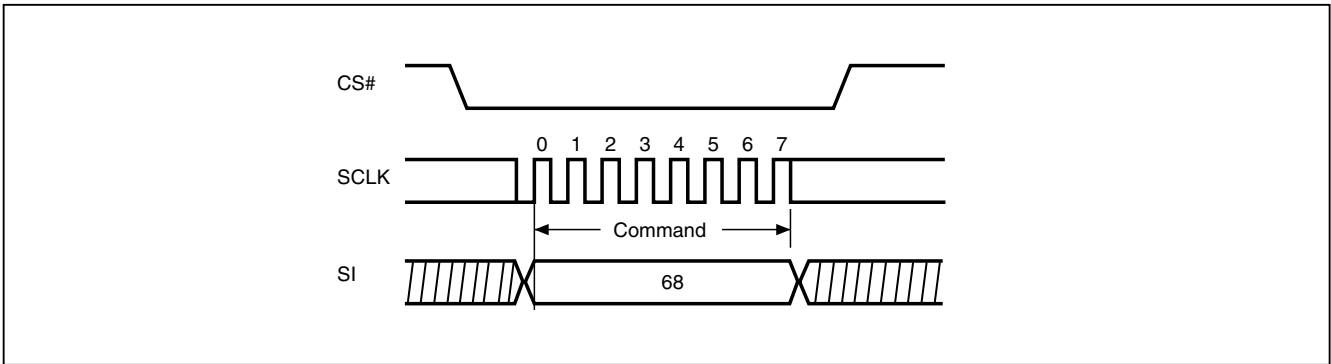
Individual block protection mode, WPSEL=1:

Blocks are individually protected by their own SRAM lock bits which are set to “1” after power up. SBULK and SBLK command can set SRAM lock bit to “0” and “1”. When the system accepts and executes WPSEL instruction, the bit 7 in security register will be set. It will activate SBLK, SBULK, RDBLOCK, GBLK, GBULK, PBLK, RDPBLK etc instructions to conduct block lock protection and replace the original Software Protect Mode (SPM) use (BP3~BP0) indicated block methods. Under the individual block protection mode (WPSEL=1), hardware protection is performed by driving WP#=0. Once WP#=0, all array blocks/sectors are protected regardless of the contents of SRAM lock bits.

The WREN (Write Enable) instruction is required before issuing WPSEL instruction.

The sequence of issuing WPSEL instruction is: CS# goes low → sending WPSEL instruction to enter the individual block protect mode → CS# goes high.

Figure 32. Write Protection Selection (WPSEL) Sequence (Command 68)



WPSEL instruction function flow is as follows:

Figure 33. BP and SRWD if WPSEL=0

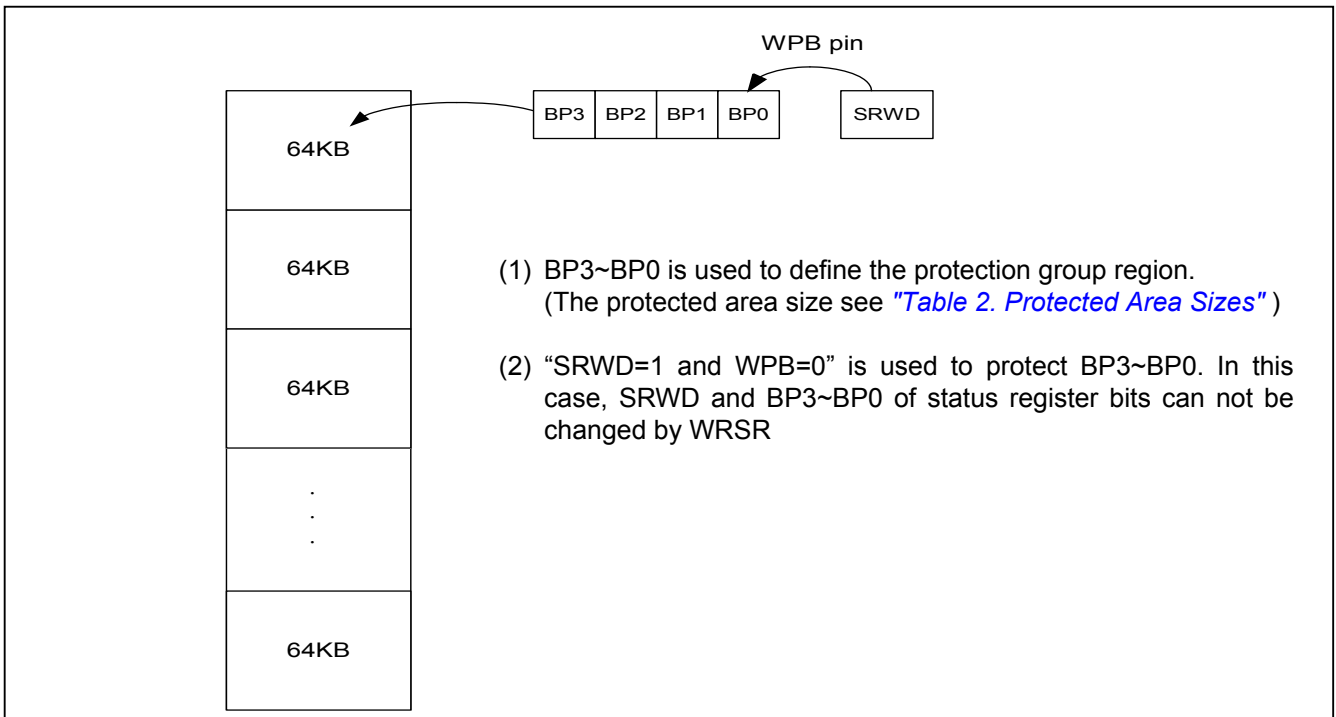


Figure 34. The individual block lock mode is effective after setting WPSEL=1

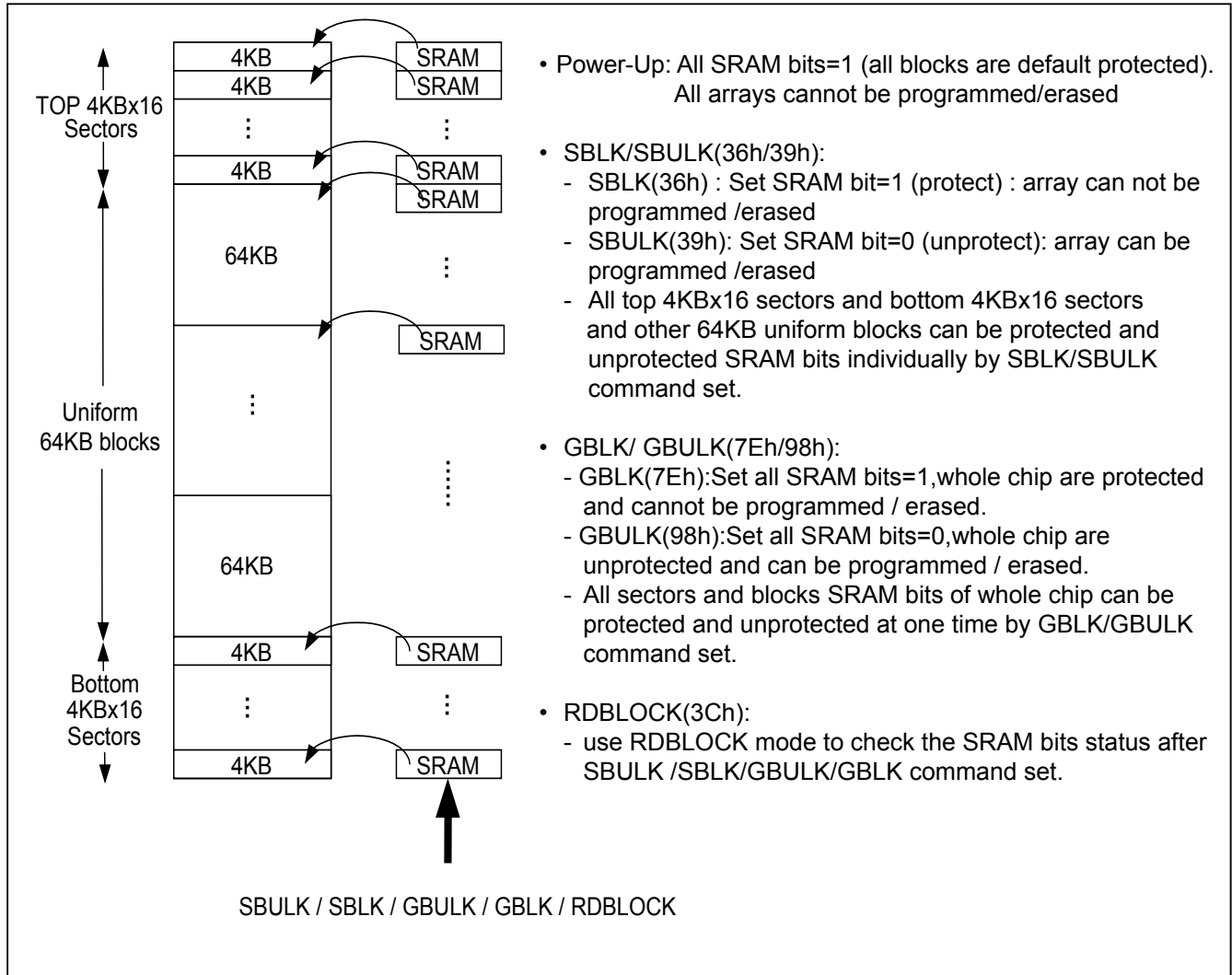
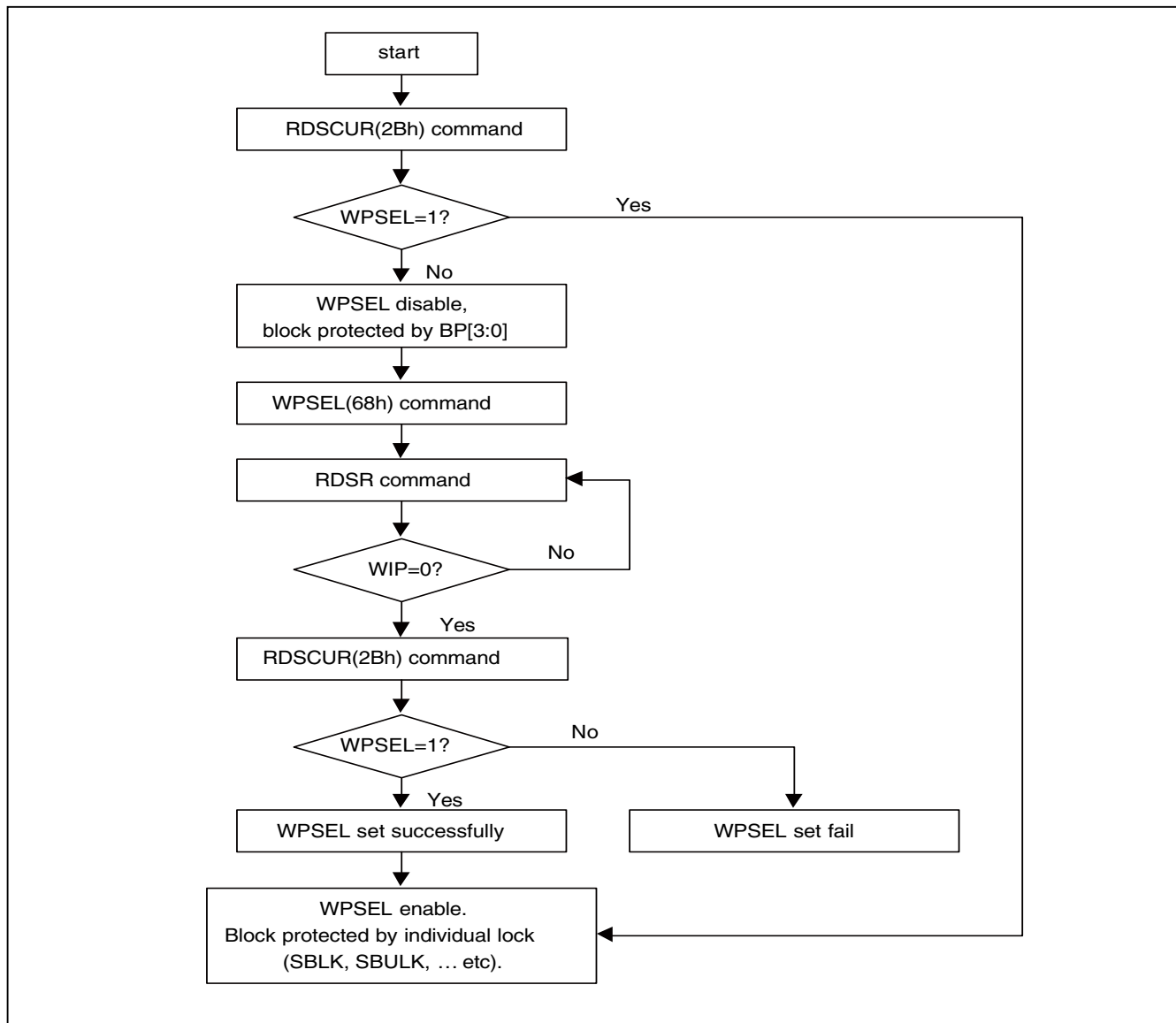


Figure 35. WPSEL Flow

10-30. Single Block Lock/Unlock Protection (SBLK/SBULK)

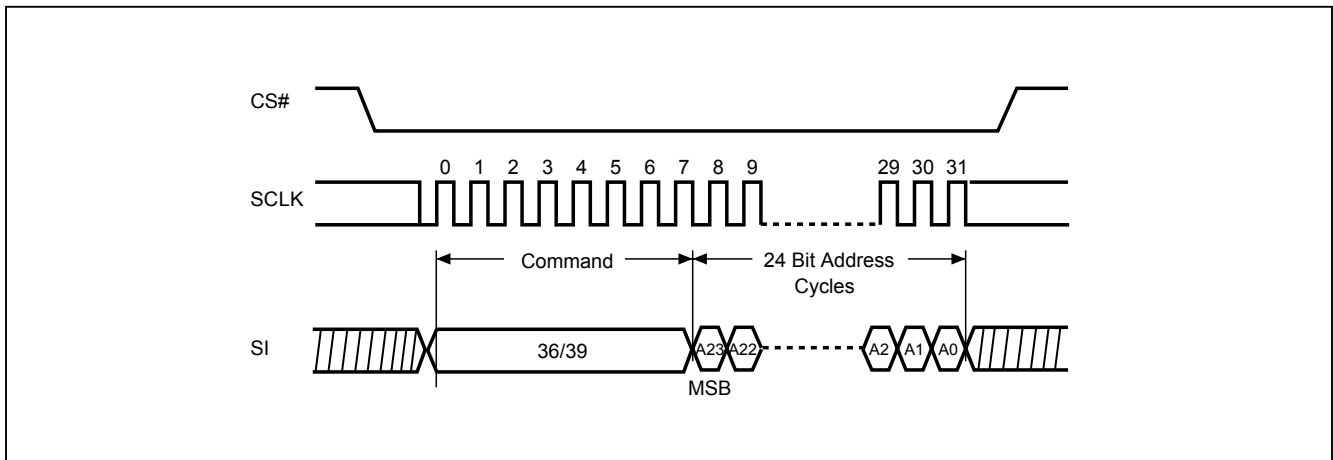
These instructions are only effective after WPSEL was executed. The SBLK instruction is for write protection a specified block(or sector) of memory, using A23-A16 or (A23-A12) address bits to assign a 64Kbytes block (or 4K bytes sector) to be protected as read only. The SBULK instruction will cancel the block (or sector) write protection state. This feature allows user to stop protecting the entire block (or sector) through the chip unprotect command (GBULK).

The WREN (Write Enable) instruction is required before issuing SBLK/SBULK instruction. The sequence of issuing SBLK/SBULK instruction is: CS# goes low → send SBLK/SBULK (36h/39h) instruction → send 3 address bytes assign one block (or sector) to be protected on SI pin → CS# goes high.

The CS# must go high exactly at the byte boundary, otherwise the instruction will be rejected and not be executed.

The SIO[3:1] are don't care when during this mode.

Figure 36. Single Block Lock/Unlock Protection (SBLK/SBULK) Sequence (Command 36/39)



SBLK/SBULK instruction function flow is as follows:

Figure 37. Block Lock Flow

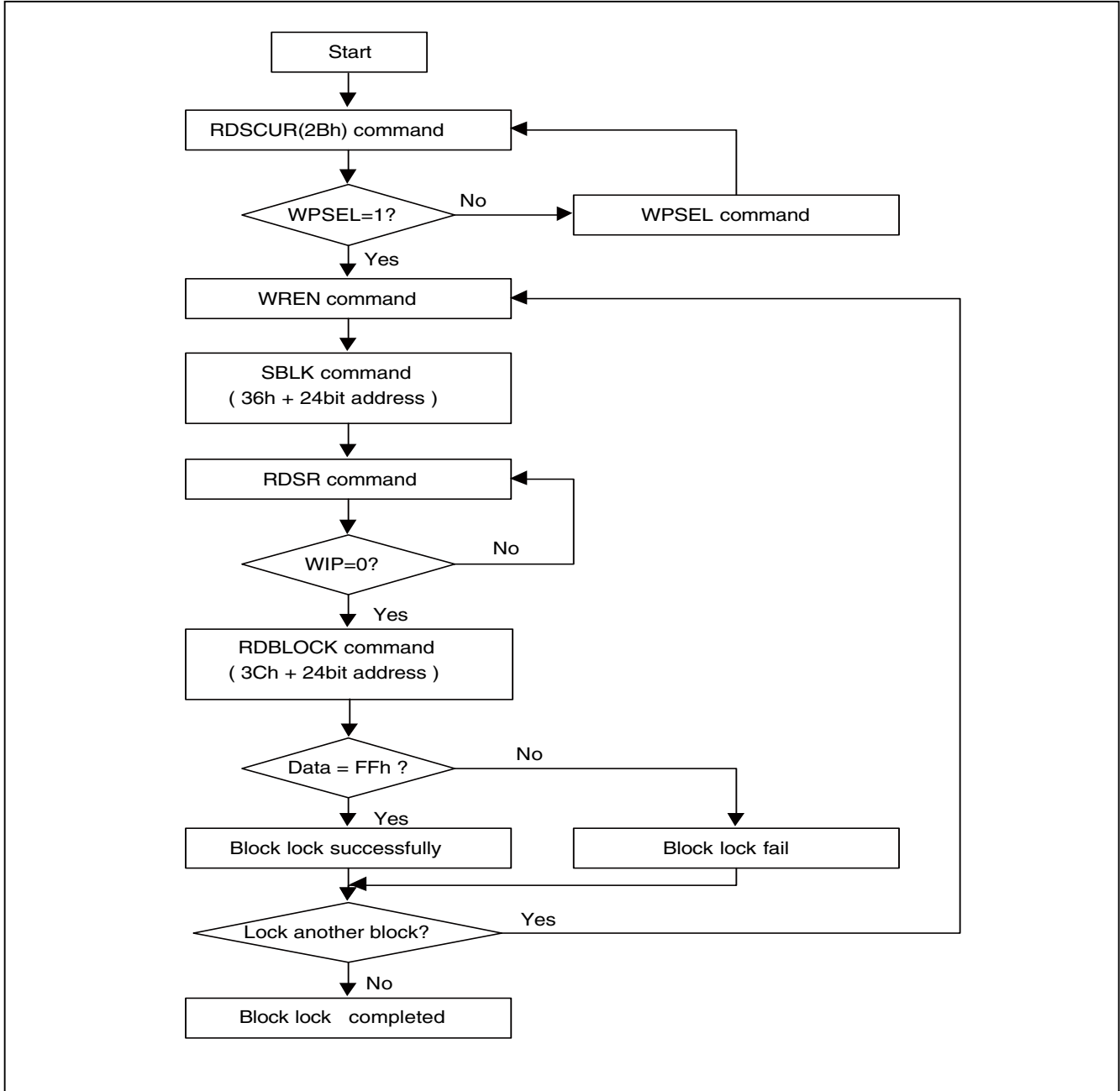
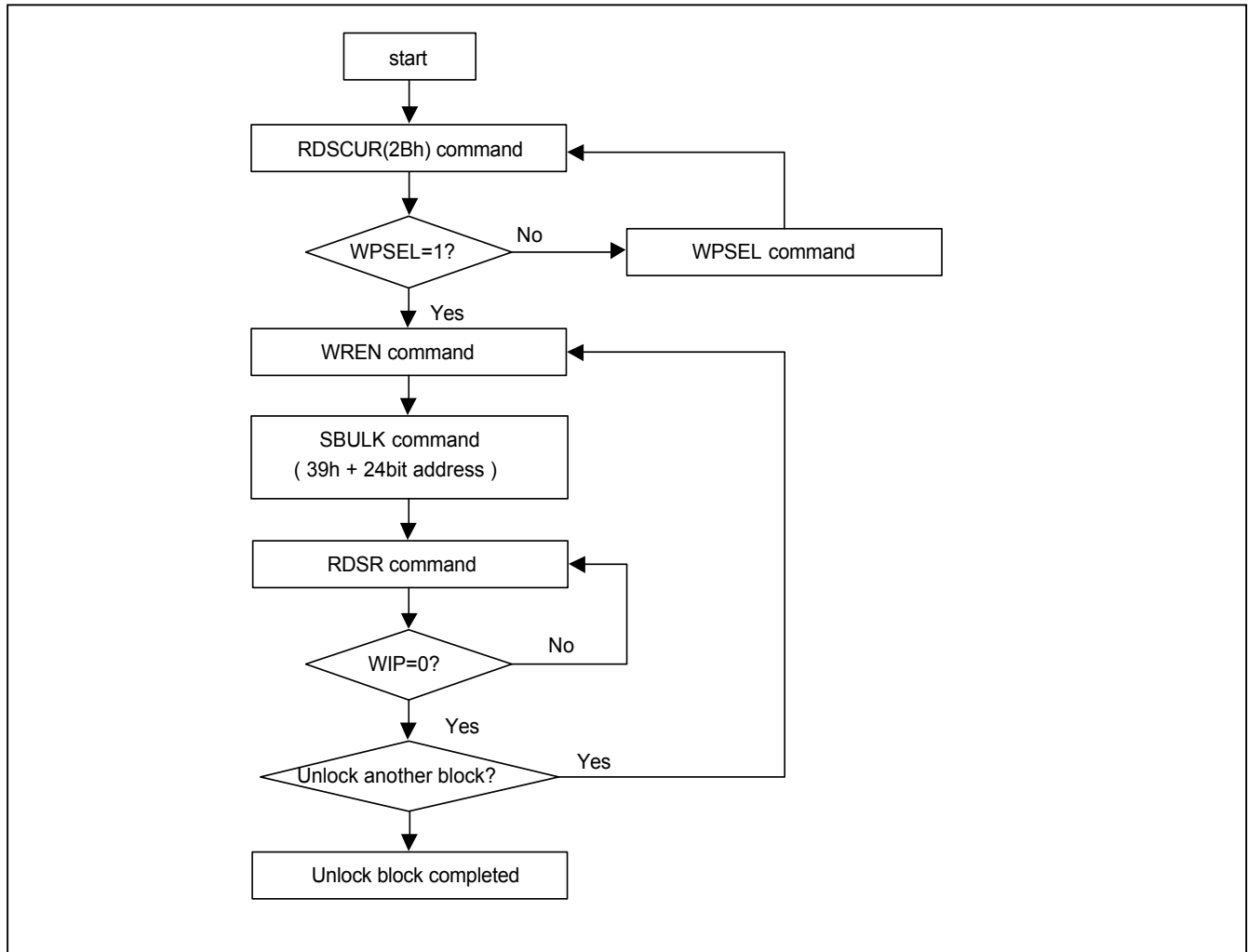


Figure 38. Block Unlock Flow



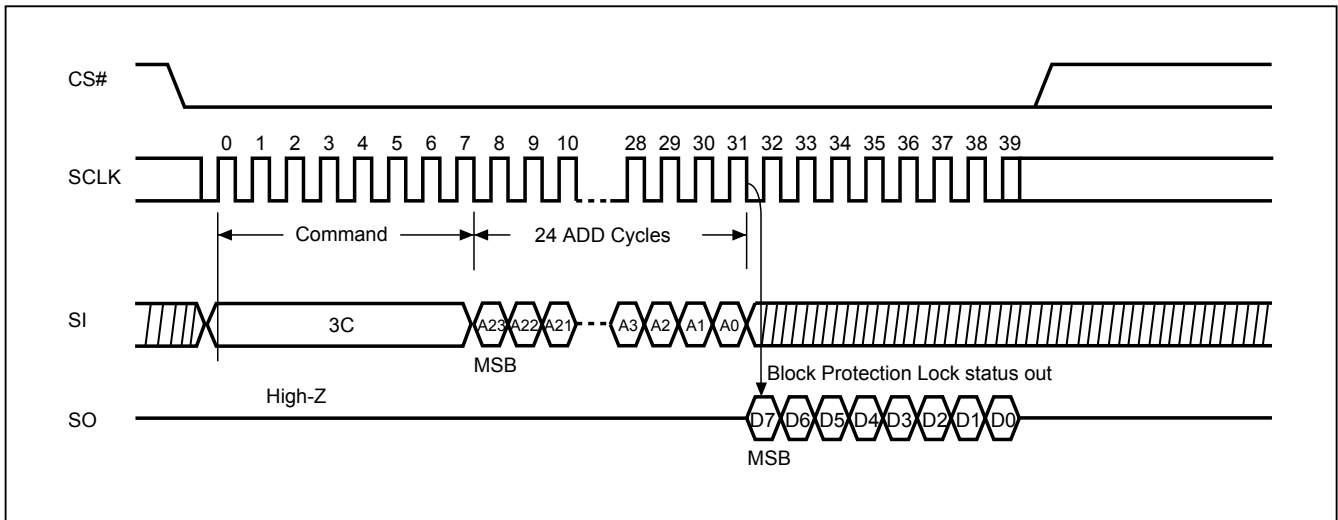
10-31. Read Block Lock Status (RDBLOCK)

This instruction is only effective after WPSEL was executed. The RDBLOCK instruction is for reading the status of protection lock of a specified block(or sector), using A23-A16 (or A23-A12) address bits to assign a 64K bytes block (4K bytes sector) and read protection lock status bit which the first byte of Read-out cycle. The status bit is "1" to indicate that this block has been protected, that user can read only but cannot write/program /erase this block. The status bit is "0" to indicate that this block hasn't be protected, and user can read and write this block.

The sequence of issuing RDBLOCK instruction is: CS# goes low → send RDBLOCK (3Ch) instruction → send 3 address bytes to assign one block on SI pin → read block's protection lock status bit on SO pin → CS# goes high.

The SIO[3:1] are don't care when during this mode.

Figure 39. Read Block Protection Lock Status (RDBLOCK) Sequence (Command 3C)



10-32. Gang Block Lock/Unlock (GBLK/GBULK)

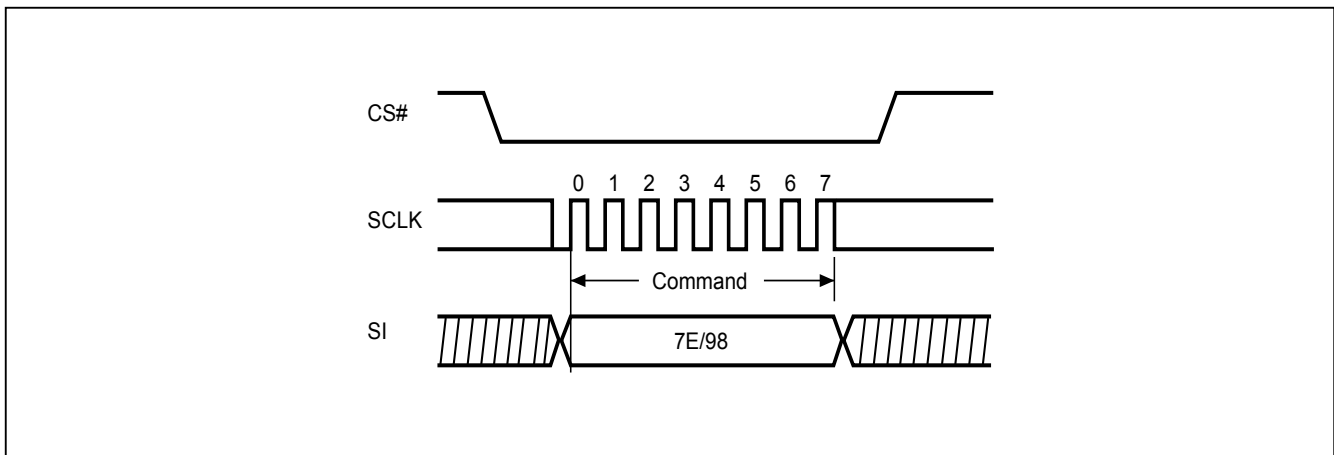
These instructions are only effective after WPSEL was executed. The GBLK/GBULK instruction is for enable/disable the lock protection block of the whole chip.

The WREN (Write Enable) instruction is required before issuing GBLK/GBULK instruction.

The sequence of issuing GBLK/GBULK instruction is: CS# goes low → send GBLK/GBULK (7Eh/98h) instruction → CS# goes high.

The CS# must go high exactly at the byte boundary, otherwise, the instruction will be rejected and not be executed.

The SIO[3:1] are don't care when during this mode.

Figure 40. Gang Block Lock/Unlock (GBLK/GBULK) Sequence (Command 7E/98)

10-33. Enable SO to Output RY/BY# (ESRY)

The ESRY instruction is for outputting the ready/busy status to SO during CP mode.
The sequence of issuing ESRY instruction is: CS# goes low → sending ESRY instruction code → CS# goes high.
The CS# must go high exactly at the byte boundary; otherwise, the instruction will be rejected and not executed.

10-34. Disable SO to Output RY/BY# (DSRY)

The DSRY instruction is for resetting ESRY during CP mode. The ready/busy status will not output to SO after DSRY issued.
The sequence of issuing DSRY instruction is: CS# goes low → send DSRY instruction code → CS# goes high.
The CS# must go high exactly at the byte boundary; otherwise, the instruction will be rejected and not executed.

10-35. No Operation (NOP)

The “No Operation” command is only able to terminate the Reset Enable (RSTEN) command and will not affect any other command.
The SIO[3:1] are don't care when during this mode.

10-36. Software Reset (Reset-Enable (RSTEN) and Reset (RST))

The Software Reset operation combines two instructions: Reset-Enable (RSTEN) command and Reset (RST) command. It returns the device to standby mode.

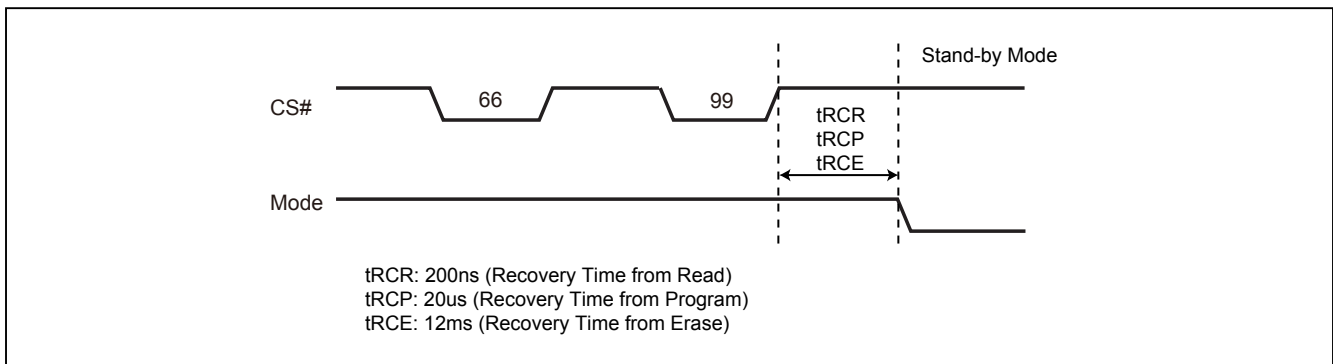
To execute Reset command (RST), the Reset-Enable (RSTEN) command must be executed first to perform the Reset operation. If there is any other command to interrupt after the Reset-Enable command, the Reset-Enable will be invalid.

The SIO[3:1] are don't care when during this mode.

If the Reset command is executed during program or erase operation, the operation will be disabled, the data under processing could be damaged or lost.

The reset time is different depending on the last operation. Longer latency time is required to recover from a program operation than from other operations.

Figure 41. Software Reset Recovery



10-37. Read SFDP Mode (RDSFDP)

The Serial Flash Discoverable Parameter (SFDP) standard provides a consistent method of describing the functional and feature capabilities of serial flash devices in a standard set of internal parameter tables. These parameter tables can be interrogated by host system software to enable adjustments needed to accommodate divergent features from multiple vendors. The concept is similar to the one found in the Introduction of JEDEC Standard, JESD68 on CFI.

The sequence of issuing RDSFDP instruction is CS# goes low→send RDSFDP instruction (5Ah)→send 3 address bytes on SI pin→send 1 dummy byte on SI pin→read SFDP code on SO→to end RDSFDP operation can use CS# to high at any time during data out.

SFDP is a JEDEC Standard, JESD216.

Figure 42. Read Serial Flash Discoverable Parameter (RDSFDP) Sequence

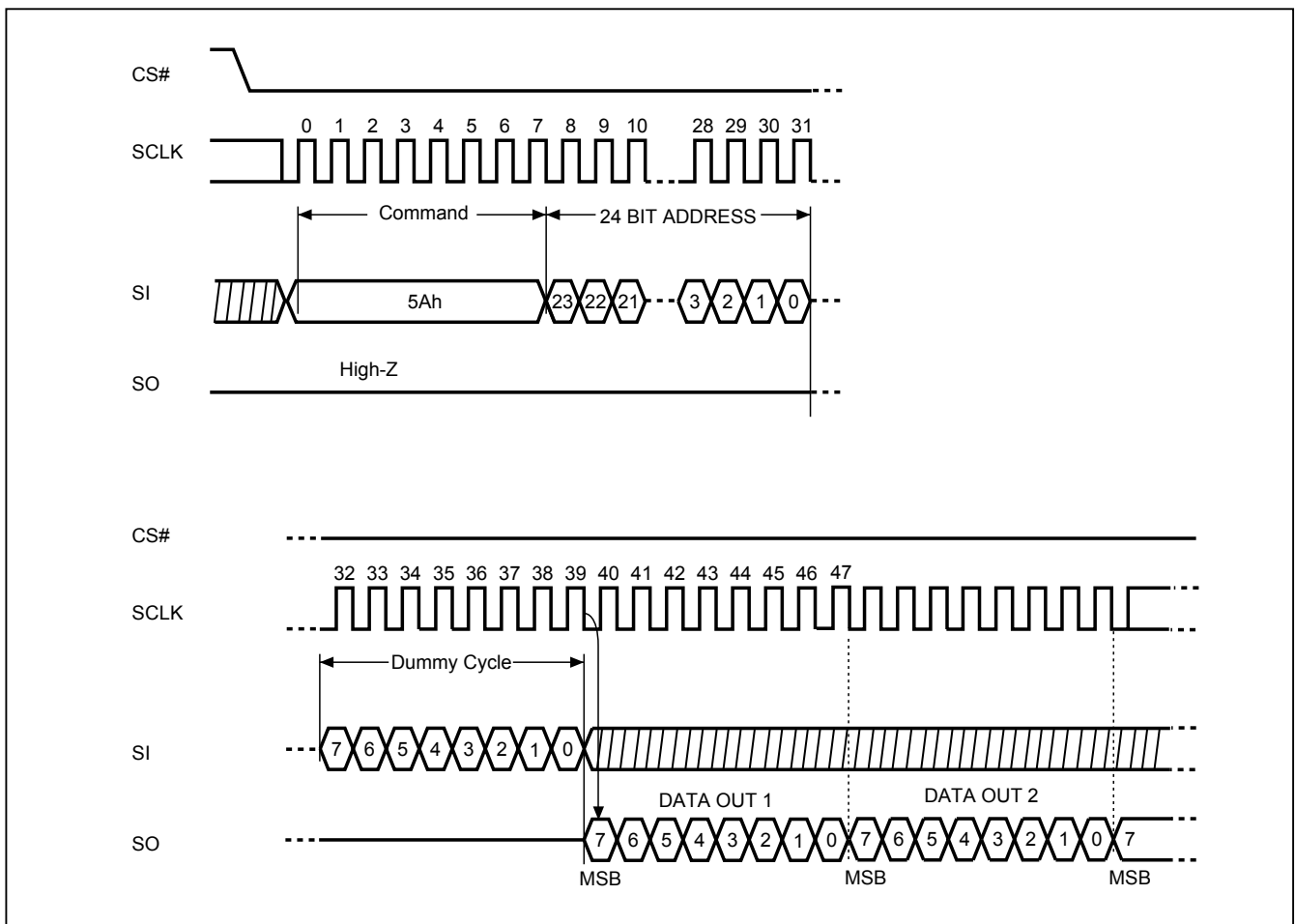


Table 9. Signature and Parameter Identification Data Values

| Description | Comment | Add (h) (Byte) | DW Add (Bit) | Data (h/b) (Note1) | Data (h) |
|--|--|-------------------|-----------------|-----------------------|-------------|
| SFDP Signature | Fixed: 50444653h | 00h | 07:00 | 53h | 53h |
| | | 01h | 15:08 | 46h | 46h |
| | | 02h | 23:16 | 44h | 44h |
| | | 03h | 31:24 | 50h | 50h |
| SFDP Minor Revision Number | Start from 00h | 04h | 07:00 | 00h | 00h |
| SFDP Major Revision Number | Start from 01h | 05h | 15:08 | 01h | 01h |
| Number of Parameter Headers | This number is 0-based. Therefore, 0 indicates 1 parameter header. | 06h | 23:16 | 01h | 01h |
| Unused | | 07h | 31:24 | FFh | FFh |
| ID number (JEDEC) | 00h: it indicates a JEDEC specified header. | 08h | 07:00 | 00h | 00h |
| Parameter Table Minor Revision Number | Start from 00h | 09h | 15:08 | 00h | 00h |
| Parameter Table Major Revision Number | Start from 01h | 0Ah | 23:16 | 01h | 01h |
| Parameter Table Length (in double word) | How many DWORDs in the Parameter table | 0Bh | 31:24 | 09h | 09h |
| Parameter Table Pointer (PTP) | First address of JEDEC Flash Parameter table | 0Ch | 07:00 | 30h | 30h |
| | | 0Dh | 15:08 | 00h | 00h |
| | | 0Eh | 23:16 | 00h | 00h |
| Unused | | 0Fh | 31:24 | FFh | FFh |
| ID number (Macronix manufacturer ID) | it indicates Macronix manufacturer ID | 10h | 07:00 | C2h | C2h |
| Parameter Table Minor Revision Number | Start from 00h | 11h | 15:08 | 00h | 00h |
| Parameter Table Major Revision Number | Start from 01h | 12h | 23:16 | 01h | 01h |
| Parameter Table Length (in double word) | How many DWORDs in the Parameter table | 13h | 31:24 | 04h | 04h |
| Parameter Table Pointer (PTP) | First address of Macronix Flash Parameter table | 14h | 07:00 | 60h | 60h |
| | | 15h | 15:08 | 00h | 00h |
| | | 16h | 23:16 | 00h | 00h |
| Unused | | 17h | 31:24 | FFh | FFh |

Table 10. Parameter Table (0): JEDEC Flash Parameter Tables

| Description | Comment | Add (h) (Byte) | DW Add (Bit) | Data (h/b) (Note1) | Data (h) |
|--|--|-------------------|-----------------|-----------------------|-------------|
| Block/Sector Erase sizes | 00: Reserved, 01: 4KB erase, 10: Reserved, 11: not support 4KB erase | 30h | 01:00 | 01b | E5h |
| Write Granularity | 0: 1Byte, 1: 64Byte or larger | | 02 | 1b | |
| Write Enable Instruction Required for Writing to Volatile Status Registers | 0: not required 1: required 00h to be written to the status register | | 03 | 0b | |
| Write Enable Opcode Select for Writing to Volatile Status Registers | 0: use 50h opcode, 1: use 06h opcode Note: If target flash status register is nonvolatile, then bits 3 and 4 must be set to 00b. | | 04 | 0b | |
| Unused | Contains 111b and can never be changed | | 07:05 | 111b | |
| 4KB Erase Opcode | | 31h | 15:08 | 20h | 20h |
| (1-1-2) Fast Read (Note2) | 0=not support 1=support | 32h | 16 | 1b | F1h |
| Address Bytes Number used in addressing flash array | 00: 3Byte only, 01: 3 or 4Byte, 10: 4Byte only, 11: Reserved | | 18:17 | 00b | |
| Double Transfer Rate (DTR) Clocking | 0=not support 1=support | | 19 | 0b | |
| (1-2-2) Fast Read | 0=not support 1=support | | 20 | 1b | |
| (1-4-4) Fast Read | 0=not support 1=support | | 21 | 1b | |
| (1-1-4) Fast Read | 0=not support 1=support | | 22 | 1b | |
| Unused | | | 23 | 1b | |
| Unused | | 33h | 31:24 | FFh | FFh |
| Flash Memory Density | | 37h:34h | 31:00 | 01FF FFFFh | |
| (1-4-4) Fast Read Number of Wait states (Note3) | 0 0000b: Wait states (Dummy Clocks) not support | 38h | 04:00 | 0 0100b | 44h |
| (1-4-4) Fast Read Number of Mode Bits (Note4) | 000b: Mode Bits not support | | 07:05 | 010b | |
| (1-4-4) Fast Read Opcode | | 39h | 15:08 | EBh | EBh |
| (1-1-4) Fast Read Number of Wait states | 0 0000b: Wait states (Dummy Clocks) not support | 3Ah | 20:16 | 0 1000b | 08h |
| (1-1-4) Fast Read Number of Mode Bits | 000b: Mode Bits not support | | 23:21 | 000b | |
| (1-1-4) Fast Read Opcode | | 3Bh | 31:24 | 6Bh | 6Bh |

| Description | Comment | Add (h) (Byte) | DW Add (Bit) | Data (h/b) (Note1) | Data (h) |
|---|---|-------------------|-----------------|-----------------------|-------------|
| (1-1-2) Fast Read Number of Wait states | 0 0000b: Wait states (Dummy Clocks) not support | 3Ch | 04:00 | 0 1000b | 08h |
| (1-1-2) Fast Read Number of Mode Bits | 000b: Mode Bits not support | | 07:05 | 000b | |
| (1-1-2) Fast Read Opcode | | 3Dh | 15:08 | 3Bh | 3Bh |
| (1-2-2) Fast Read Number of Wait states | 0 0000b: Wait states (Dummy Clocks) not support | 3Eh | 20:16 | 0 0100b | 04h |
| (1-2-2) Fast Read Number of Mode Bits | 000b: Mode Bits not support | | 23:21 | 000b | |
| (1-2-2) Fast Read Opcode | | 3Fh | 31:24 | BBh | BBh |
| (2-2-2) Fast Read | 0=not support 1=support | 40h | 00 | 0b | EEh |
| Unused | | | 03:01 | 111b | |
| (4-4-4) Fast Read | 0=not support 1=support | | 04 | 0b | |
| Unused | | | 07:05 | 111b | |
| Unused | | 43h:41h | 31:08 | FFh | FFh |
| Unused | | 45h:44h | 15:00 | FFh | FFh |
| (2-2-2) Fast Read Number of Wait states | 0 0000b: Wait states (Dummy Clocks) not support | 46h | 20:16 | 0 0000b | 00h |
| (2-2-2) Fast Read Number of Mode Bits | 000b: Mode Bits not support | | 23:21 | 000b | |
| (2-2-2) Fast Read Opcode | | 47h | 31:24 | FFh | FFh |
| Unused | | 49h:48h | 15:00 | FFh | FFh |
| (4-4-4) Fast Read Number of Wait states | 0 0000b: Wait states (Dummy Clocks) not support | 4Ah | 20:16 | 0 0000b | 00h |
| (4-4-4) Fast Read Number of Mode Bits | 000b: Mode Bits not support | | 23:21 | 000b | |
| (4-4-4) Fast Read Opcode | | 4Bh | 31:24 | FFh | FFh |
| Sector Type 1 Size | Sector/block size = 2 ^N bytes (Note5) 0x00b: this sector type doesn't exist | 4Ch | 07:00 | 0Ch | 0Ch |
| Sector Type 1 erase Opcode | | 4Dh | 15:08 | 20h | 20h |
| Sector Type 2 Size | Sector/block size = 2 ^N bytes 0x00b: this sector type doesn't exist | 4Eh | 23:16 | 0Fh | 0Fh |
| Sector Type 2 erase Opcode | | 4Fh | 31:24 | 52h | 52h |
| Sector Type 3 Size | Sector/block size = 2 ^N bytes 0x00b: this sector type doesn't exist | 50h | 07:00 | 10h | 10h |
| Sector Type 3 erase Opcode | | 51h | 15:08 | D8h | D8h |
| Sector Type 4 Size | Sector/block size = 2 ^N bytes 0x00b: this sector type doesn't exist | 52h | 23:16 | 00h | 00h |
| Sector Type 4 erase Opcode | | 53h | 31:24 | FFh | FFh |

Table 11. Parameter Table (1): Macronix Flash Parameter Tables

| Description | Comment | Add (h) (Byte) | DW Add (Bit) | Data (h/b) (Note1) | Data (h) | |
|---|---|-------------------|-----------------|-----------------------|-------------|-----|
| Vcc Supply Maximum Voltage | 2000h=2.000V 2700h=2.700V 3600h=3.600V | 61h:60h | 07:00 15:08 | 00h 36h | 00h 36h | |
| Vcc Supply Minimum Voltage | 1650h=1.650V 2250h=2.250V 2350h=2.350V 2700h=2.700V | 63h:62h | 23:16 31:24 | 00h 27h | 00h 27h | |
| H/W Reset# pin | 0=not support 1=support | 65h:64h | 00 | 0b | 499Eh | |
| H/W Hold# pin | 0=not support 1=support | | 01 | 1b | | |
| Deep Power Down Mode | 0=not support 1=support | | 02 | 1b | | |
| S/W Reset | 0=not support 1=support | | 03 | 1b | | |
| S/W Reset Opcode | Reset Enable (66h) should be issued before Reset Opcode | | 11:04 | 1001 1001b (99h) | | |
| Program Suspend/Resume | 0=not support 1=support | | 12 | 0b | | |
| Erase Suspend/Resume | 0=not support 1=support | | 13 | 0b | | |
| Unused | | | 14 | 1b | | |
| Wrap-Around Read mode | 0=not support 1=support | | 15 | 0b | | |
| Wrap-Around Read mode Opcode | | | 66h | 23:16 | | FFh |
| Wrap-Around Read data length | 08h:support 8B wrap-around read 16h:8B&16B 32h:8B&16B&32B 64h:8B&16B&32B&64B | 67h | 31:24 | FFh | FFh | |
| Individual block lock | 0=not support 1=support | 6Bh:68h | 00 | 1b | C8D9h | |
| Individual block lock bit (Volatile/Nonvolatile) | 0=Volatile 1=Nonvolatile | | 01 | 0b | | |
| Individual block lock Opcode | | | 09:02 | 0011 0110b (36h) | | |
| Individual block lock Volatile protect bit default protect status | 0=protect 1=unprotect | | 10 | 0b | | |
| Secured OTP | 0=not support 1=support | | 11 | 1b | | |
| Read Lock | 0=not support 1=support | | 12 | 0b | | |
| Permanent Lock | 0=not support 1=support | | 13 | 0b | | |
| Unused | | | 15:14 | 11b | | |
| Unused | | | 31:16 | FFh | | FFh |
| Unused | | | 6Fh:6Ch | 31:00 | | FFh |

Note 1: h/b is hexadecimal or binary.

Note 2: **(x-y-z)** means I/O mode nomenclature used to indicate the number of active pins used for the opcode (x), address (y), and data (z). At the present time, the only valid Read SFDP instruction modes are: (1-1-1), (2-2-2), and (4-4-4)

Note 3: **Wait States** is required dummy clock cycles after the address bits or optional mode bits.

Note 4: **Mode Bits** is optional control bits that follow the address bits. These bits are driven by the system controller if they are specified. (eg, read performance enhance toggling bits)

Note 5: 4KB=2^{0Ch}, 32KB=2^{0Fh}, 64KB=2^{10h}

Note 6: All unused and undefined area data is blank FFh.

11. POWER-ON STATE

The device is at below states when power-up:

- Standby mode (please note it is not Deep Power-down mode)
- Write Enable Latch (WEL) bit is reset

The device must not be selected during power-up and power-down stage unless the VCC achieves below correct level:

- VCC minimum at power-up stage and then after a delay of tVSL
- GND at power-down

Please note that a pull-up resistor on CS# may ensure a safe and proper power-up/down level.

An internal Power-on Reset (POR) circuit may protect the device from data corruption and inadvertent data change during power up state.

For further protection on the device, if the VCC does not reach the VCC minimum level, the correct operation is not guaranteed. The read, write, erase, and program command should be sent after the time delay:

- tVSL after VCC reached VCC minimum level

The device can accept read command after VCC reached VCC minimum and a time delay of tVSL.

Note:

- To stabilize the VCC level, the VCC rail decoupled by a suitable capacitor close to package pins is recommended. (generally around 0.1uF)

12. ELECTRICAL SPECIFICATIONS

12-1. Absolute Maximum Ratings

| RATING | | VALUE |
|-------------------------------|------------------|-------------------|
| Ambient Operating Temperature | Industrial grade | -40°C to 85°C |
| Storage Temperature | | -65°C to 150°C |
| Applied Input Voltage | | -0.5V to VCC+0.5V |
| Applied Output Voltage | | -0.5V to VCC+0.5V |
| VCC to Ground Potential | | -0.5V to 4.0V |

NOTICE:

1. Stresses greater than those listed under "Absolute Maximum Ratings" may cause permanent damage to the device. This is stress rating only and functional operational sections of this specification is not implied. Exposure to absolute maximum rating conditions for extended period may affect reliability.
2. Specifications contained within the following tables are subject to change.
3. During voltage transitions, all pins may overshoot Vss to -2.0V and Vcc to +2.0V for periods up to 20ns, see the figures below.

Figure 43. Maximum Negative Overshoot Waveform

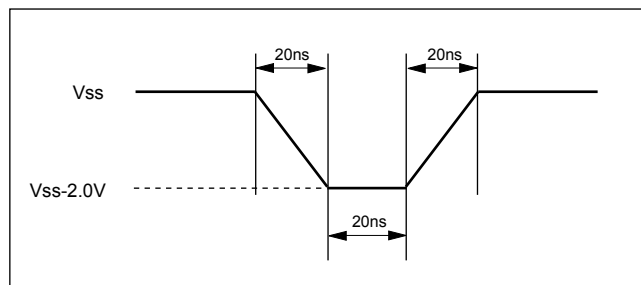
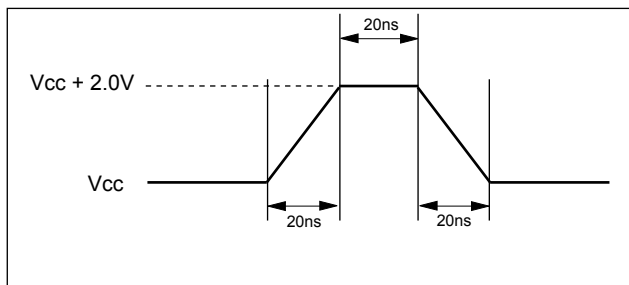


Figure 44. Maximum Positive Overshoot Waveform



12-2. Capacitance

TA = 25°C, f = 1.0 MHz

| SYMBOL | PARAMETER | MIN. | TYP. | MAX. | UNIT | CONDITIONS |
|--------|--------------------|------|------|------|------|------------|
| CIN | Input Capacitance | | | 6 | pF | VIN = 0V |
| COUT | Output Capacitance | | | 8 | pF | VOUT = 0V |

Figure 45. Input Test Waveforms and Measurement Level

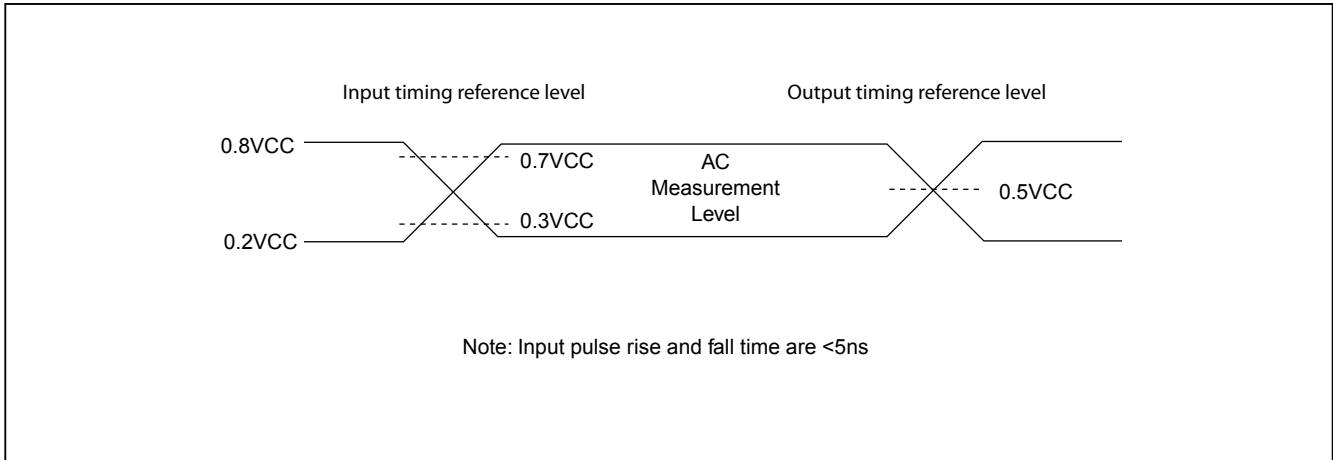


Figure 46. Output Loading

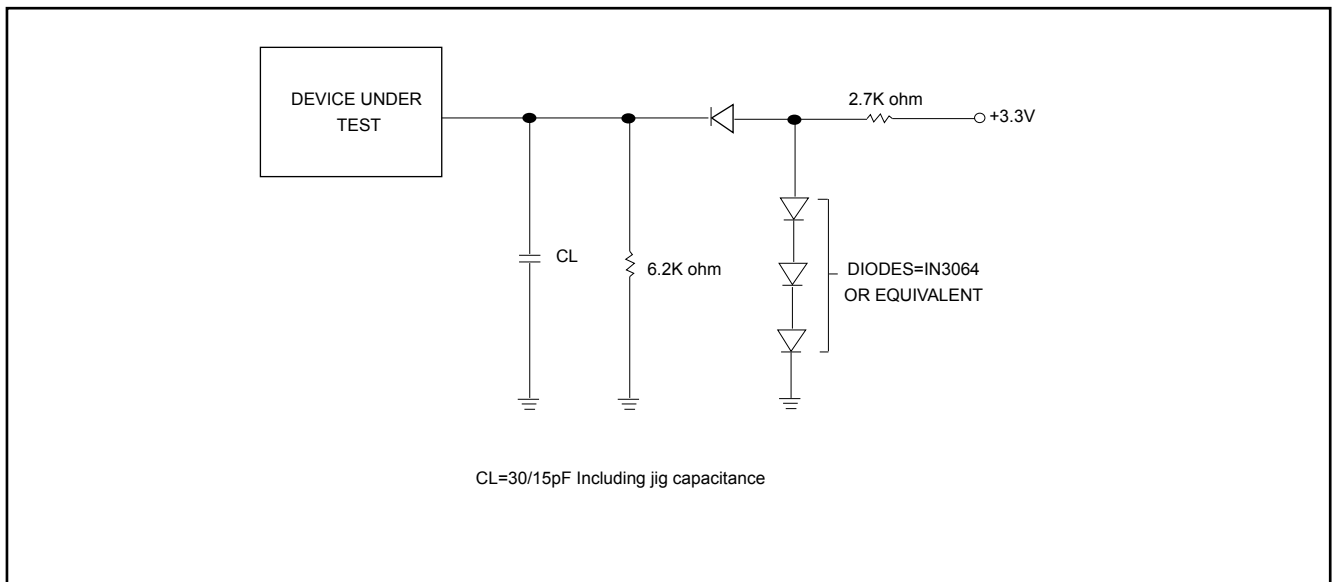


Table 12. DC Characteristics

Temperature = -40°C to 85°C for Industrial grade

| Symbol | Parameter | Notes | Min. | Typ. | Max. | Units | Test Conditions |
|--------|--|-------|---------|------|---------|-------|---|
| ILI | Input Load Current | 1 | | | ± 2 | uA | VCC = VCC Max, VIN = VCC or GND |
| ILO | Output Leakage Current | 1 | | | ± 2 | uA | VCC = VCC Max, VOUT = VCC or GND |
| ISB1 | VCC Standby Current | 1 | | 15 | 50 | uA | VIN = VCC or GND, CS# = VCC |
| ISB2 | Deep Power-down Current | | | 1 | 25 | uA | VIN = VCC or GND, CS# = VCC |
| ICC1 | VCC Read | 1 | | | 35 | mA | f=104MHz (4 x I/O read) SCLK=0.1VCC/0.9VCC, SO=Open |
| | | | | | 19 | mA | f=104MHz (1 x I/O read) SCLK=0.1VCC/0.9VCC, SO=Open |
| | | | | | 25 | mA | fQ=86MHz (4 x I/O read) SCLK=0.1VCC/0.9VCC, SO=Open |
| | | | | | 20 | mA | fT=86MHz (2 x I/O read) SCLK=0.1VCC/0.9VCC, SO=Open |
| | | | | | 10 | mA | f=33MHz, SCLK=0.1VCC/0.9VCC, SO=Open |
| ICC2 | VCC Program Current (PP) | 1 | | 15 | 25 | mA | Program in Progress, CS# = VCC |
| ICC3 | VCC Write Status Register (WRSR) Current | | | 15 | 20 | mA | Program status register in progress, CS#=VCC |
| ICC4 | VCC Sector Erase Current (SE) | 1 | | 10 | 25 | mA | Erase in Progress, CS#=VCC |
| ICC5 | VCC Chip Erase Current (CE) | 1 | | 15 | 25 | mA | Erase in Progress, CS#=VCC |
| VIL | Input Low Voltage | | -0.5 | | 0.8 | V | |
| VIH | Input High Voltage | | 0.7VCC | | VCC+0.4 | V | |
| VOL | Output Low Voltage | | | | 0.4 | V | IOL = 1.6mA |
| VOH | Output High Voltage | | VCC-0.2 | | | V | IOH = -100uA |

Notes :

1. Typical values at VCC = 3.3V, T = 25°C. These currents are valid for all product versions (package and speeds).
2. Typical value is calculated by simulation.
3. The value guaranteed by characterization, not 100% tested in production.

Table 13. AC Characteristics

Temperature = -40°C to 85°C for Industrial grade

| Symbol | Alt. | Parameter | Min. | Typ. | Max. | Unit | |
|------------------|---------------|--|----------------------|---------------|------|------|----|
| fSCLK | fC | Clock Frequency for all commands (except READ, 2READ, DREAD, 4READ, QREAD, 4PP instructions) | D.C. | | 104 | MHz | |
| fRSCLK | fR | Clock Frequency for READ instructions | | | 50 | MHz | |
| fTCLK | fT | Clock Frequency for 2READ/DREAD instructions | | | 86 | MHz | |
| | fQ | Clock Frequency for 4READ/QREAD instructions (4) | | | 86 | MHz | |
| tCH(1) | tCLH | Clock High Time | Others (fSCLK) | 4.5 | | ns | |
| | | | Normal Read (fRSCLK) | 9 | | ns | |
| tCL(1) | tCLL | Clock Low Time | Others (fSCLK) | 4.5 | | ns | |
| | | | Normal Read (fRSCLK) | 9 | | ns | |
| tCLCH | | Clock Rise Time (3) (peak to peak) | 0.1 | | | V/ns | |
| tCHCL | | Clock Fall Time (3) (peak to peak) | 0.1 | | | V/ns | |
| tSLCH | tCSS | CS# Active Setup Time (relative to SCLK) | 4 | | | ns | |
| tCHSL | | CS# Not Active Hold Time (relative to SCLK) | 4 | | | ns | |
| tDVCH | tDSU | Data In Setup Time | 2 | | | ns | |
| tCHDX | tDH | Data In Hold Time | 3 | | | ns | |
| tCHSH | | CS# Active Hold Time (relative to SCLK) | 4 | | | ns | |
| tSHCH | | CS# Not Active Setup Time (relative to SCLK) | 4 | | | ns | |
| tSHSL(3) | tCSH | CS# Deselect Time | Read | 15 | | ns | |
| | | | Write/Erase/Program | 50 | | ns | |
| tSHQZ | tDIS | Output Disable Time | 2.7V-3.6V | | 10 | ns | |
| | | | 3.0V-3.6V | | 8 | ns | |
| tHLCH | | HOLD# Active Setup Time (relative to SCLK) | 5 | | | ns | |
| tCHHH | | HOLD# Active Hold Time (relative to SCLK) | 5 | | | ns | |
| tHHCH | | HOLD# Not Active Setup Time (relative to SCLK) | 5 | | | ns | |
| tCHHL | | HOLD# Not Active Hold Time (relative to SCLK) | 5 | | | ns | |
| tHHQX | tLZ | HOLD# to Output Low-Z Loading=30pF | 2.7V-3.6V | | 10 | ns | |
| | | | 3.0V-3.6V | | 8 | ns | |
| tHLQZ | tHZ | HOLD# to Output High-Z Loading=30pF | 2.7V-3.6V | | 10 | ns | |
| | | | 3.0V-3.6V | | 8 | ns | |
| tCLQV | tV | Clock Low to Output Valid VCC=2.7V~3.6V | Loading: 10pF | 1 I/O | | 5 | ns |
| | | | | 2 I/O & 4 I/O | | 6 | ns |
| | | | Loading: 15pF | 1 I/O | | 6 | ns |
| | | | | 2 I/O & 4 I/O | | 6 | ns |
| Loading: 30pF | 1 I/O | | 7 | ns | | | |
| | 2 I/O & 4 I/O | | 8 | ns | | | |
| tCLQX | tHO | Output Hold Time | 1 | | | ns | |
| tWHSL | | Write Protect Setup Time | 20 | | | ns | |
| tSHWL | | Write Protect Hold Time | 100 | | | ns | |
| tDP | | CS# High to Deep Power-down Mode | | | 10 | us | |
| tRES1 | | CS# High to Standby Mode without Electronic Signature Read | | | 100 | us | |
| tRES2 | | CS# High to Standby Mode with Electronic Signature Read | | | 100 | us | |

| Symbol | Alt. | Parameter | Min. | Typ. | Max. | Unit |
|--------|------|----------------------------------|------|------|------|------|
| tW | | Write Status Register Cycle Time | | | 40 | ms |
| tBP | | Byte-Program | | 12 | 50 | us |
| tPP | | Page Program Cycle Time | | 0.7 | 3 | ms |
| tSE | | Sector Erase Cycle Time (4KB) | | 30 | 200 | ms |
| tBE | | Block Erase Cycle Time (32KB) | | 0.14 | 1.6 | s |
| tBE | | Block Erase Cycle Time (64KB) | | 0.25 | 2 | s |
| tCE | | Chip Erase Cycle Time | | 10 | 50 | s |
| tWPS | | Write Protection Selection Time | | | 1 | ms |
| tWSR | | Write Security Register Time | | | 1 | ms |

Notes:

1. tCH + tCL must be greater than or equal to 1/ fC.
2. The value guaranteed by characterization, not 100% tested in production.
3. Only applicable as a constraint for a WRSR instruction when SRWD is set at 1.
4. For 4READ instruction, when dummy cycle=6, clock rate is 86MHz (default), and when dummy cycle=8, clock rate is 104MHz.

13. TIMING ANALYSIS

Figure 47. Serial Input Timing

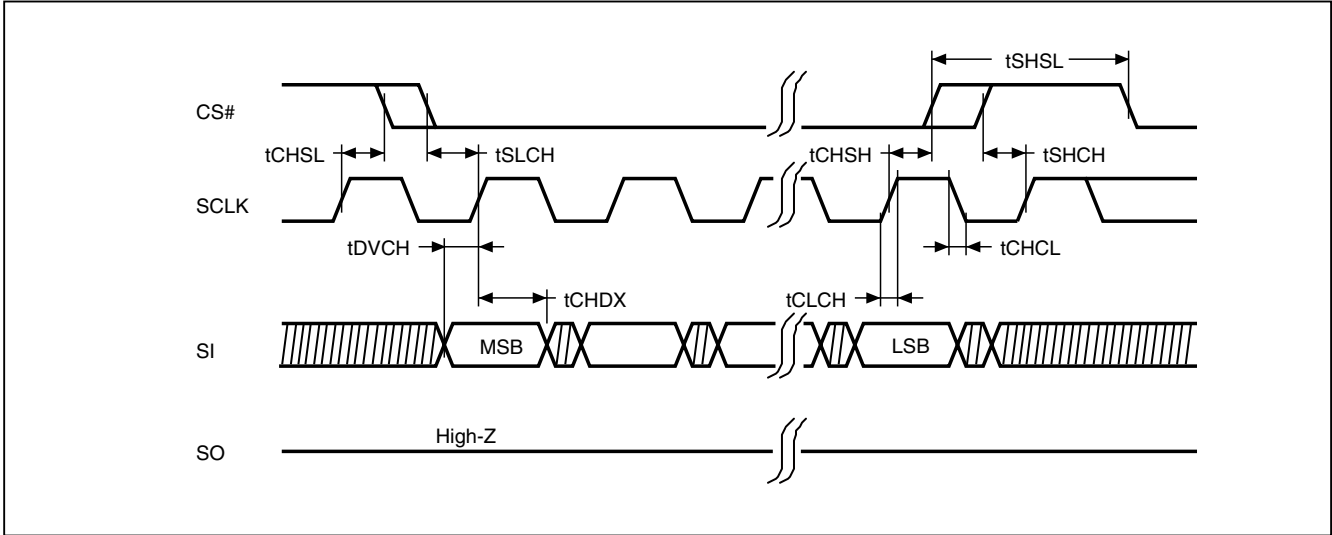


Figure 48. Output Timing

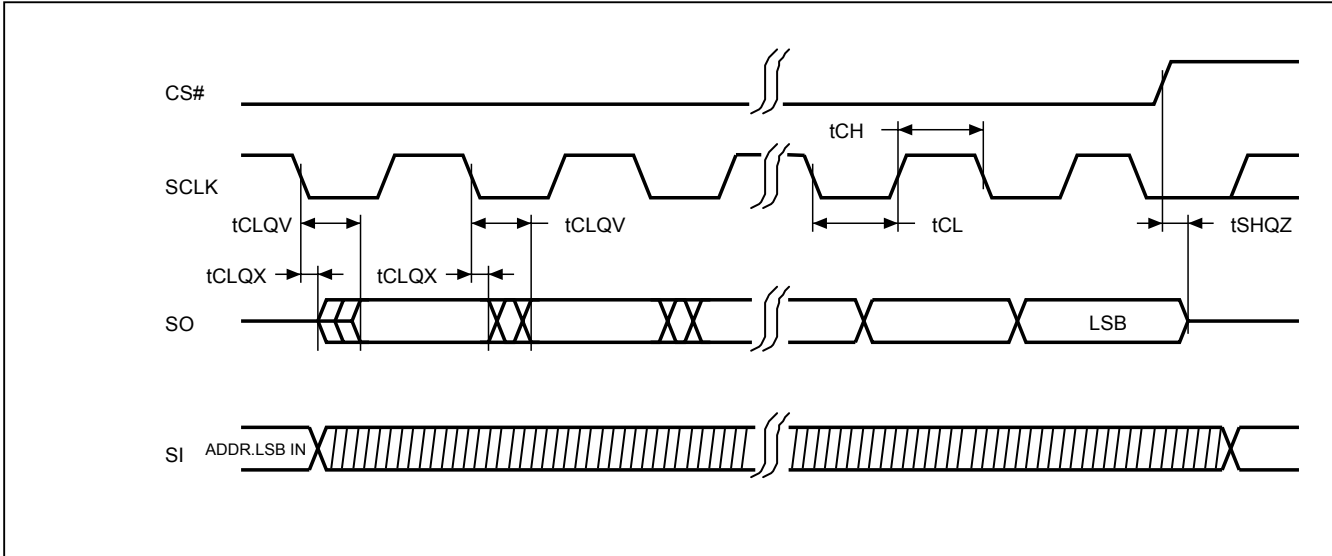


Figure 49. Hold Timing

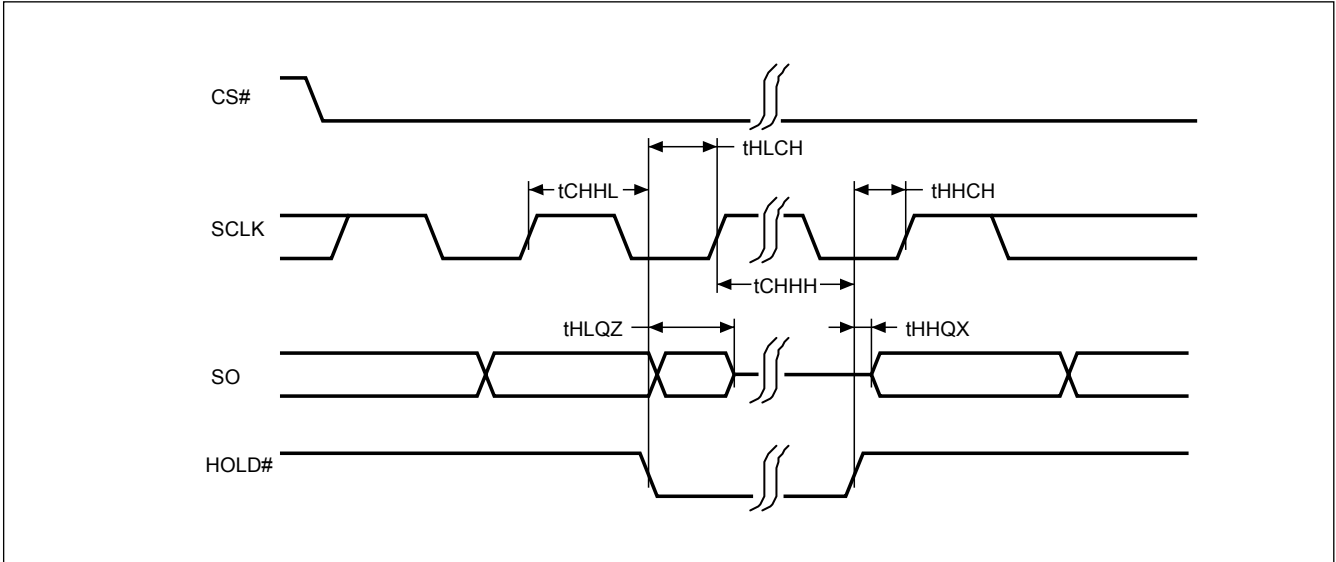


Figure 50. WP# Setup Timing and Hold Timing during WRSR when SRWD=1

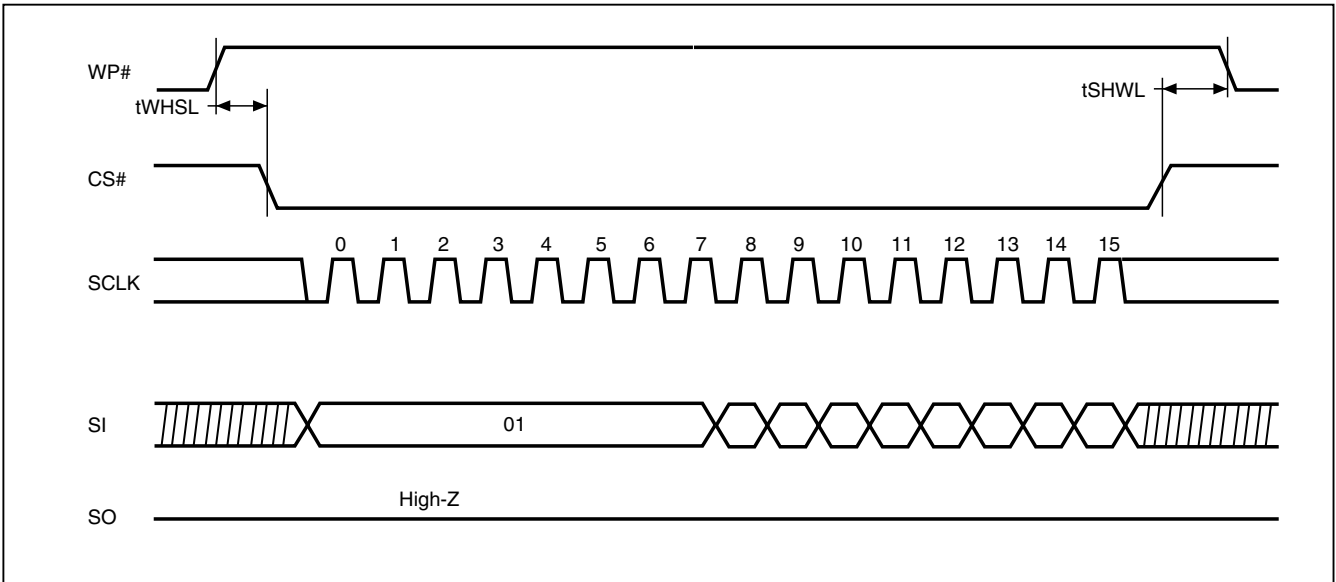
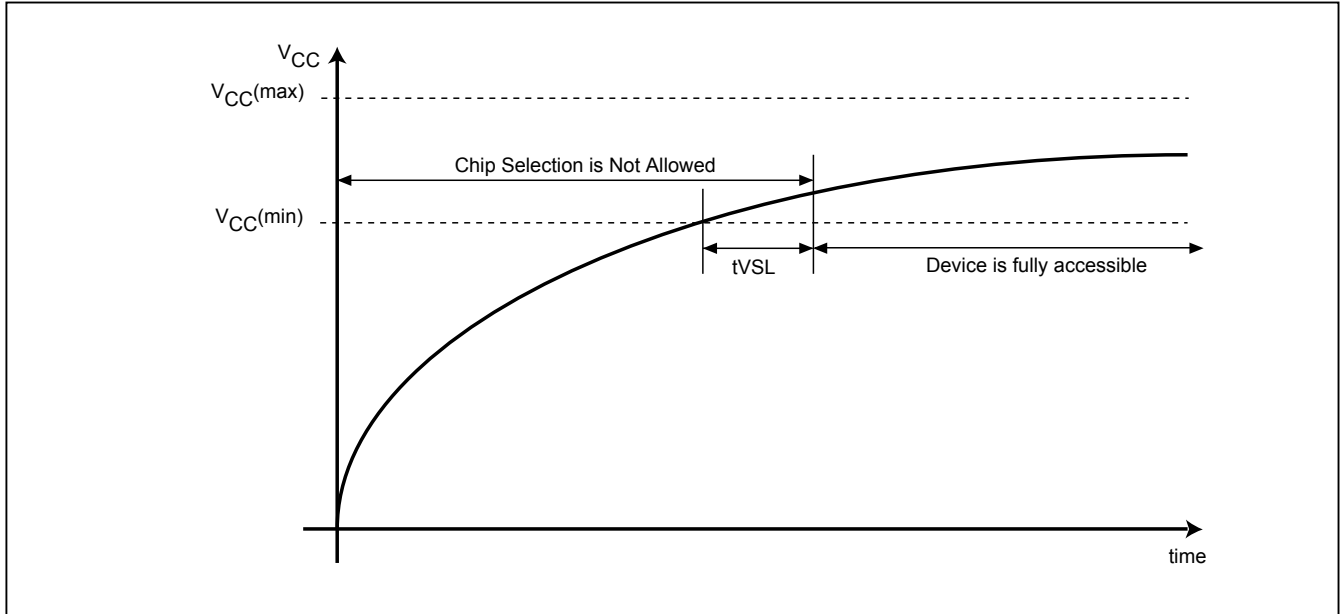


Figure 51. Power-Up Timing



Note: VCC (max.) is 3.6V and VCC (min.) is 2.7V.

Table 14. Power-Up Timing

| Symbol | Parameter | Min. | Max. | Unit |
|---------|---------------------|------|------|------|
| tVSL(1) | VCC(min) to CS# low | 300 | | us |

Note: The parameter is characterized only.

13-1. Initial Delivery State

The device is delivered with the memory array erased: all bits are set to 1 (each byte contains FFh). The Status Register contains 00h (all Status Register bits are 0).

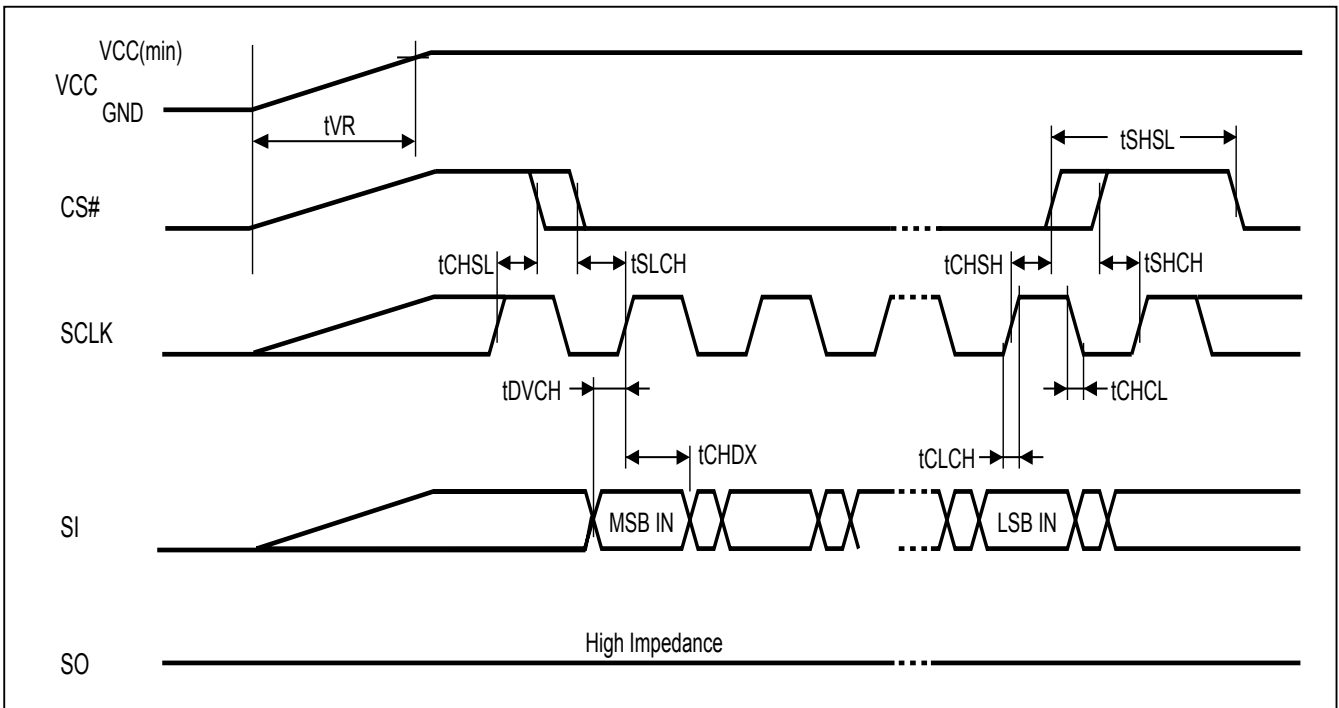
14. OPERATING CONDITIONS

At Device Power-Up and Power-Down

AC timing illustrated in "Figure 52. AC Timing at Device Power-Up" and "Figure 53. Power-Down Sequence" are for the supply voltages and the control signals at device power-up and power-down. If the timing in the figures is ignored, the device will not operate correctly.

During power-up and power-down, CS# needs to follow the voltage applied on VCC to keep the device not to be selected. The CS# can be driven low when VCC reach Vcc(min.) and wait a period of tVSL.

Figure 52. AC Timing at Device Power-Up



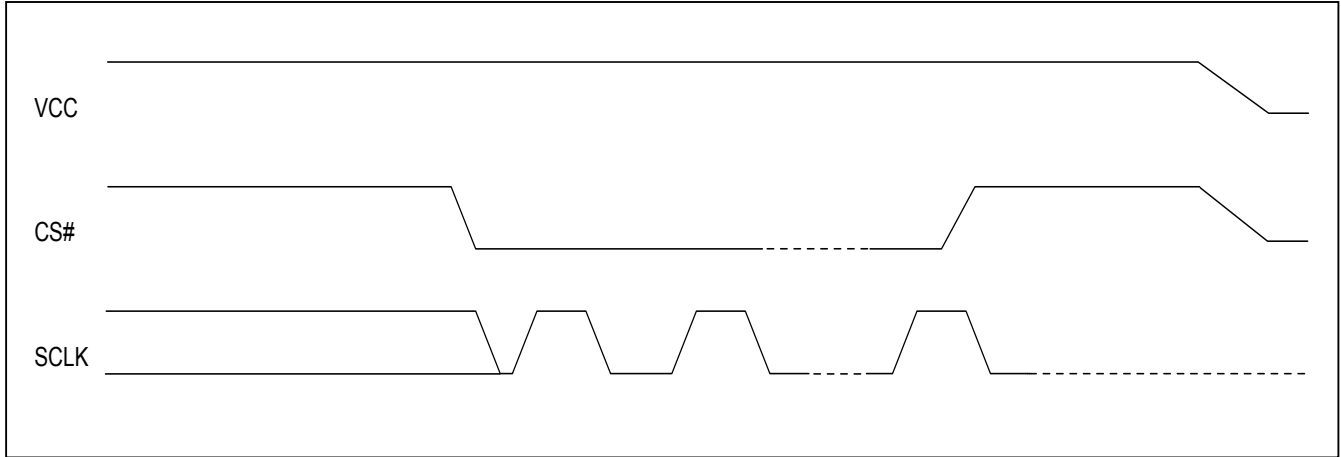
| Symbol | Parameter | Notes | Min. | Max. | Unit |
|--------|---------------|-------|------|--------|------|
| tVR | VCC Rise Time | 1 | 20 | 500000 | us/V |

Notes :

1. Sampled, not 100% tested.
2. For AC spec tCHSL, tSLCH, tDVCH, tCHDX, tSHSL, tCHSH, tSHCH, tCHCL, tCLCH in the figure, please refer to "Table 13. AC Characteristics".

Figure 53. Power-Down Sequence

During power-down, CS# needs to follow the voltage drop on VCC to avoid mis-operation.



15. ERASE AND PROGRAMMING PERFORMANCE

| Parameter | Typ. (1) | Max. (2) | Unit |
|--|----------|----------|--------|
| Write Status Register Cycle Time | | 40 | ms |
| Sector Erase Time (4KB) | 30 | 200 | ms |
| Block Erase Time (32KB) | 0.14 | 1.6 | s |
| Block Erase Time (64KB) | 0.25 | 2 | s |
| Chip Erase Time | 10 | 50 | s |
| Byte Program Time (via page program command) | 12 | 50 | us |
| Page Program Time | 0.7 | 3 | ms |
| Erase/Program Cycle | 100,000 | | cycles |

Notes:

1. Typical program and erase time assumes the following conditions: 25°C, 3.3V, and checkerboard pattern.
2. Under worst conditions of 85°C and 2.7V.
3. System-level overhead is the time required to execute the first-bus-cycle sequence for the programming command.

16. DATA RETENTION

| Parameter | Condition | Min. | Max. | Unit |
|----------------|-----------|------|------|-------|
| Data retention | 55°C | 20 | | years |

17. LATCH-UP CHARACTERISTICS

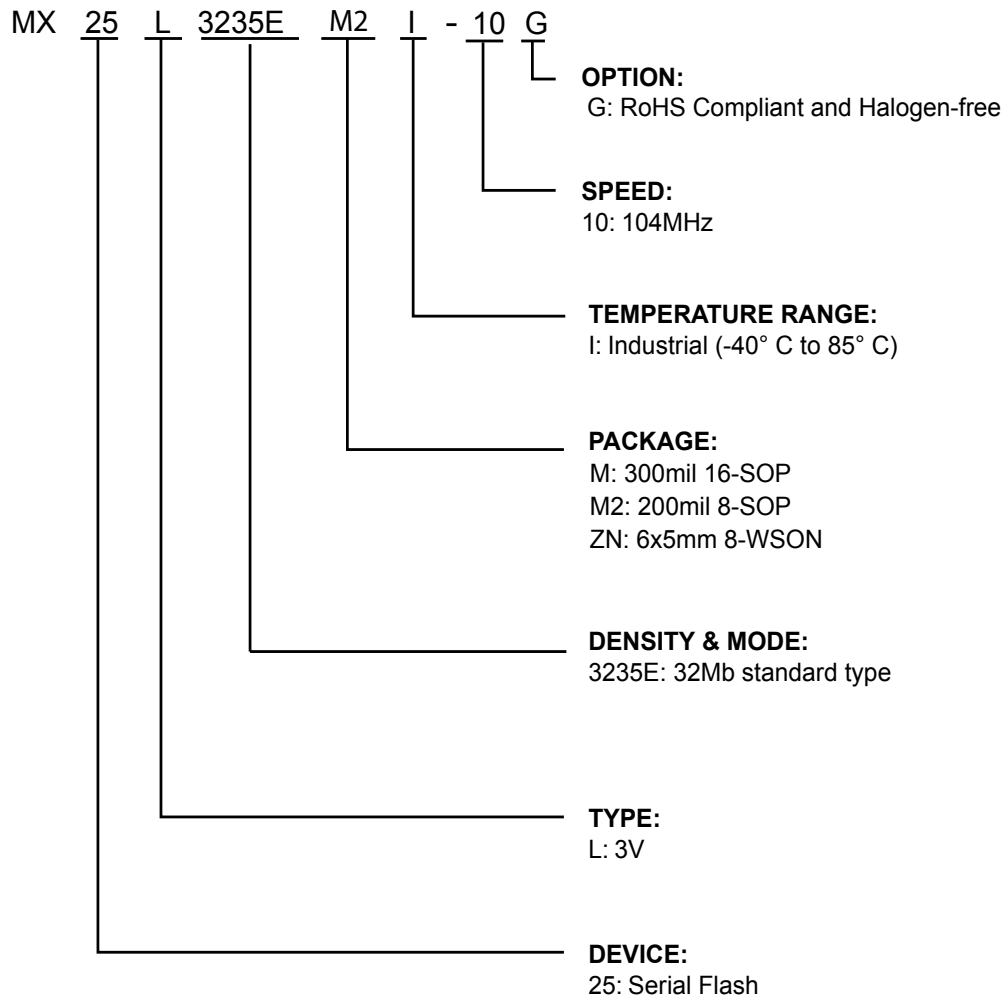
| | Min. | Max. |
|--|--------|------------|
| Input Voltage with respect to GND on all power pins, SI, CS# | -1.0V | 2 VCCmax |
| Input Voltage with respect to GND on SO | -1.0V | VCC + 1.0V |
| Current | -100mA | +100mA |

Includes all pins except VCC. Test conditions: VCC = 3.0V, one pin at a time.

18. ORDERING INFORMATION

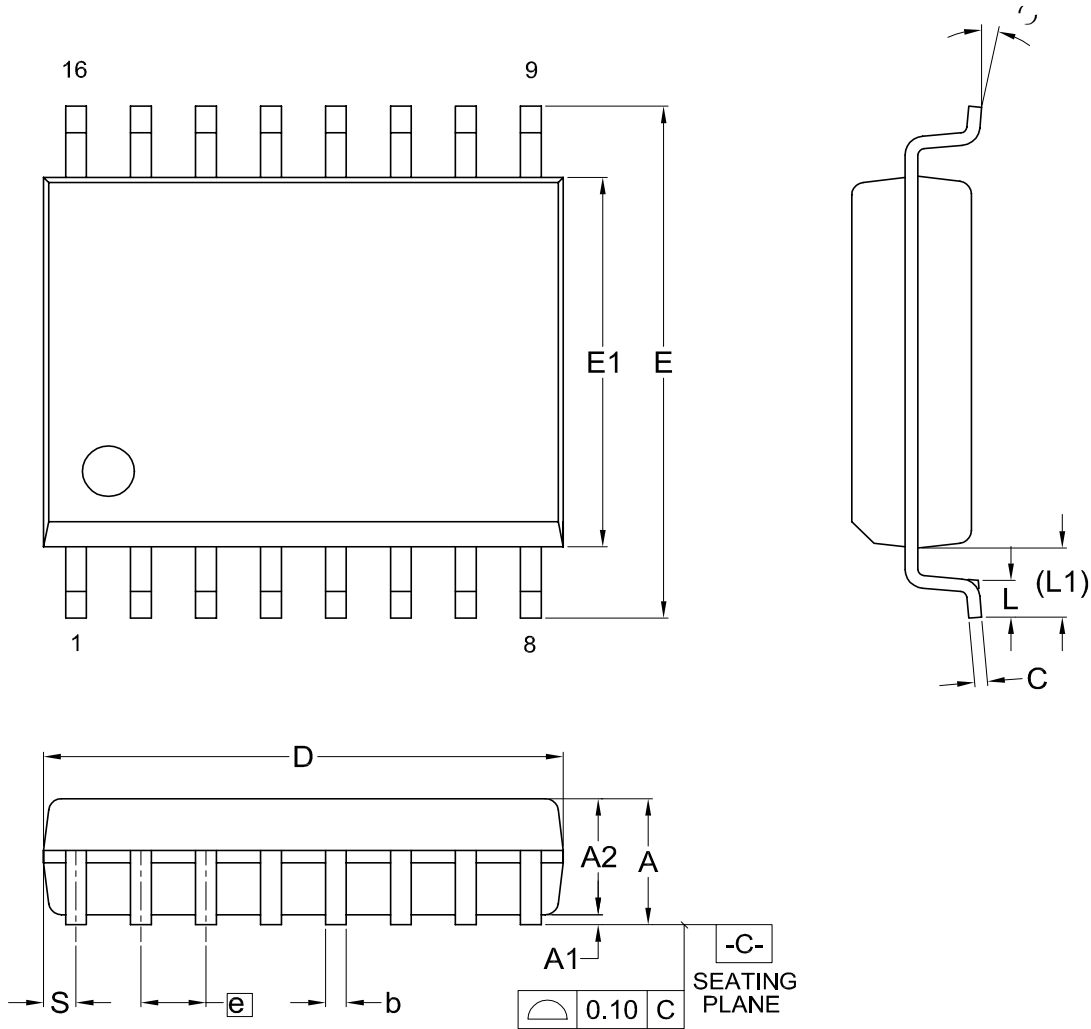
| PART NO. | CLOCK (MHz) | TEMPERATURE | PACKAGE | Remark |
|-------------------|-------------|-------------|--------------------|--------|
| MX25L3235EMI-10G | 104 | -40°C~85°C | 16-SOP (300mil) | |
| MX25L3235EM2I-10G | 104 | -40°C~85°C | 8-SOP (200mil) | |
| MX25L3235EZNI-10G | 104 | -40°C~85°C | 8-WSON (6x5mm) | |

19. PART NAME DESCRIPTION



20. PACKAGE INFORMATION

Doc. Title: Package Outline for SOP 16L (300MIL)

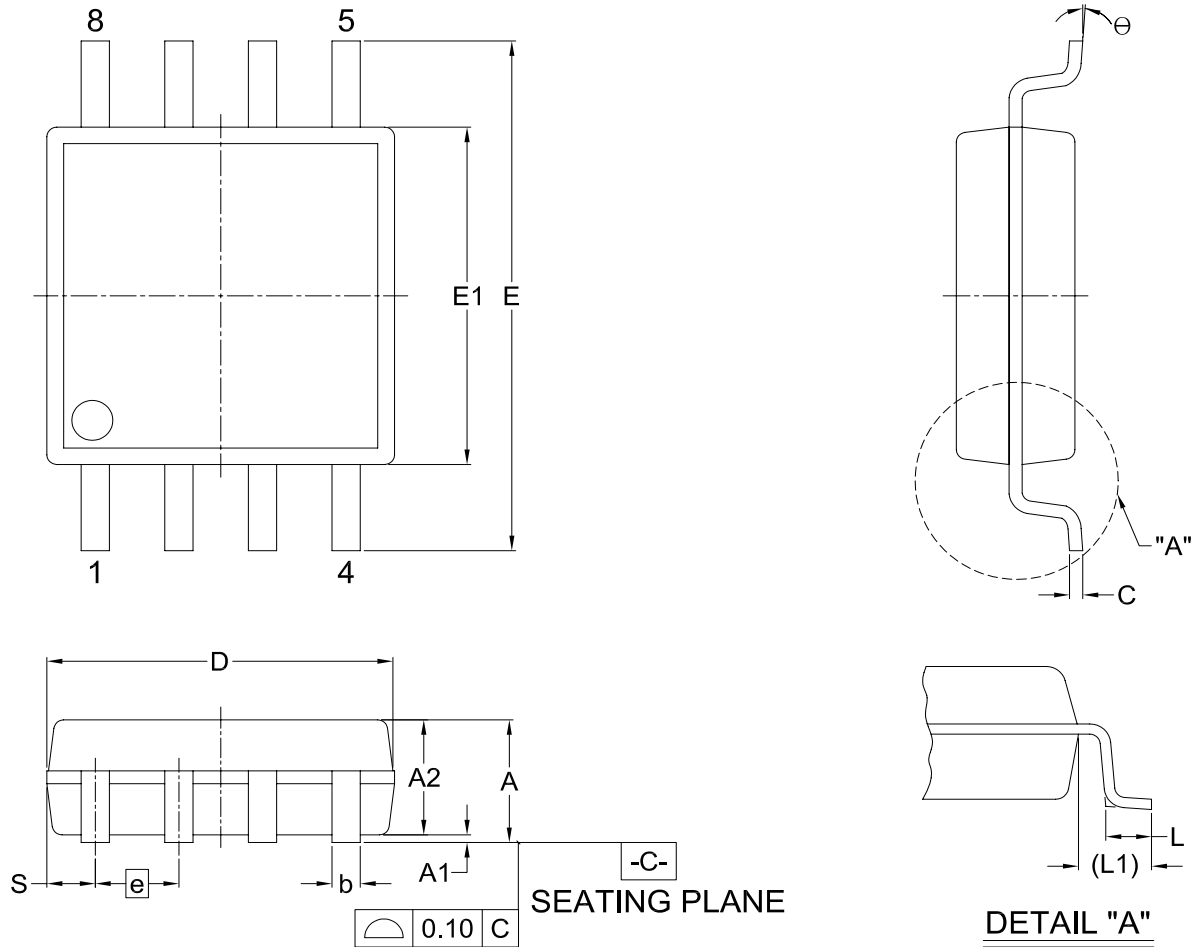


Dimensions (inch dimensions are derived from the original mm dimensions)

| SYMBOL | | A | A1 | A2 | b | C | D | E | E1 | e | L | L1 | S | θ |
|--------|------|-------|-------|-------|-------|-------|-------|-------|-------|-------|-------|-------|-------|---|
| mm | Min. | --- | 0.10 | 2.34 | 0.36 | 0.20 | 10.10 | 10.10 | 7.42 | --- | 0.40 | 1.31 | 0.51 | 0 |
| | Nom. | --- | 0.20 | 2.39 | 0.41 | 0.25 | 10.30 | 10.30 | 7.52 | 1.27 | 0.84 | 1.44 | 0.64 | 5 |
| | Max. | 2.65 | 0.30 | 2.44 | 0.51 | 0.30 | 10.50 | 10.50 | 7.60 | --- | 1.27 | 1.57 | 0.77 | 8 |
| Inch | Min. | --- | 0.004 | 0.092 | 0.014 | 0.008 | 0.397 | 0.397 | 0.292 | --- | 0.016 | 0.052 | 0.020 | 0 |
| | Nom. | --- | 0.008 | 0.094 | 0.016 | 0.010 | 0.405 | 0.405 | 0.296 | 0.050 | 0.033 | 0.057 | 0.025 | 5 |
| | Max. | 0.104 | 0.012 | 0.096 | 0.020 | 0.012 | 0.413 | 0.413 | 0.299 | --- | 0.050 | 0.062 | 0.030 | 8 |

| Dwg. No. | Revision | Reference | | |
|-----------|----------|-----------|------|--|
| | | JEDEC | EIAJ | |
| 6110-1402 | 10 | MS-013 | | |

Doc. Title: Package Outline for SOP 8L 200MIL (official name - 209MIL)

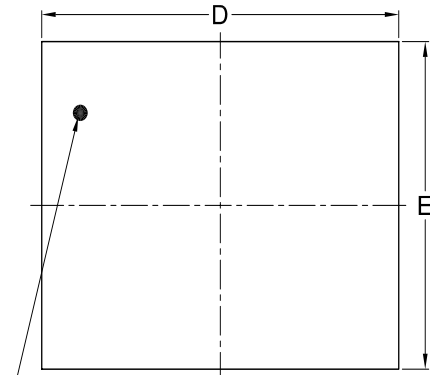


Dimensions (inch dimensions are derived from the original mm dimensions)

| SYMBOL | | A | A1 | A2 | b | C | D | E | E1 | e | L | L1 | S | θ |
|--------|------|-------|-------|-------|-------|-------|-------|-------|-------|-------|-------|-------|-------|---|
| mm | Min. | 1.75 | 0.05 | 1.70 | 0.36 | 0.19 | 5.13 | 7.70 | 5.18 | -- | 0.50 | 1.21 | 0.62 | 0 |
| | Nom. | 1.95 | 0.15 | 1.80 | 0.41 | 0.20 | 5.23 | 7.90 | 5.28 | 1.27 | 0.65 | 1.31 | 0.74 | 5 |
| | Max. | 2.16 | 0.20 | 1.91 | 0.51 | 0.25 | 5.33 | 8.10 | 5.38 | -- | 0.80 | 1.41 | 0.88 | 8 |
| Inch | Min. | 0.069 | 0.002 | 0.067 | 0.014 | 0.007 | 0.202 | 0.303 | 0.204 | -- | 0.020 | 0.048 | 0.024 | 0 |
| | Nom. | 0.077 | 0.006 | 0.071 | 0.016 | 0.008 | 0.206 | 0.311 | 0.208 | 0.050 | 0.026 | 0.052 | 0.029 | 5 |
| | Max. | 0.085 | 0.008 | 0.075 | 0.020 | 0.010 | 0.210 | 0.319 | 0.212 | -- | 0.031 | 0.056 | 0.035 | 8 |

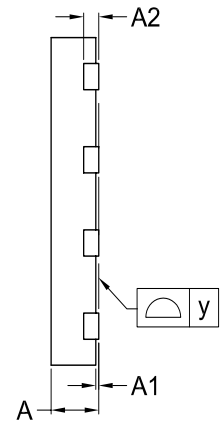
| Dwg. No. | Revision | Reference | | |
|-----------|----------|-----------|------|--|
| | | JEDEC | EIAJ | |
| 6110-1406 | 4 | | | |

Doc. Title: Package Outline for WSON 8L (6x5x0.8MM, LEAD PITCH 1.27MM)

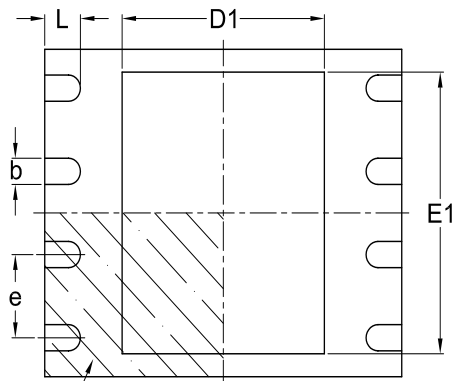


LASER MARK FOR PIN 1
IDENTIFICATION IN THIS AREA

TOP VIEW



SIDE VIEW



PIN 1 INDEX AREA

BOTTOM VIEW

Note:

This package has an exposed metal pad underneath the package. It is recommended to leave the metal pad floating or to connect it to the same ground as the GND pin of the package. Do not connect the metal pad to any other voltage or signal line on the PCB. Avoid placing vias or traces underneath the metal pad. Connection of this metal pad to any other voltage or signal line can result in shorts and/or electrical malfunction of the device.

Dimensions (inch dimensions are derived from the original mm dimensions)

| SYMBOL | | A | A1 | A2 | b | D | D1 | E | E1 | L | e | y |
|--------|------|-------|-------|-------|-------|-------|-------|-------|-------|-------|------|-------|
| UNIT | | | | | | | | | | | | |
| mm | Min. | 0.70 | -- | -- | 0.35 | 5.90 | 3.30 | 4.90 | 3.90 | 0.50 | -- | 0.00 |
| | Nom. | -- | -- | 0.20 | 0.40 | 6.00 | 3.40 | 5.00 | 4.00 | 0.60 | 1.27 | -- |
| | Max. | 0.80 | 0.05 | -- | 0.48 | 6.10 | 3.50 | 5.10 | 4.10 | 0.75 | -- | 0.08 |
| Inch | Min. | 0.028 | -- | -- | 0.014 | 0.232 | 0.129 | 0.193 | 0.154 | 0.020 | -- | 0.00 |
| | Nom. | -- | -- | 0.008 | 0.016 | 0.236 | 0.134 | 0.197 | 0.157 | 0.024 | 0.05 | -- |
| | Max. | 0.032 | 0.002 | -- | 0.019 | 0.240 | 0.138 | 0.201 | 0.161 | 0.030 | -- | 0.003 |

| Dwg. No. | Revision | Reference | | | |
|-----------|----------|-----------|------|--|--|
| | | JEDEC | EIAJ | | |
| 6110-3401 | 6 | MO-220 | | | |

21. REVISION HISTORY

| Revision No. | Description | Page | Date |
|---------------------|---|------------------|-------------|
| 0.00 | 1. Initial released | All | DEC/09/2011 |
| 0.01 | 1. Modified Byte Page time from 9us (typ.) to 12us (typ.) | P4,69,75 | DEC/23/2011 |
| | 2. Modified Sector Erase time (4KB) from 200ms (max.) to 300ms (max.) | P69,75 | |
| | 3. Modified Program, Erase current from 20mA (max.) to 25mA (max.) | P4,67 | |
| | 4. Added or modify 1 x I/O Read current from 35mA(max.) to 19mA(max.) @104MHz. | P4,67 | |
| | 5. Added description, execute WREN is required before WRSCUR. | P18,24 | |
| | 6. Updated WRSR wave form that add "Configuration Register In" | P24 | |
| 0.02 | 1. Modified TCLQV to 6ns(max.) in 2 I/O & 4 I/O modes (for both 15pF & 10pF Loading) | P68 | JAN/19/2012 |
| 0.03 | 1. Removed FREAD function. | P15,33,68 | FEB/03/2012 |
| | 2. Added DC (Dummy Cycle) configuration register that Dummy clock cycles are configurable for 4 I/O read operation. | P15,23,32-34, 89 | |
| | 3. Modified Additional Feature table to Read Performance table. | P6 | |
| 0.04 | 1. Modified Package Code from "Z3" to "ZN" without any physical change. | P81,82 | MAR/12/2012 |
| | 2. Added 300 mil 16-SOP package | P5,7,81,82 | |
| | 3. Added SFDP content | P63~68, 73 | |
| 0.05 | 1. Changed Quad I/O Page Program clock rate as 104MHz | P41,73 | MAR/29/2012 |
| | 2. Changed ISB1 to 80uA (max.), ISB2 to 40uA (max.) | P4,72 | |
| 0.06 | 1. Clock Frequency for 2READ/DREAD/4READ/QREAD are all 86MHz | P73 | APR/19/2012 |
| 1.0 | 1. Removed "Advanced Information" & Pre-Released MX25L3235EM2I-10G | P4,81 | MAY/07/2012 |
| 1.1 | 1. Removed "Advanced Information" & Pre-Released MX25L3235EMI-10G & MX25L3235EZNI-10G | P81 | JUN/18/2012 |
| | 2. Modified tSLCH, tCHSL, tCHDX, tCHSH and tSHCH | P73 | |
| | 3. Modified SFDP wording | P63~68 | |
| 1.2 | 1. Modified tSLCH, tCHSL, tCHDX, tCHSH and tSHCH | P73 | SEP/24/2012 |
| 1.3 | 1. Modified Page Program Time tPP(Max.) | P4,74,80 | APR/25/2013 |
| 1.4 | 1. Modified Absolute Maximum Ratings, Capacitance | P70 | OCT/03/2013 |
| 1.5 | 1. Updated parameters for DC/AC Characteristics | P4,72,74 | NOV/06/2013 |
| | 2. Updated Erase and Programming Performance | P4,80 | |
| 1.6 | 1. Updated Continuous Program mode (CP mode) & waveform | P44,45 | JUN/27/2014 |



MACRONIX
INTERNATIONAL Co., LTD.

MX25L3235E

Except for customized products which have been expressly identified in the applicable agreement, Macronix's products are designed, developed, and/or manufactured for ordinary business, industrial, personal, and/or household applications only, and not for use in any applications which may, directly or indirectly, cause death, personal injury, or severe property damages. In the event Macronix products are used in contradicted to their target usage above, the buyer shall take any and all actions to ensure said Macronix's product qualified for its actual use in accordance with the applicable laws and regulations; and Macronix as well as it's suppliers and/or distributors shall be released from any and all liability arisen therefrom.

Copyright© Macronix International Co., Ltd. 2011~2014. All rights reserved, including the trademarks and tradename thereof, such as Macronix, MXIC, MXIC Logo, MX Logo, Integrated Solutions Provider, NBit, Nbit, NBiit, Macronix NBit, eLiteFlash, HybridNVM, HybridFlash, XtraROM, Phines, KH Logo, BE-SONOS, KSMC, Kingtech, MXSMIO, Macronix vEE, Macronix MAP, Rich Audio, Rich Book, Rich TV, and FitCAM. The names and brands of third party referred thereto (if any) are for identification purposes only.

For the contact and order information, please visit Macronix's Web site at: <http://www.macronix.com>

MACRONIX INTERNATIONAL CO., LTD. reserves the right to change product and specifications without notice.
