

## Frame Han 24HPR enlarged-Mod-A-H

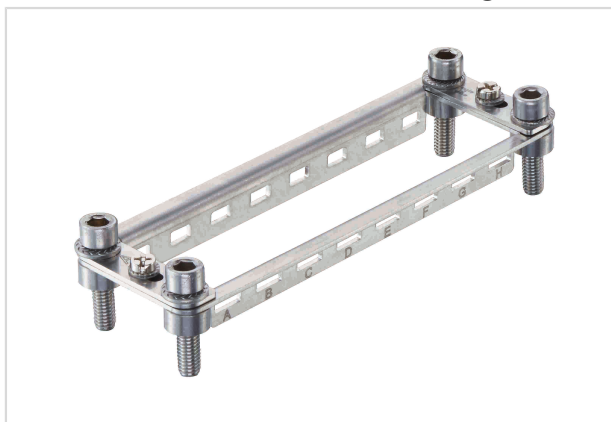


Image is for illustration purposes only. Please refer to product description.

Part number	09 11 000 9935
Specification	Frame Han 24HPR enlarged-Mod-A-H
HARTING eCatalogue	<a href="https://b2b.harting.com/09110009935">https://b2b.harting.com/09110009935</a>

### Identification

Category	Accessories
Series of hoods/housings	Han <sup>®</sup> HPR enlarged
Type of accessory	Frame
Description of the accessory	for up to 8 single modules A ... H

### Version

Size	24 B
Pack contents	2x M4 screw 2x washer SK S4 4x cheese-head screw M6 x 20 4x cheese-head screw M6 x 30 4x washer SK S6

### Technical characteristics

Tightening torque	1.5 Nm Fixing screws M4 10 Nm Fixing screws M6
-------------------	---

### Material properties

Material (accessories)	Stainless steel
RoHS	compliant
ELV status	compliant
China RoHS	e
REACH Annex XVII substances	Not contained
REACH ANNEX XIV substances	Not contained



**Pushing Performance**  
Since 1945

## Material properties

REACH SVHC substances	Not contained
California Proposition 65 substances	Yes
California Proposition 65 substances	Nickel

## Commercial data

Packaging size	1
Net weight	139.7 g
Country of origin	Germany
European customs tariff number	85389099
eCl@ss	27440210 Fixing element for industrial connectors