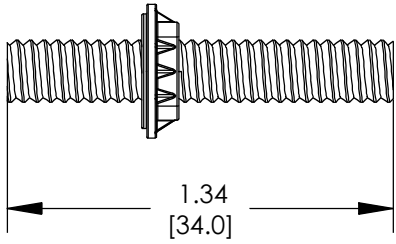
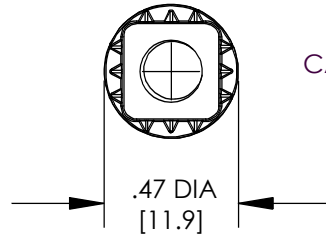


THIS COPY IS PROVIDED ON A RESTRICTED BASIS AND IS NOT TO BE USED IN ANY WAY DETRIMENTAL TO THE INTERESTS OF PANDUIT CORP.

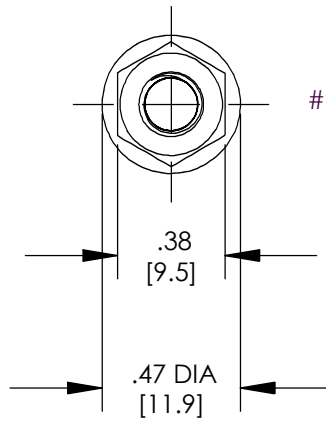


CAGE NUT BONDING STUD (QTY. 25)

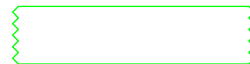


NOTES:

1. CAGE NUT BONDING STUD KIT
PART NUMBER: CGNBSK
2. PACKAGING: 4 KITS PER BOX
3. DIMENSIONS IN PARENTHESIS ARE MILLIMETERS.
4. ALL COMPONENTS THAT MAKE UP THIS KIT ARE RoHS COMPLIANT.



#12-24 BONDING NUT (QTY. 50)



5cc TUBE ANTI-OXIDANT PASTE (QTY. 1)

C41698_00

PANDUIT CORP. TINLEY PARK, ILLINOIS

CAGE NUT BONDING STUD KIT
(CGNBSK)
CUSTOMER DRAWING

REV	DATE	BY	CHK	DESCRIPTION	ECN	PM	CUST	DRAWN BY	CHK'D	SCALE	DRAWING NO / CAD FILE
00	2/07	JHNU	JMAR	DRAWING RELEASED	PC00674			JHNU		NONE	C41698