

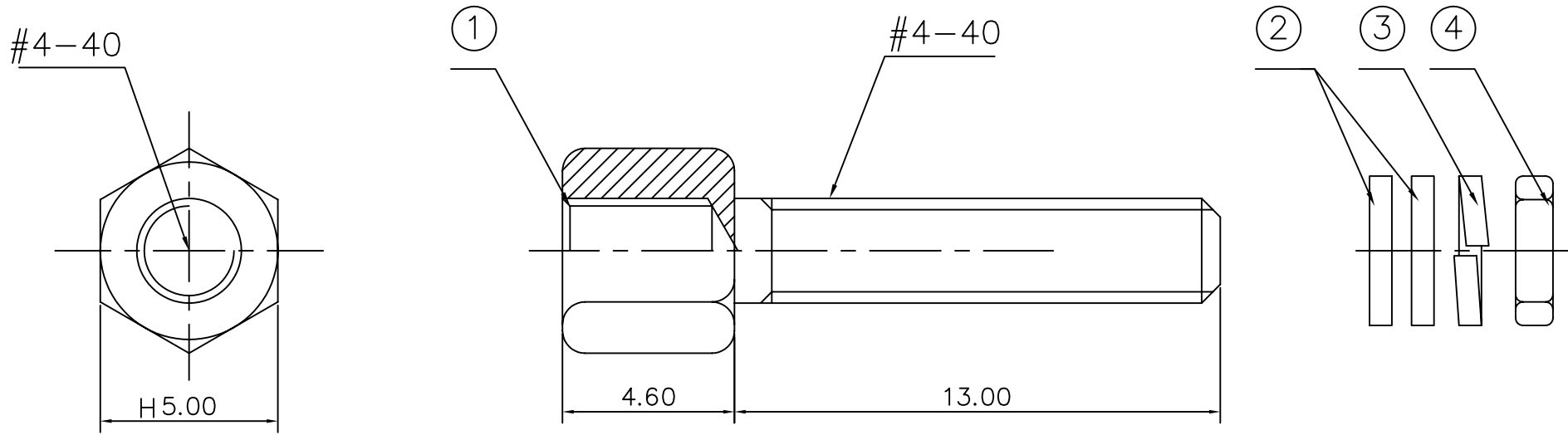
A

B

C

D

E



NOTES:

1. Material:
 - ① 10 SCREWS STEEL
 - ② 20 WASHERS STEEL
 - ③ 10 LOCK WASHERS STEEL
 - ④ 10 NUTS STEEL
2. Finish :Bright Tinned plating. over nickel.
3. 1P/N= 10 Lockings
locking are necessary for one connector
4. Marking:
Amphenol L17D
Made in China
P/N: L17D204182LEX



Amphenol Socapex		TOL. GEN.: +/-0.30													
		VOLUME:													
		AREA:													
		PLATING:													
SERIES		TREATMENT:													
NUMBER SERIES		MATERIAL:													
Screw		FILE:	CUSTOMER	MODIFICATIONS	DRAW	DATE	APPROVE	IND.							
DATE	2007.07.20	DESIGNATION	INTERNAL PART NUMBER		L17D204182LEX										
		HEX LOCKING SCREW													