

|                   |      |               |
|-------------------|------|---------------|
| CUSTOMER TERMINAL | RoHS | LEAD(Pb)-FREE |
| Sn96%, Ag4%       | Yes  | Yes           |

more than you expect



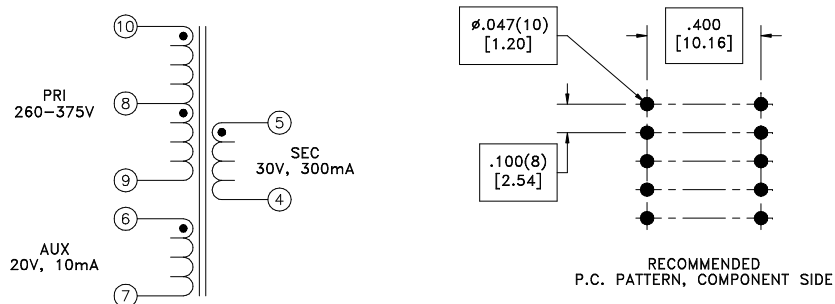
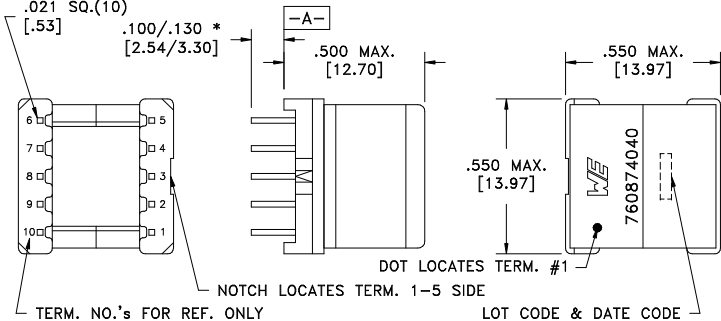
ELECTRICAL SPECIFICATIONS @ 25°C unless otherwise noted:

| PARAMETER          | TEST CONDITIONS                    | VALUE               |
|--------------------|------------------------------------|---------------------|
| D.C. RESISTANCE    | 4-5 @20°C                          | 0.135 ohms ±10%     |
| D.C. RESISTANCE    | 6-7 @20°C                          | 1.42 ohms ±10%      |
| D.C. RESISTANCE    | 9-10 @20°C                         | 2.95 ohms ±10%      |
| INDUCTANCE         | 10kHz, 100mVAC, Ls                 | 1.21mH ±10%         |
| SATURATION CURRENT | 20% rolloff from initial           | 500mA               |
| LEAKAGE INDUCTANCE | tie(6+7, 4+5), 100kHz, 100mVAC, Ls | 8uH typ., 15uH max. |
| DIELECTRIC         | tie(6+9), 1500VAC, 1 second        | -                   |
| URNS RATIO         | (10-9):(5-4)                       | 3.235:1, ±1%        |
| URNS RATIO         | (10-9):(6-7)                       | 5:1, ±1%            |

GENERAL SPECIFICATIONS:

Designed for Functional Insulation.

PART MUST INSERT FULLY TO SURFACE A IN RECOMMENDED GRID \* DIMENSION MAY BE EXCEEDED WITH SOLDER ONLY



Wire insulation & RoHS status not affected by wire color.  
Wire insulation color may vary depending on availability.

|      |      |                                                                                  |                      |                                                                                                                                  |                                     |                              |
|------|------|----------------------------------------------------------------------------------|----------------------|----------------------------------------------------------------------------------------------------------------------------------|-------------------------------------|------------------------------|
| REV. | DATE | Packaging Specifications<br>Method: Tray<br>PKG-0318<br>www.we-online.com/midcom |                      | Tolerances unless otherwise specified:<br>Angles: ±1°      Decimals: ±.005 [.13]<br>Fractions: ±1/64      Footprint: ±.001 [.03] | DRAWING TITLE<br><b>TRANSFORMER</b> | PART NO.<br><b>760874040</b> |
| 6A   | 6/11 | SEE REVISION SHEET FOR REVISION LEVEL                                            | CONVENTION PLACEMENT | This drawing is dual dimensioned. Dimensions in brackets are in millimeters.                                                     | eiSos p/n: 760874040                | SPECIFICATION SHEET 1 OF 1   |