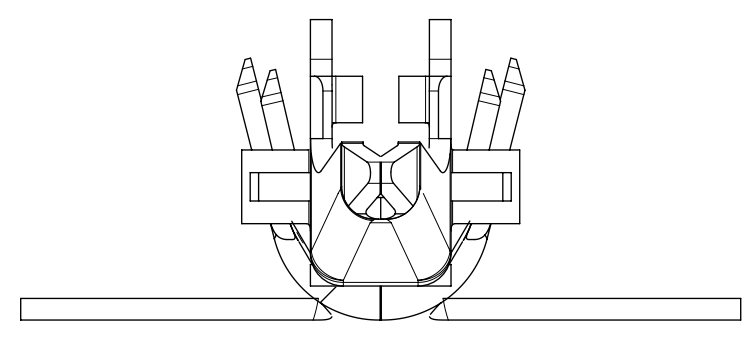
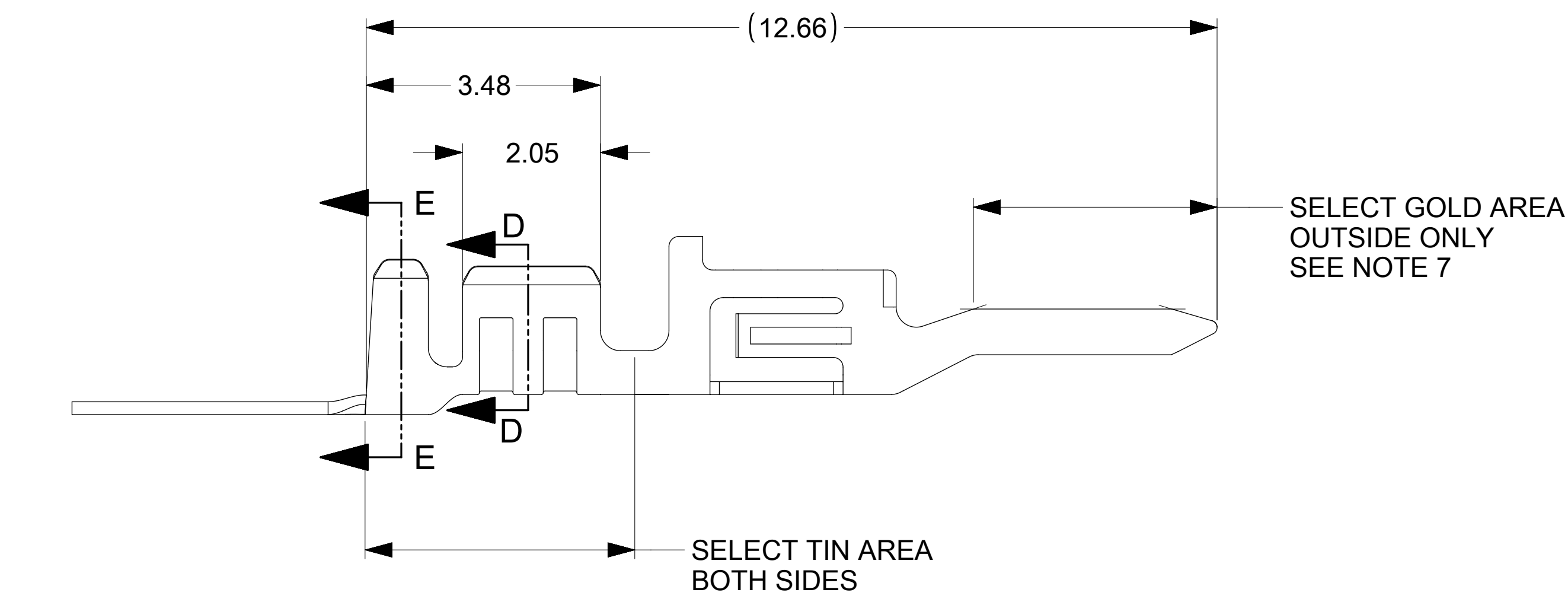
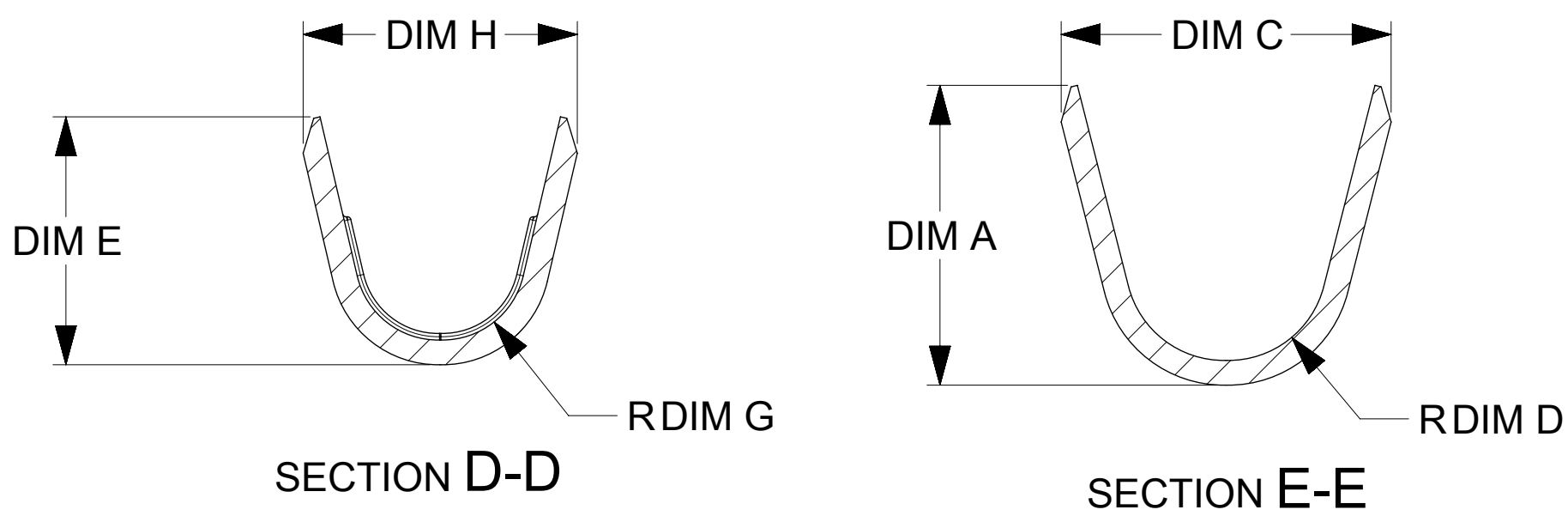
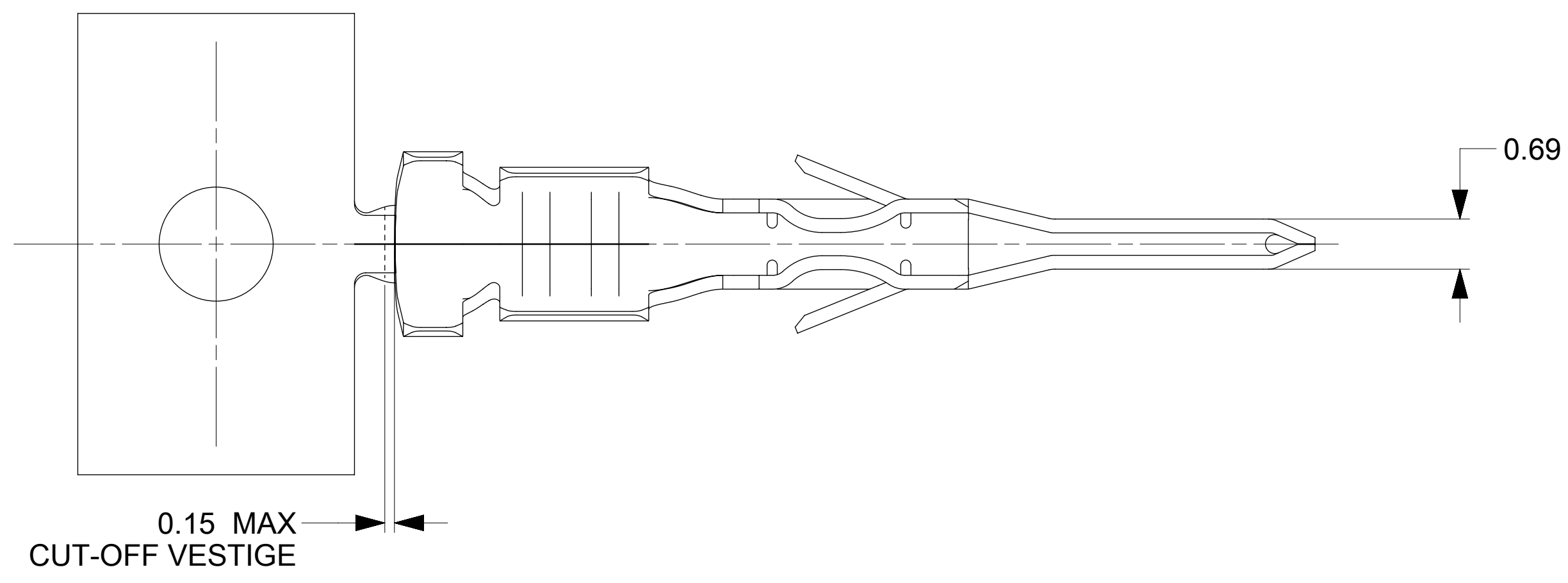


PART NUMBER	PLATING OPTION	WIRE SIZE	ASSEMBLY OPTION	DIM A	DIM C	DIM D	DIM E	DIM G	DIM H
430315003	A	20-24	CHAIN	2.31	2.51	0.76	1.91	0.64	2.08
430315004	B	20-24	CHAIN	2.31	2.51	0.76	1.91	0.64	2.08
430315005	C	20-24	CHAIN	2.31	2.51	0.76	1.91	0.64	2.08
430315006	D	20-24	CHAIN	2.31	2.51	0.76	1.91	0.64	2.08
430315007	A	26-30	CHAIN	1.91	2.1	0.64	1.47	0.51	1.65
430315008	B	26-30	CHAIN	1.91	2.1	0.64	1.47	0.51	1.65
430315009	C	26-30	CHAIN	1.91	2.1	0.64	1.47	0.51	1.65
430315010	D	26-30	CHAIN	1.91	2.1	0.64	1.47	0.51	1.65
430315013	A	20-24	LOOSE	2.31	2.51	0.76	1.91	0.64	2.08
430315014	B	20-24	LOOSE	2.31	2.51	0.76	1.91	0.64	2.08
430315015	C	20-24	LOOSE	2.31	2.51	0.76	1.91	0.64	2.08
430315016	D	20-24	LOOSE	2.31	2.51	0.76	1.91	0.64	2.08
430315017	A	26-30	LOOSE	1.91	2.1	0.64	1.47	0.51	1.65
430315018	B	26-30	LOOSE	1.91	2.1	0.64	1.47	0.51	1.65
430315019	C	26-30	LOOSE	1.91	2.1	0.64	1.47	0.51	1.65
430315020	D	26-30	LOOSE	1.91	2.1	0.64	1.47	0.51	1.65

**NOTES:**

- MATERIAL: PHOSPHER BRONZE ALLOY
- FINISH:
  - "A" - PREPLATED TIN 1µm - 2.5µm
  - "B" - 0.38µm MIN SELECTIVE GOLD OVER 2.5µm MIN SELECTIVE TIN OVER 1.27µm OVERALL NICKEL
  - "C" - 0.76µm MIN SELECTIVE GOLD OVER 2.5µm MIN SELECTIVE TIN OVER 1.27µm OVERALL NICKEL
  - "D" - 2.5µm MIN MATTE TIN OVER 1.27µm OVERALL NICKEL
- PRODUCT SPECIFICATION: PS-43045, PS-43650, PS-44300-001
- PACKAGING SPECIFICATION: FOR REELED SEE PK-43031-001; FOR LOOSE SEE PK-43030-003
- TERMINAL FOR USE IN PLUG HOUSING SERIES 200875.
- FOR TERMINAL ORIENTATION IN HOUSING SEE DRAWING 2008750000-SD.
- SOME GOLD MAY BE PRESENT ON INSIDE SURFACE.

AWG	MAX INSULATION OD
20-24	1.85
26-30	1.27



<b>QUALITY SYMBOLS</b> 	THIS DRAWING CONTAINS INFORMATION THAT IS PROPRIETARY TO MOLEX ELECTRONIC TECHNOLOGIES, LLC AND SHOULD NOT BE USED WITHOUT WRITTEN PERMISSION				<b>molex</b>  MICRO-FIT TPA MALE CRIMP TERMINAL	
	GENERAL TOLERANCES (UNLESS SPECIFIED) DIMENSION UNITS: MM SCALE: 15:1		DRWN BY: TGREGORI DATE: 2017/01/06			
	ANGULAR TOL ± ° 4 PLACES ± 3 PLACES ± 2 PLACES ± 0.25 1 PLACE ± 0.35 0 PLACES ±		CHKD BY: TGREGORI DATE: 2017/01/27		PRODUCT CUSTOMER DRAWING	
	DRAFT WHERE APPLICABLE MUST REMAIN WITHIN DIMENSIONS		APPR BY: RHODGE DATE: 2017/02/24		SERIES: 43031	MATERIAL NUMBER: SEE TABLE
EC NO: 112887 DRWN: TGREGORI CHKD: RHODGE REV: APPR:		DIMENSION UNITS: MM SCALE: 15:1 DRAWING SIZE: D THIRD ANGLE PROJECTION		DOCUMENT NUMBER: 430310000-SD	DOC TYPE: PSD	DOC PART: 000 SHEET NUMBER: 1 OF 1