

MICRO SWITCH
A DIVISION OF MINNEAPOLIS HONEYWELL REGULATORY COMPANY
FREEPORT, ILLINOIS

FED. MFR. CODE 91929

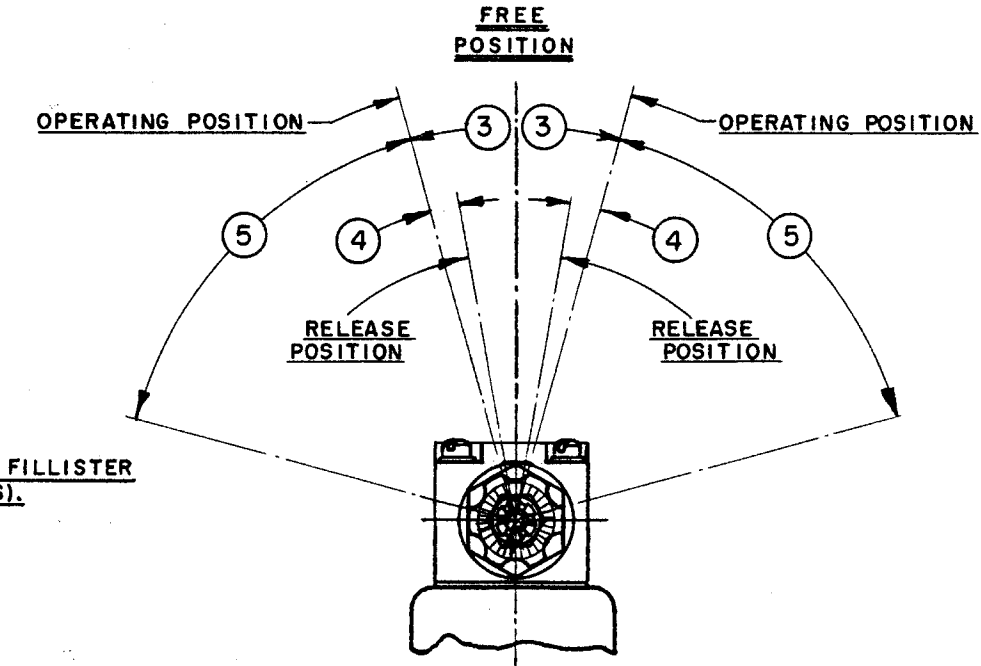
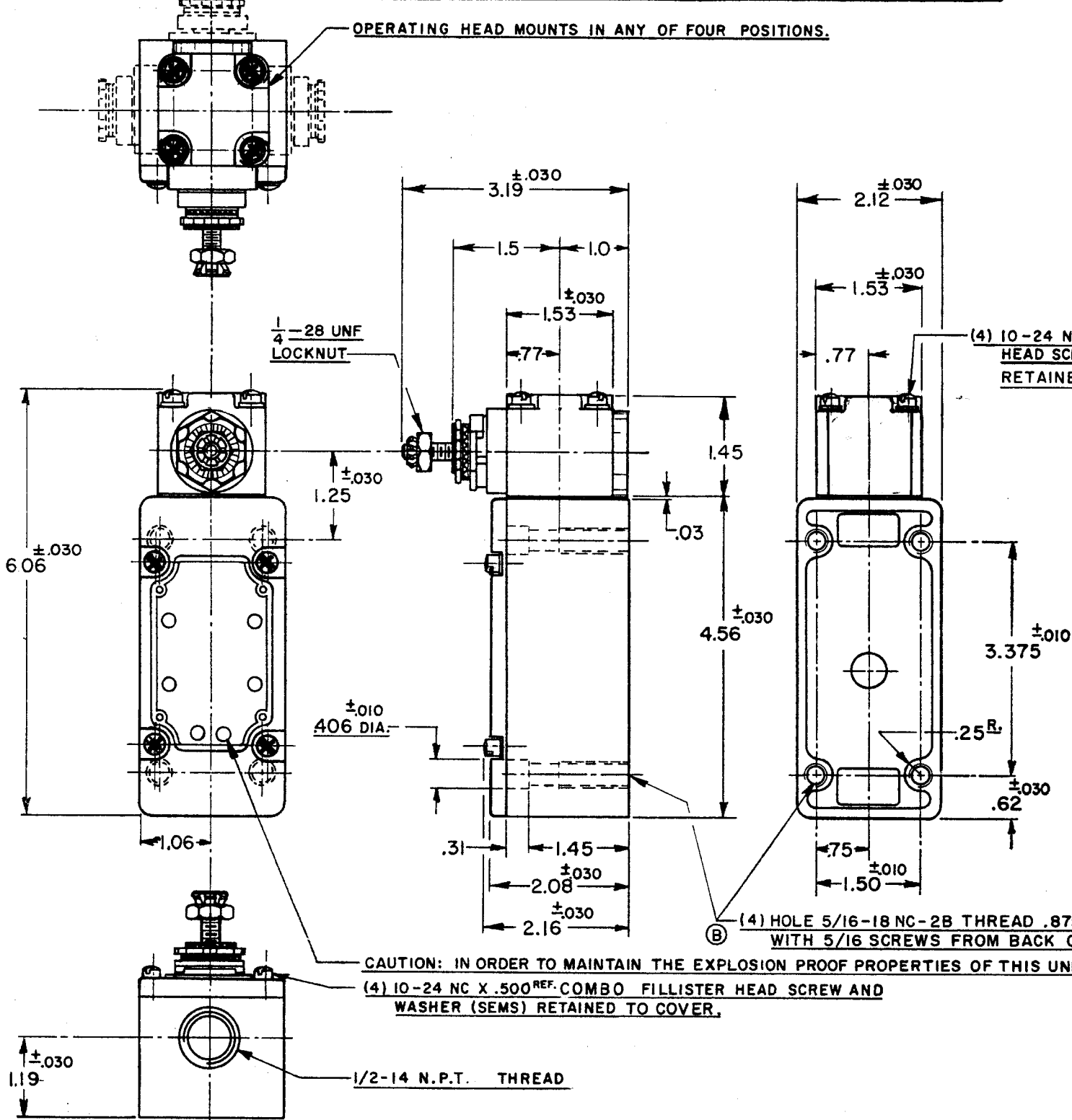
SWITCH—ENCLOSED

CATALOG LISTING
51ML2-E1

THIS DRAWING COVERS A PROPRIETARY ITEM AND IS THE PROPERTY OF MICRO SWITCH, A DIVISION OF HONEYWELL. THIS DRAWING IS NOT TO BE COPIED OR USED WITHOUT THE APPROVAL OF MICRO SWITCH.



51ML2-E1
 DRAWING NUMBER
 M
 2
 11
 REVISIONS
 A CO10928 R.E.R. 8 NOV. 58
 B CO11247 O.M.W. 6 MAR 58
 C CO12789 M.B.F. 14 MAY 58
 D CO13487 M.B.F. 10 MAR 59
 E CO24575 M.B.F. 10 SEP 68
 F CO52194 G.J.W. 22 SEP 83
 G CO58367 J.A.S. 11 NOV 85
 H CO55051-C T.A.D. 6 JAN 86
 J CO63739 D.J. 15 JUN 88
 K CO74287 G.J.W. 15 APR 93
 H.A.P. 12 DEC. 55
 74-36.3



NOTES

1 - IT IS ESSENTIAL THAT THE CONDUIT OPENING BE PROPERLY SEALED IN ORDER TO MAINTAIN THE EXPLOSION PROOF PROPERTIES SWITCH IS ASSEMBLED FOR ACTUATION IN EITHER DIRECTION

2 - LISTED BY UNDERWRITERS LABORATORY, INC. FOR USE IN CLASS I, GROUPS C AND D VAPOR-AIR ATMOSPHERE, AND CLASS 2 GROUPS E, F AND G DUST-AIR ATMOSPHERES

3 - TO CONVERT SWITCH FOR ACTUATION IN EITHER CLOCKWISE OR COUNTER-CLOCKWISE DIRECTION ONLY, REMOVE THE HEAD AND SLIDE THE CAM TOWARD THE REAR OF THE HEAD SUFFICIENTLY TO DISENGAGE FROM THE FLATS ON THE SHAFT. ROTATE THE CAM 90° IN THE OPPOSITE DIRECTION OF THE ACTUATION DESIRED AND RE-ENGAGE THE CAM WITH THE FLATS ON THE SHAFT

4 - SHAFT MAY BE ADJUSTED TO ACTUATE THE SWITCH IN THE CLOCKWISE DIRECTION ONLY, THE COUNTER-CLOCKWISE DIRECTION OR IN BOTH DIRECTIONS

CHARACTERISTICS	ELECTRICAL DATA	SCALE 1/2 TO 1
OPERATING TORQUE---3 9/16 LB.-IN. MAX.	CONTACT ARRANGEMENT	DO NOT SCALE PRINT
FULL OVERTRAVEL TORQUE---5 3/8 LB.-IN. MAX.	S. P. D. T.	UNLESS OTHERWISE SPECIFIED
RELEASE TORQUE-----7/16 LB.-IN. MIN.		DIMENSIONS ARE IN INCHES
PRETRAVEL-----3 12° MAX.		TOLERANCES ARE:
DIFFERENTIAL TRAVEL---4 4° MAX.		ONE PLACE (.0) ±.030
OVERTRAVEL-----5 60° MIN.		TWO PLACE (.00) ±.018
		THREE PLACE (.000) ±.008
		ANGLES ±
SWITCH-BASIC REPLACEMENT-----IMK1		WEIGHT

20 A-120, 240 OR 480 VAC; 3/4 H.P.-120 VAC
 1 1/2 HP-240 VAC; 1/2 A-115 VDC; 1/4 A-230 VDC
 PILOT DUTY: 720VA-HEAVY DUTY
 600 VAC MAX

