

THIS IS ISSUED IN STRICT CONFIDENCE THAT IT IS NOT USED AS A BASIS FOR MANUFACTURE OR SALE AND THAT IT IS NOT COPIED, REPRINTED OR DISCLOSED TO A THIRD PARTY EITHER WHOLLY OR IN PART WITHOUT THE PRIOR WRITTEN CONSENT OF CAL TEST ELECTRONICS, INC.

- 4mm SAFETY BANANA JACK w/ ϕ .075 (ϕ 1.9) x .82 (20.8) PIN.
- SPECIFICATIONS:
INSULATOR: POLYAMIDE (NYLON).
CONTACT: BRASS, NICKEL PLATED
LOCKING NUT: BRASS, NICKEL PLATED
- RATING:
VOLTAGE: 1,000 V CAT III/600 V CAT IV P2 (IEC61010-031)

CURRENT: 36 A MAX.
RESISTANCE: <12 m.
TEMPERATURE: -20° C TO +80° C.
- MOUNTING HOLE: REF. DIAGRAM.
- INSULATOR THREAD, M12 X 0.75. MAX. TORQUE 1.7 ft-lb (2.3 Nm) @ 20° C.
- MAXIMUM PANEL THICKNESS: .40 (10).
- RECOMMENDED ASSEMBLY TOOL: CT2246A.

PART NUMBER

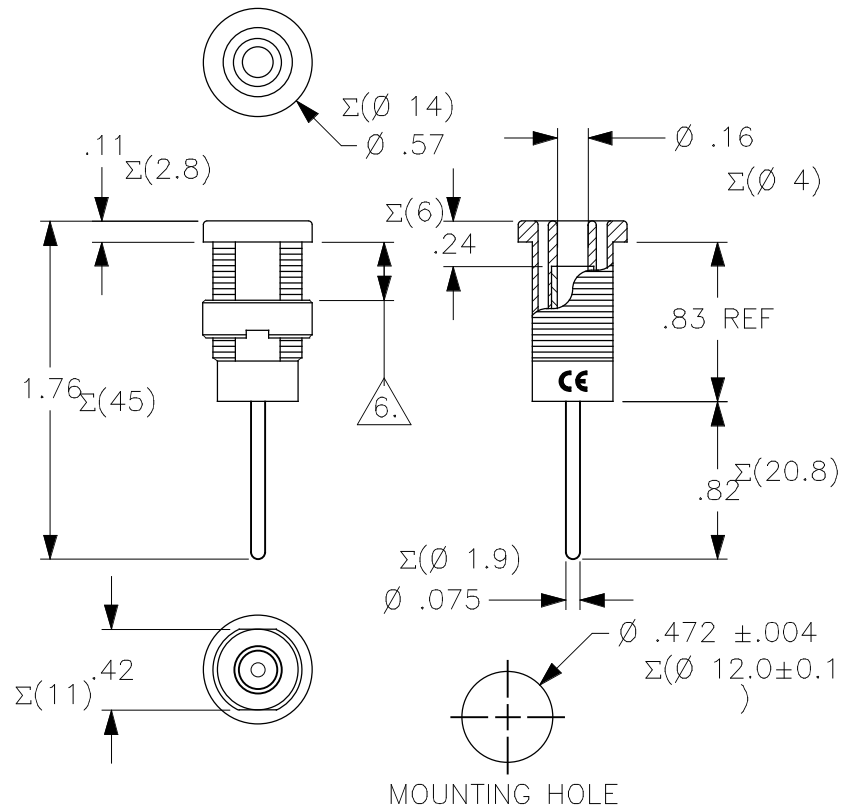
CT2906-#

- COLOR: 0 - BLACK
1 - BROWN
2 - RED
3 - ORANGE (SPECIAL)
4 - YELLOW
5 - GREEN
6 - BLUE
7 - PURPLE
8 - GRAY
9 - WHITE

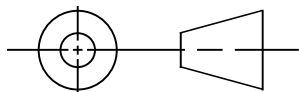
CONFORMITY TO RoHS 2002/95/EC

REVISIONS

REV.	DESCRIPTIONS	DATE	APPROVED
—	CLASS A RELEASED	7/12/99	
A	REVISED CONFIGURATION & MATL. MOUNTING HOLE. NEW TOOLING.	4/18/04	
B	COLOR ORANGE ADDED AS SPECIAL; REVISED NOTE 5 WITH NUT TORQUE SPECIFICATION.	6/2/09	



THIRD ANGLE PROJECTION



UNLESS OTHERWISE SPECIFIED DIMENSIONS ARE IN INCHES TOLERANCES ARE:
FRACTIONS DECIMALS
 $\pm 1/32$.XX \pm .02
.XXX \pm .005
DO NOT SCALE DRAWING

CONTRACT NO.

APPROVALS

DRAWN WDH

CHECKED

ENGR.

DESIGN ACTIVITY

DATE

7/12/99

Cal Test Electronics

22820 Savi Ranch Parkway
Yorba Linda, CA 92887-4610

TITLE

**4mm SAFETY JACK, PANEL
w/ ϕ .075x.82 PIN**

SIZE
A

CAGE CODE
43F45

DWG. NO.

P290600

REV.
B

SCALE 1:1

SHEET 1 OF 1

NEXT ASSY

USED ON

APPLICATION