

Features

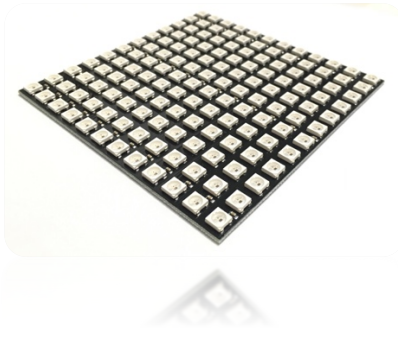
- 12 x 12 LED Matrix
- Single Line Data Transmission
- Specific Shaping Transmit Technology
- PWM Control
- Stackable Up to 4 Modules
- Easy to Use Plug and Play

Description

12 x 12 Digital LED Matrix is a compact, easy to use smart display. It is capable of displaying different language characters as well as many unique symbols. The INCM88001 is also stackable to make a larger matrix to showcase additional information.

Applications

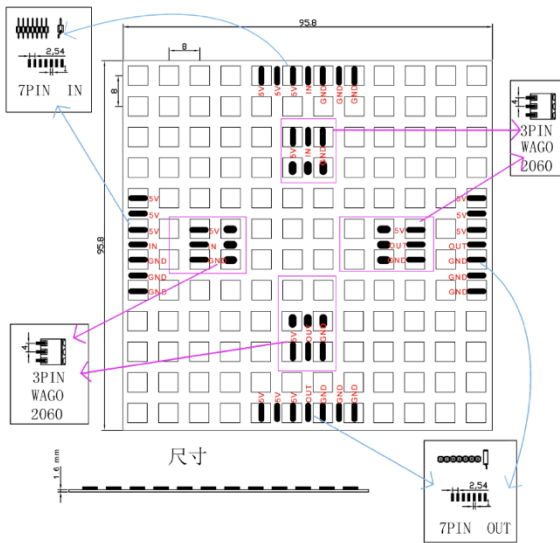
- Indoor Display
- Information Signage
- DIY Devices



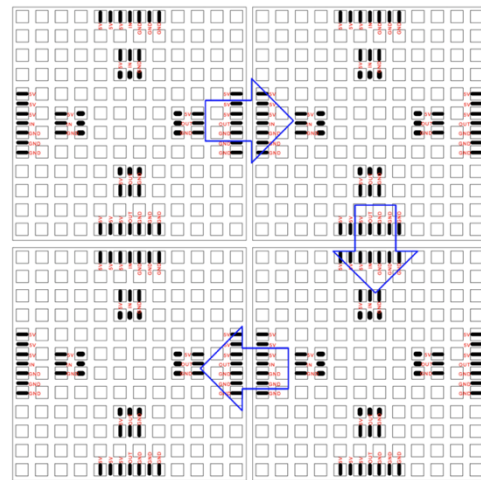
Key Specifications

| | |
|-----------------------|---|
| LED Component | Inolux IN-PI554FCH |
| LED Count | 144 |
| Board Material | FR4 |
| Color | Red / Green / Blue |
| Operating temperature | -45°C~+85°C |
| Dimension | 95.8 x 95.8 x 1.6 mm |
| Input voltage | DC 4.5 V~5.3 V |
| LED Pitch | 8.0 mm |
| Grey Scale Level | 256 |
| Data Transfer Rate | 800 Kbp/s at 30 frames per second |
| Compatible Connector | 3PIN WAGO 2060 P2.54mm 7Pin header / connector |

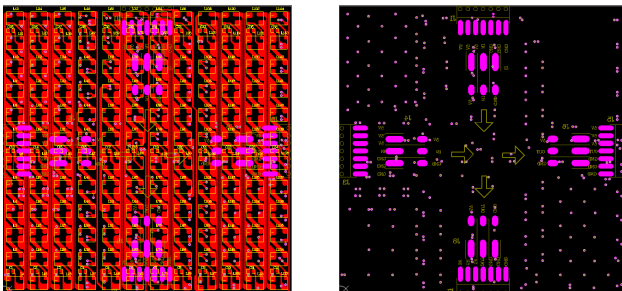
Dimensions



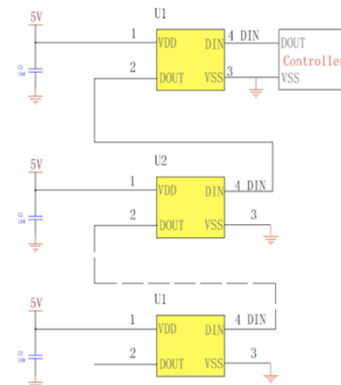
Stacking Method



Gerber Details (detail files available upon request)



LED Connection Scheme



*For further LED Controlling details, please refer to the IN-PI554FCH datasheet.