

Frequency Generator and Integrated Buffers for Celeron & PII/III™

ICS9250-27

Recommended Application:

810/810E and 815 type chipset.

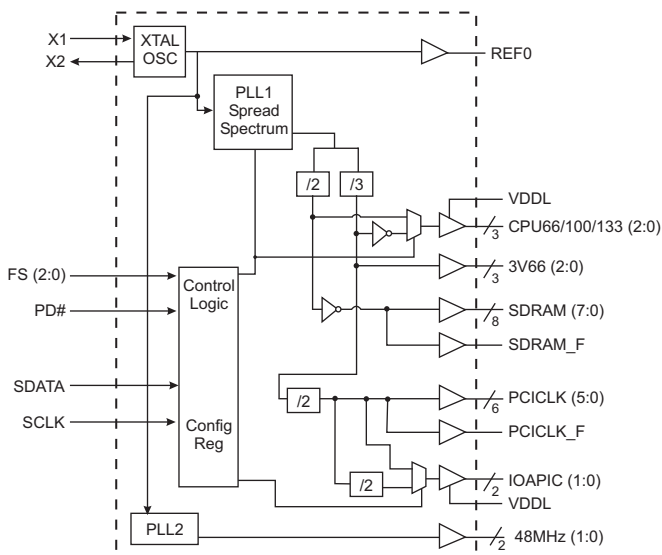
Output Features:

- 3 CPU (2.5V) (up to 133MHz achievable through I²C)
- 9 SDRAM (3.3V) (up to 133MHz achievable through I²C)
- 7 PCI (3.3 V) @ 33.3MHz
- 2 IOAPIC (2.5V) @ 33.3 MHz
- 3 Hublink clocks (3.3 V) @ 66.6 MHz
- 2 (3.3V) @ 48 MHz (Non spread spectrum)
- 1 REF (3.3V) @ 14.318 MHz

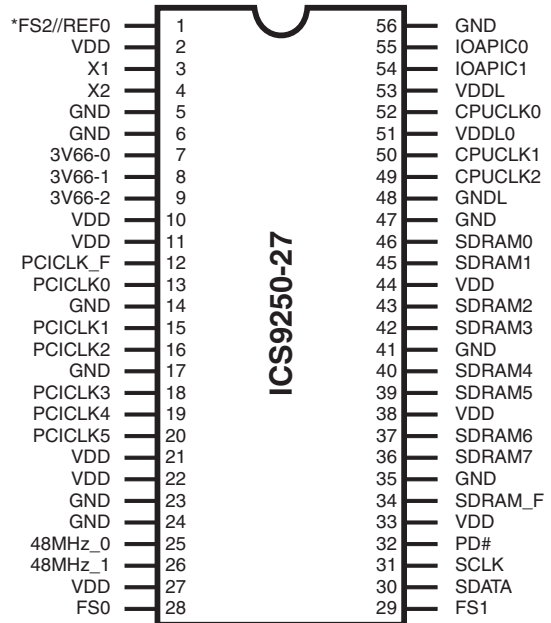
Features:

- Supports spread spectrum modulation, 0 to -0.5% down spread.
- I²C support for power management
- Efficient power management scheme through PD#
- Uses external 14.138 MHz crystal
- Alternate frequency selections available through I²C control.

Block Diagram



Pin Configuration



56-Pin 300mil SSOP

* This input has a 50KΩ pull-down to GND.

Functionality

| FS2 | FS1 | FS0 | Function |
|-----|-----|-----|---------------------------------------|
| X | 0 | 0 | Tristate |
| X | 0 | 1 | Test |
| 0 | 1 | 0 | Active CPU = 66MHz SDRAM = 100MHz |
| 0 | 1 | 1 | Active CPU = 100MHz SDRAM = 100MHz |
| 1 | 1 | 0 | Active CPU = 133MHz SDRAM = 133MHz |
| 1 | 1 | 1 | Active CPU = 133MHz SDRAM = 100MHz |

Power Groups

AVDD = Pin 22 Analog power for PLL
 AGND = Pin 23 Analog ground
 VDD48 = Pin 27 Analog power for 48MHz PLL
 GND = Pin 24 Analog ground for 48MHz PLL

General Description

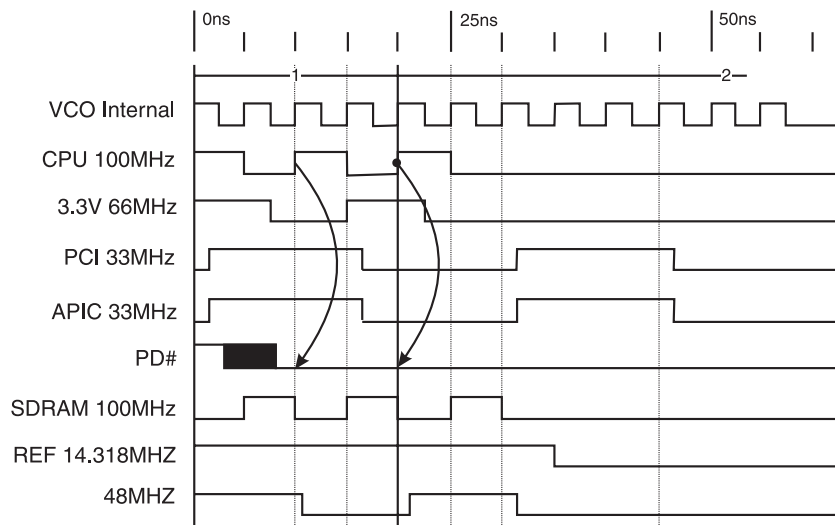
The **ICS9250-27** is a single chip clock solution for 810/810E and 815 type chipset. It provides all necessary clock signals for such a system.

Spread spectrum may be enabled through I²C programming. Spread spectrum typically reduces EMI by 8dB to 10 dB. This simplifies EMI qualification without resorting to board design iterations or costly shielding. The ICS9250-27 employs a proprietary closed loop design, which tightly controls the percentage of spreading over process and temperature variations.

Pin Description

| PIN NUMBER | PIN NAME | TYPE | DESCRIPTION |
|--|--------------|------|---|
| 1 | FS2 | IN | Function Select pin. Determines CPU frequency, all output functionality |
| | REF0 | OUT | 3.3V, 14.318MHz reference clock output. |
| 3 | X1 | IN | Crystal input, has internal load cap (33pF) and feedback resistor from X2 |
| 4 | X2 | OUT | Crystal output, nominally 14.318MHz. Has internal load cap (33pF) |
| 5, 6, 14, 17, 23, 24, 35, 41, 47, 48, 56 | GND | PWR | Ground pins for 3.3V supply |
| 9, 8, 7 | 3V66 (2:0) | OUT | 3.3V Fixed 66MHz clock outputs for HUB |
| 2, 10, 11, 21, 22, 27, 33, 38, 44 | VDD | PWR | 3.3V power supply |
| 12 | PCICLK_F | OUT | Free running 3.3V PCI clock output |
| 20, 19, 18, 16, 15, 13 | PCICLK (5:0) | OUT | 3.3V PCI clock outputs |
| 25 | 48MHz_0 | OUT | 3.3V Fixed 48MHz clock outputs for USB |
| 26 | 48MHz_1 | OUT | 3.3V fixed 48MHz clock output. Stronger output for graphics/video interface (minimum 1V/ns edge rate) |
| 29, 28 | FS (1:0) | IN | Function Select pins. Determines CPU frequency, all output functionality. Please refer to Functionality table on page 1 |
| 30 | SDATA | I/O | Data pin for I ² C circuitry 5V tolerant |
| 31 | SCLK | IN | Clock pin of I ² C circuitry 5V tolerant |
| 32 | PD# | IN | Asynchronous active low input pin used to power down the device into a low power state. The internal clocks are disabled and the VCO and the crystal are stopped. The latency of the power down will not be greater than 3ms. |
| 36, 37, 39, 40, 42, 43, 45, 46 | SDRAM (7:0) | OUT | 3.3V output running 100MHz. All SDRAM outputs can be turned off through I ² C |
| 34 | SDRAM_F | OUT | 3.3V free running 100MHz SDRAM, cannot be turned off through I ² C |
| 49, 50, 52 | CPUCLK (2:0) | OUT | 2.5V Host bus clock output. 66MHz, 100MHz or 133MHz depending on FS pins. |
| 51, 53 | VDDL | PWR | 2.5V power supply for CPU & IOAPIC |
| 54, 55 | IOAPIC (1:0) | OUT | 2.5V clock outputs running at 33.3MHz. |

Power Down Waveform



Note

1. After PD# is sampled active (Low) for 2 consecutive rising edges of CPUCLKs, all the output clocks are driven Low on their next High to Low transition.
2. Power-up latency <3ms.
3. Waveform shown for 100MHz

Maximum Allowed Current

| 815 Condition | Max 2.5V supply consumption Max discrete cap loads, Vddq2 = 2.625V All static inputs = Vddq3 or GND | Max 2.5V supply consumption Max discrete cap loads, Vddq2 = 3.465V All static inputs = Vddq3 or GND |
|--|--|--|
| Powerdown Mode (PWRDWN# = 0) | 10mA | 10mA |
| Full Active 66MHz FS[2:0] = 010 | 70mA | 280mA |
| Full Active 100MHz FS[2:0] = 011 | 100mA | 280mA |
| Full Active 133MHz FS[2:0] = 111 | | |

Clock Enable Configuration

| PD# | CPUCLK | SDRAM | IOAPIC | 66MHz | PCICLK | REF, 48MHz | Osc | VCOs |
|-----|--------|-------|--------|-------|--------|---------------|-----|------|
| 0 | LOW | LOW | LOW | LOW | LOW | LOW | OFF | OFF |
| 1 | ON | ON | ON | ON | ON | ON | ON | ON |

Truth Table

| FS2 | FS1 | FS0 | CPU | SDRAM | 3V66 | PCI | 48MHz | REF | IOAPIC |
|-----|-----|-----|----------|----------|----------|----------|----------|------------|----------|
| X | 0 | 0 | Tristate | Tristate | Tristate | Tristate | Tristate | Tristate | Tristate |
| X | 0 | 1 | TCLK/2 | TCLK/2 | TCLK/3 | TCLK/6 | TCLK/2 | TCLK | TCLK/6 |
| 0 | 1 | 0 | 66.6 MHz | 100 MHz | 66.6 MHz | 33.3 MHz | 48 MHz | 14.318 MHz | 33.3 MHz |
| 0 | 1 | 1 | 100 MHz | 100 MHz | 66.6 MHz | 33.3 MHz | 48 MHz | 14.318 MHz | 33.3 MHz |
| 1 | 1 | 0 | 133 MHz | 133 MHz | 66.6 MHz | 33.3 MHz | 48 MHz | 14.318 MHz | 33.3 MHz |
| 1 | 1 | 1 | 133 MHz | 100 MHz | 66.6 MHz | 33.3 MHz | 48 MHz | 14.318 MHz | 33.3 MHz |

Byte 0: Control Register
(1 = enable, 0 = disable)

| Bit | Pin# | Name | PWD | Description |
|-------|------|--------------------------------|-----|-------------------|
| Bit 7 | | Reserved ID | 0 | (Active/Inactive) |
| Bit 6 | | Reserved ID | 0 | (Active/Inactive) |
| Bit 5 | | Reserved ID | 0 | (Active/Inactive) |
| Bit 4 | | Reserved ID | 0 | (Active/Inactive) |
| Bit 3 | | SpreadSpectrum (1=On/0=Off) | 1 | (Active/Inactive) |
| Bit 2 | 26 | 48MHz 1 | 1 | (Active/Inactive) |
| Bit 1 | 25 | 48MHz 0 | 1 | (Active/Inactive) |
| Bit 0 | 49 | CPUCLK2 | 1 | (Active/Inactive) |

Note: Reserved ID bits must be written as "0".

Byte 1: Control Register
(1 = enable, 0 = disable)

| Bit | Pin# | Name | PWD | Description |
|-------|------|--------|-----|-------------------|
| Bit 7 | 36 | SDRAM7 | 1 | (Active/Inactive) |
| Bit 6 | 37 | SDRAM6 | 1 | (Active/Inactive) |
| Bit 5 | 39 | SDRAM5 | 1 | (Active/Inactive) |
| Bit 4 | 40 | SDRAM4 | 1 | (Active/Inactive) |
| Bit 3 | 42 | SDRAM3 | 1 | (Active/Inactive) |
| Bit 2 | 43 | SDRAM2 | 1 | (Active/Inactive) |
| Bit 1 | 45 | SDRAM1 | 1 | (Active/Inactive) |
| Bit 0 | 46 | SDRAM0 | 1 | (Active/Inactive) |

Notes:

1. Inactive means outputs are held LOW and are disabled from switching. These outputs are designed to be configured at power-on and are not expected to be configured during the normal modes of operation.
2. PWD = Power on Default

Byte 2: Control Register
 (1 = enable, 0 = disable)

| Bit | Pin# | Name | PWD | Description |
|-------|------|---------------|-----|-------------------|
| Bit 7 | 9 | 3V66-2 (AGP) | 1 | (Active/Inactive) |
| Bit 6 | 20 | PCICLK5 | 1 | (Active/Inactive) |
| Bit 5 | 19 | PCICLK4 | 1 | (Active/Inactive) |
| Bit 4 | 18 | PCICLK3 | 1 | (Active/Inactive) |
| Bit 3 | 16 | PCICLK2 | 1 | (Active/Inactive) |
| Bit 2 | 15 | PCICLK1 | 1 | (Active/Inactive) |
| Bit 1 | 13 | PCICLK0 | 1 | (Active/Inactive) |
| Bit 0 | - | Undefined bit | X | (Active/Inactive) |

Notes:

1. Inactive means outputs are held LOW and are disabled from switching. These outputs are designed to be configured at power-on and are not expected to be configured during the normal modes of operation.
2. PWD = Power on Default
3. Undefined bit can be written with either a "1" or "0".

Byte 3: ICS Reserved Functionality and frequency select register (Default as noted in PWD)

| Bit | Description | | | | | | | | PWD |
|-------|---------------------------|-----|-----|------------|-----------|----------|------------|------------|-------------|
| Bit7 | ICS Reserved bit (Note 2) | | | | | | | | 0 |
| Bit6 | ICS Reserved bit (Note 2) | | | | | | | | 0 |
| Bit5 | ICS Reserved bit (Note 2) | | | | | | | | 0 |
| Bit4 | ICS Reserved bit (Note 2) | | | | | | | | 0 |
| Bit3 | ICS Reserved bit (Note 2) | | | | | | | | 0 |
| Bit2 | Undefined bit (Note 3) | | | | | | | | X |
| Bit1 | Undefined bit (Note 3) | | | | | | | | X |
| Bit 0 | Bit 0 | FS0 | FS1 | CPUCLK MHz | SDRAM MHz | 3V66 MHz | PCICLK MHz | IOAPIC MHz | 0 Note 1 |
| | 0 | 0 | 0 | 66.66 | 100.0 | 66.66 | 33.33 | 33.33 | |
| | 0 | 1 | 0 | 100.0 | 100.0 | 66.66 | 33.33 | 33.33 | |
| | 0 | 0 | 1 | 133.32 | 133.32 | 66.66 | 33.33 | 33.33 | |
| | 0 | 1 | 1 | 133.32 | 100.0 | 66.66 | 33.33 | 33.33 | |
| | 1 | 0 | 0 | 66.66 | 100.0 | 66.66 | 33.33 | 33.33 | |
| | 1 | 1 | 0 | 100.0 | 100.0 | 66.66 | 33.33 | 33.33 | |
| | 1 | 0 | 1 | 133.32 | 133.32 | 66.66 | 33.33 | 33.33 | |
| | 1 | 1 | 1 | 133.32 | 133.32 | 66.66 | 33.33 | 33.33 | |

Note 1: For system operation, the BSEL lines of the CPU will program FS0, FS2 for the appropriate CPU speed, always with SDRAM = 100MHz. After BIOS verifies the SDRAM is PC133 speed, then bit 0 can be written from the default 0 to 1 to change the SDRAM output frequency from 100MHz to 133MHz. This will only change if the CPU is at the 133MHz FSB speed as shown in this table. The CPU, 3v66, PCI, and IOAPIC clocks will be glitch free during this transition, and only SDRAM will change.

Note 2: "ICS RESERVED BITS" must be written as "0".

Note3: Undefined bits can be written either as "1 or 0"

Byte 4: Reserved Register
 (1 = enable, 0 = disable)

| Bit | Pin# | Name | PWD | Description |
|-------|------|----------|-----|-------------------|
| Bit 7 | - | Reserved | 0 | (Active/Inactive) |
| Bit 6 | - | Reserved | 0 | (Active/Inactive) |
| Bit 5 | - | Reserved | 0 | (Active/Inactive) |
| Bit 4 | - | Reserved | 0 | (Active/Inactive) |
| Bit 3 | - | Reserved | 0 | (Active/Inactive) |
| Bit 2 | - | Reserved | 0 | (Active/Inactive) |
| Bit 1 | - | Reserved | 0 | (Active/Inactive) |
| Bit 0 | - | Reserved | 0 | (Active/Inactive) |

Byte 5: Reserved Register
 (1 = enable, 0 = disable)

| Bit | Pin# | Name | PWD | Description |
|-------|------|----------|-----|-------------------|
| Bit 7 | - | Reserved | 0 | (Active/Inactive) |
| Bit 6 | - | Reserved | 0 | (Active/Inactive) |
| Bit 5 | - | Reserved | 0 | (Active/Inactive) |
| Bit 4 | - | Reserved | 0 | (Active/Inactive) |
| Bit 3 | - | Reserved | 0 | (Active/Inactive) |
| Bit 2 | - | Reserved | 0 | (Active/Inactive) |
| Bit 1 | - | Reserved | 0 | (Active/Inactive) |
| Bit 0 | - | Reserved | 0 | (Active/Inactive) |

Notes:

1. Inactive means outputs are held LOW and are disabled from switching. These outputs are designed to be configured at power-on and are not expected to be configured during the normal modes of operation.
2. PWD = Power on Default

Group Timing Relationship Table¹

| Group | CPU 66MHz SDRAM 100MHz | | CPU 100MHz SDRAM 100MHz | | CPU 133MHz SDRAM 100MHz | | CPU 133MHz SDRAM 133MHz | |
|---------------|---------------------------|-----------|----------------------------|-----------|----------------------------|-----------|----------------------------|-----------|
| | Offset | Tolerance | Offset | Tolerance | Offset | Tolerance | Offset | Tolerance |
| CPU to SDRAM | 2.5ns | 500ps | 5.0ns | 500ps | 0.0ns | 500ps | 3.75ns | 500ps |
| CPU to 3V66 | 7.5ns | 500ps | 5.0ns | 500ps | 0.0ns | 500ps | 0.0ns | 500ps |
| SDRAM to 3V66 | 0.0ns | 500ps | 0.0ns | 500ps | 0.0ns | 500ps | 3.75ns | 500ps |
| 3V66 to PCI | 1.5-3.5ns | N/A | 1.5-3.5ns | N/A | 1.5-3.5ns | N/A | 1.5 -3.5ns | N/A |
| IOAPIC to PCI | 0.0ns | 1.0ns | 0.0ns | 1.0ns | 0.0ns | 1.0ns | 0.0ns | 1.0ns |
| USB & DOT | Asynch | N/A | Asynch | N/A | Asynch | N/A | Asynch | N/A |

Absolute Maximum Ratings

| | |
|-------------------------------|--------------------------------------|
| Core Supply Voltage | 4.6 V |
| I/O Supply Voltage | 3.6V |
| Logic Inputs | GND -0.5 V to V _{DD} +0.5 V |
| Ambient Operating Temperature | 0°C to +70°C |
| Storage Temperature | -65°C to +150°C |

Stresses above those listed under *Absolute Maximum Ratings* may cause permanent damage to the device. These ratings are stress specifications only and functional operation of the device at these or any other conditions above those listed in the operational sections of the specifications is not implied. Exposure to absolute maximum rating conditions for extended periods may affect product reliability.

Electrical Characteristics - Input/Supply/Common Output Parameters

T_A = 0 - 70°C; Supply Voltage V_{DD} = 3.3 V +/-5%, V_{DDL} = 2.5 V +/-5% (unless otherwise stated)

| PARAMETER | SYMBOL | CONDITIONS | MIN | TYP | MAX | UNITS | |
|--|--|---|----------------------|--------|----------------------|-------|----|
| Input High Voltage | V _{IH} | | 2 | | V _{DD} +0.3 | V | |
| Input Low Voltage | V _{IL} | | V _{SS} -0.3 | | 0.8 | V | |
| Input High Current | I _{IH} | V _{IN} = V _{DD} | -5 | | 5 | μA | |
| Input Low Current | I _{IL1} | V _{IN} = 0 V; Inputs with no pull-up resistors | -5 | 2 | | μA | |
| | I _{IL2} | V _{IN} = 0 V; Inputs with pull-up resistors | -200 | -100 | | | |
| Operating Supply Current | I _{DD3.3OP} | C _L = 0 pF; Select @ 66 MHz | | 97 | 115 | mA | |
| | | C _L = 0 pF; Select @ 100 MHz | | 91 | 110 | | |
| | | C _L = 0 pF; Select @ 133 MHz | | 100 | 165 | | |
| | | C _L = Max loads; Select @ 66 MHz | | 295 | 330 | mA | |
| | | C _L = Max loads; Select @ 100 MHz | | 280 | 320 | | |
| | C _L = Max loads; Select @ 133 MHz | | 300 | 395 | | | |
| | I _{DD2.5OP} | C _L = 0 pF; Select @ 66 MHz | | | 16 | 19 | mA |
| | | C _L = 0 pF; Select @ 100 MHz | | | 25 | 35 | |
| | | C _L = 0 pF; Select @ 133 MHz | | | 26 | 40 | |
| | | C _L = Max loads; Select @ 66 MHz | | | 19 | 30 | mA |
| C _L = Max loads; Select @ 100 MHz | | | | 34 | 50 | | |
| C _L = Max loads; Select @ 133 MHz | | | 40 | 70 | | | |
| Powerdown Current | I _{DD3.3PD} | C _L = Max loads | | 220 | 400 | μA | |
| | I _{DD2.5PD} | Input address VDD or GND | | <1 | 10 | | |
| Input Frequency | F _i | V _{DD} = 3.3 V | 12 | 14.318 | 16 | MHz | |
| Pin Inductance | L _{pin} | | | 7 | | nH | |
| Input Capacitance ¹ | C _{IN} | Logic Inputs | | | 5 | pF | |
| | C _{OUT} | Output pin capacitance | | 6 | | pF | |
| | C _{INX} | X1 & X2 pins | 27 | | 45 | pF | |
| Transition time ¹ | T _{trans} | To 1st crossing of target frequency | | | 5 | ms | |
| Settling time ¹ | T _s | From 1st crossing to 1% target frequency | | | 5 | ms | |
| Clk Stabilization ¹ | T _{STAB} | From V _{DD} = 3.3 V to 1% target frequency | | | 5 | ms | |
| Delay ¹ | t _{PZH} , t _{PZL} | Output enable delay (all outputs) | 1 | | 10 | ns | |
| | t _{PHZ} , t _{PLZ} | Output disable delay (all outputs) | 1 | | 10 | ns | |

¹Guaranteed by design, not 100% tested in production.

Electrical Characteristics - CPU

$T_A = 0 - 70^\circ\text{C}$; $V_{DDL} = 2.5 \text{ V} \pm 5\%$; $C_L = 10\text{-}20 \text{ pF}$ (unless otherwise specified)

| PARAMETER | SYMBOL | CONDITIONS | MIN | TYP | MAX | UNITS |
|-------------------------------------|-------------------|---|------|-----|-----|----------|
| Output Impedance | R_{DSP2B}^1 | $V_O = V_{DD}^*(0.5)$ | 13.5 | 22 | 45 | Ω |
| Output Impedance | R_{DSN2B}^1 | $V_O = V_{DD}^*(0.5)$ | 13.5 | 23 | 45 | Ω |
| Output High Voltage | V_{OH2B} | $I_{OH} = -1 \text{ mA}$ | 2 | | | V |
| Output Low Voltage | V_{OL2B} | $I_{OL} = 1 \text{ mA}$ | | | 0.4 | V |
| Output High Current | I_{OH2B} | $V_{OH @ MIN} = 1.0 \text{ V}$ | -27 | -68 | | mA |
| | | $V_{OH @ MAX} = 2.375 \text{ V}$ | | -9 | -27 | |
| Output Low Current | I_{OL2B} | $V_{OL @ MIN} = 1.2 \text{ V}$ | 27 | 54 | | mA |
| | | $V_{OL @ MAX} = 0.3 \text{ V}$ | | 11 | 30 | |
| Rise Time ¹ | t_{r2B} | $V_{OL} = 0.4 \text{ V}$, $V_{OH} = 2.0 \text{ V}$ | 0.4 | 1.1 | 1.6 | ns |
| Fall Time ¹ | t_{f2B} | $V_{OH} = 2.0 \text{ V}$, $V_{OL} = 0.4 \text{ V}$ | 0.4 | 1.1 | 1.6 | ns |
| Duty Cycle ¹ | d_{l2B} | $V_T = 1.25 \text{ V}$, 66, 100 MHz | 45 | 50 | 55 | % |
| | | $V_T = 1.25 \text{ V}$, 133 MHz | 45 | 53 | 55 | |
| Skew window ¹ | t_{sk2B} | $V_T = 1.25 \text{ V}$ | | 118 | 175 | ps |
| Jitter, Cycle-to-cycle ¹ | $t_{jycyc-cyc2B}$ | $V_T = 1.25 \text{ V}$ | | 148 | 250 | ps |

¹Guaranteed by design, not 100% tested in production.

Electrical Characteristics - 3V66

$T_A = 0 - 70^\circ\text{C}$; $V_{DD} = 3.3 \text{ V} \pm 5\%$; $C_L = 10\text{-}20 \text{ pF}$ (unless otherwise specified)

| PARAMETER | SYMBOL | CONDITIONS | MIN | TYP | MAX | UNITS |
|-------------------------------------|------------------|---|-----|------|------|----------|
| Output Impedance | R_{DSP1}^1 | $V_O = V_{DD}^*(0.5)$ | 12 | 17 | 55 | Ω |
| Output Impedance | R_{DSN1}^1 | $V_O = V_{DD}^*(0.5)$ | 12 | 18 | 55 | Ω |
| Output High Voltage | V_{OH1} | $I_{OH} = -1 \text{ mA}$ | 2.4 | | | V |
| Output Low Voltage | V_{OL1} | $I_{OL} = 1 \text{ mA}$ | | | 0.55 | V |
| Output High Current | I_{OH1} | $V_{OH @ MIN} = 1.0 \text{ V}$ | -33 | -108 | | mA |
| | | $V_{OH @ MAX} = 3.135 \text{ V}$ | | -9 | -33 | |
| Output Low Current | I_{OL1} | $V_{OL @ MIN} = 1.95 \text{ V}$ | 30 | 95 | | mA |
| | | $V_{OL @ MAX} = 0.4 \text{ V}$ | | 29 | 38 | |
| Rise Time ¹ | t_{r1} | $V_{OL} = 0.4 \text{ V}$, $V_{OH} = 2.4 \text{ V}$ | 0.4 | 1.2 | 1.8 | ns |
| Fall Time ¹ | t_{f1} | $V_{OH} = 2.4 \text{ V}$, $V_{OL} = 0.4 \text{ V}$ | 0.4 | 1.3 | 1.8 | ns |
| Duty Cycle ¹ | d_{l1} | $V_T = 1.5 \text{ V}$ | 45 | 50 | 55 | % |
| Skew window ¹ | t_{sk1} | $V_T = 1.5 \text{ V}$ | | 82 | 175 | ps |
| Jitter, Cycle-to-cycle ¹ | $t_{jycyc-cyc1}$ | $V_T = 1.5 \text{ V}$ | | 123 | 500 | ps |

¹Guaranteed by design, not 100% tested in production.

Electrical Characteristics - IOAPIC

$T_A = 0 - 70^\circ\text{C}$; $V_{DDL} = 2.5 \text{ V} \pm 5\%$; $C_L = 10\text{-}20 \text{ pF}$ (unless otherwise specified)

| PARAMETER | SYMBOL | CONDITIONS | MIN | TYP | MAX | UNITS |
|-------------------------------------|-------------------------|---|-----|------|-----|----------|
| Output Impedance | R_{DSP4B}^1 | $V_O = V_{DD}^*(0.5)$ | 9 | 21.5 | 30 | Ω |
| Output Impedance | R_{DSN4B}^1 | $V_O = V_{DD}^*(0.5)$ | 9 | 23 | 30 | Ω |
| Output High Voltage | V_{OH4B} | $I_{OH} = -1 \text{ mA}$ | 2 | | | V |
| Output Low Voltage | V_{OL4B} | $I_{OL} = 1 \text{ mA}$ | | | 0.4 | V |
| Output High Current | I_{OH4B} | $V_{OH @ MIN} = 1.0 \text{ V}$ | -27 | -68 | | mA |
| | | $V_{OH @ MAX} = 2.375 \text{ V}$ | | -9 | -27 | |
| Output Low Current | I_{OL4B} | $V_{OL @ MIN} = 1.2 \text{ V}$ | 27 | 54 | | mA |
| | | $V_{OL @ MAX} = 0.3 \text{ V}$ | | 11 | 30 | |
| Rise Time ¹ | t_{r4B} | $V_{OL} = 0.4 \text{ V}$, $V_{OH} = 2.0 \text{ V}$ | 0.4 | 1.1 | 1.6 | ns |
| Fall Time ¹ | t_{f4B} | $V_{OH} = 2.0 \text{ V}$, $V_{OL} = 0.4 \text{ V}$ | 0.4 | 1.1 | 1.6 | ns |
| Duty Cycle ¹ | d_{t4B} | $V_T = 1.25 \text{ V}$ | 45 | 50 | 55 | % |
| Jitter, Cycle-to-cycle ¹ | $t_{j\text{cyc-cyc}4B}$ | $V_T = 1.25 \text{ V}$ | | 123 | 500 | ps |

¹Guaranteed by design, not 100% tested in production.

Electrical Characteristics - SDRAM

$T_A = 0 - 70^\circ\text{C}$; $V_{DD} = 3.3 \text{ V} \pm 5\%$; $C_L = 20\text{-}30 \text{ pF}$ (unless otherwise specified)

| PARAMETER | SYMBOL | CONDITIONS | MIN | TYP | MAX | UNITS |
|-------------------------------------|------------------------|---|-----|-----|-----|----------|
| Output Impedance | R_{DSP3}^1 | $V_O = V_{DD}^*(0.5)$ | 10 | 14 | 24 | Ω |
| Output Impedance | R_{DSN3}^1 | $V_O = V_{DD}^*(0.5)$ | 10 | 18 | 24 | Ω |
| Output High Voltage | V_{OH3} | $I_{OH} = -1 \text{ mA}$ | 2.4 | | | V |
| Output Low Voltage | V_{OL3} | $I_{OL} = 1 \text{ mA}$ | | | 0.4 | V |
| Output High Current | I_{OH3} | $V_{OH @ MIN} = 2.0 \text{ V}$ | -54 | -92 | | mA |
| | | $V_{OH @ MAX} = 3.135 \text{ V}$ | | -16 | -46 | |
| Output Low Current | I_{OL3} | $V_{OL @ MIN} = 1.0 \text{ V}$ | 54 | 68 | | mA |
| | | $V_{OL @ MAX} = 0.4 \text{ V}$ | | 29 | 53 | |
| Rise Time ¹ | t_{r3} | $V_{OL} = 0.4 \text{ V}$, $V_{OH} = 2.4 \text{ V}$ | 0.4 | 1 | 1.6 | ns |
| Fall Time ¹ | t_{f3} | $V_{OH} = 2.4 \text{ V}$, $V_{OL} = 0.4 \text{ V}$ | 0.4 | 1.5 | 1.6 | ns |
| Duty Cycle ¹ | d_{t3} | $V_T = 1.5 \text{ V}$ | 45 | 52 | 55 | % |
| Skew window ¹ | t_{sk3} | $V_T = 1.5 \text{ V}$ | | 164 | 250 | ps |
| Jitter, Cycle-to-cycle ¹ | $t_{j\text{cyc-cyc}3}$ | $V_T = 1.5 \text{ V}$, 66, 100 MHz | | 180 | 250 | ps |

¹Guaranteed by design, not 100% tested in production.

Electrical Characteristics - PCI

$T_A = 0 - 70^\circ\text{C}$; $V_{DD} = 3.3 \text{ V} \pm 5\%$; $C_L = 10\text{-}30 \text{ pF}$ (unless otherwise specified)

| PARAMETER | SYMBOL | CONDITIONS | MIN | TYP | MAX | UNITS |
|-------------------------------------|------------------------|--|-----|------|------|----------|
| Output Impedance | R_{DSP1}^1 | $V_O = V_{DD} * (0.5)$ | 12 | 14 | 55 | Ω |
| Output Impedance | R_{DSN1}^1 | $V_O = V_{DD} * (0.5)$ | 12 | 18 | 55 | Ω |
| Output High Voltage | V_{OH1} | $I_{OH} = -1 \text{ mA}$ | 2.4 | | | V |
| Output Low Voltage | V_{OL1} | $I_{OL} = 1 \text{ mA}$ | | | 0.55 | V |
| Output High Current | I_{OH1} | $V_{OH @ MIN} = 1.0 \text{ V}$ | -33 | -106 | | mA |
| | | $V_{OH @ MAX} = 3.135 \text{ V}$ | | -14 | -33 | |
| Output Low Current | I_{OL1} | $V_{OL @ MIN} = 1.95 \text{ V}$ | 30 | 94 | | mA |
| | | $V_{OL @ MAX} = 0.4 \text{ V}$ | | 29 | 38 | |
| Rise Time ¹ | t_{r1} | $V_{OL} = 0.4 \text{ V}, V_{OH} = 2.4 \text{ V}$ | 0.4 | 1.3 | 2 | ns |
| Fall Time ¹ | t_{f1} | $V_{OH} = 2.4 \text{ V}, V_{OL} = 0.4 \text{ V}$ | 0.4 | 1.4 | 2 | ns |
| Duty Cycle ¹ | d_{t1} | $V_T = 1.5 \text{ V}$ | 45 | 52 | 55 | % |
| Skew window ¹ | t_{sk1} | $V_T = 1.5 \text{ V}$ | | 304 | 500 | ps |
| Jitter, Cycle-to-cycle ¹ | $t_{j\text{cyc-cyc}1}$ | $V_T = 1.5 \text{ V}$ | | 170 | 500 | ps |

¹Guaranteed by design, not 100% tested in production.

Electrical Characteristics - REF, 48MHz_0 (Pin 25)

$T_A = 0 - 70^\circ\text{C}$; $V_{DD} = 3.3 \text{ V} \pm 5\%$; $C_L = 10\text{-}20 \text{ pF}$ (unless otherwise specified)

| PARAMETER | SYMBOL | CONDITIONS | MIN | TYP | MAX | UNITS |
|-------------------------------------|------------------------|--|-----|------|------|----------|
| Output Impedance | R_{DSP5}^1 | $V_O = V_{DD} * (0.5)$ | 20 | 32.6 | 60 | Ω |
| Output Impedance | R_{DSN5}^1 | $V_O = V_{DD} * (0.5)$ | 20 | 31 | 60 | Ω |
| Output High Voltage | V_{OH15} | $I_{OH} = -1 \text{ mA}$ | 2.4 | | | V |
| Output Low Voltage | V_{OL5} | $I_{OL} = 1 \text{ mA}$ | | | 0.55 | V |
| Output High Current | I_{OH5} | $V_{OH @ MIN} = 1.0 \text{ V}$ | -29 | -54 | | mA |
| | | $V_{OH @ MAX} = 3.135 \text{ V}$ | | -11 | -23 | |
| Output Low Current | I_{OL5} | $V_{OL @ MIN} = 1.95 \text{ V}$ | 29 | 54 | | mA |
| | | $V_{OL @ MAX} = 0.4 \text{ V}$ | | 16 | 27 | |
| Rise Time ¹ | t_{r5} | $V_{OL} = 0.4 \text{ V}, V_{OH} = 2.4 \text{ V}$ | 0.4 | 1.4 | 4 | ns |
| Fall Time ¹ | t_{f5} | $V_{OH} = 2.4 \text{ V}, V_{OL} = 0.4 \text{ V}$ | 0.4 | 1.7 | 4 | ns |
| Duty Cycle ¹ | d_{t5} | $V_T = 1.5 \text{ V}$ | 45 | 53 | 55 | % |
| Jitter, Cycle-to-cycle ¹ | $t_{j\text{cyc-cyc}5}$ | $V_T = 1.5 \text{ V}$, Fixed clocks | | 215 | 500 | ps |
| Jitter, Cycle-to-cycle ¹ | $t_{j\text{cyc-cyc}5}$ | $V_T = 1.5 \text{ V}$, Ref clocks | | 930 | 1000 | ps |

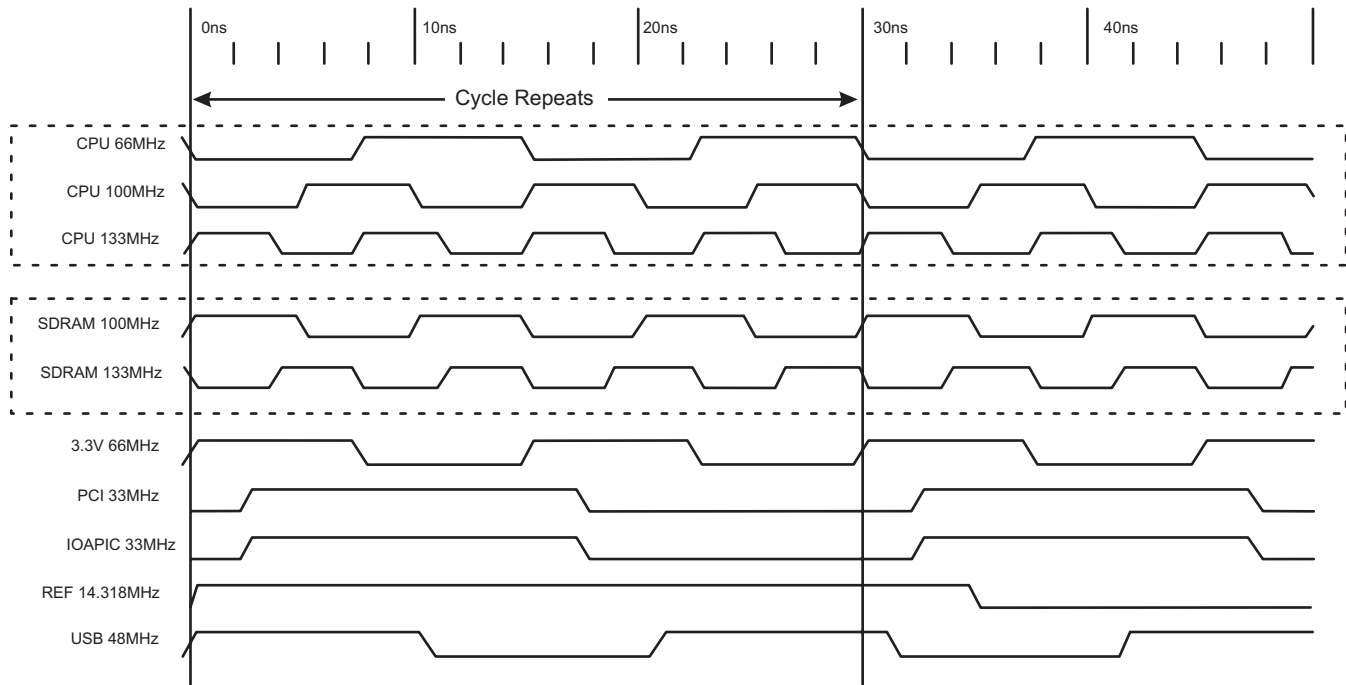
¹Guaranteed by design, not 100% tested in production.

Electrical Characteristics - 48MHz_1 (Pin 26)

$T_A = 0 - 70^\circ\text{C}$; $V_{DD} = 3.3\text{ V} \pm 5\%$; $C_L = 10\text{-}15\text{ pF}$ (unless otherwise specified)

| PARAMETER | SYMBOL | CONDITIONS | MIN | TYP | MAX | UNITS |
|-------------------------------------|------------------|---|-----|------|------|----------|
| Output Impedance | R_{DSP3}^1 | $V_O = V_{DD}^*(0.5)$ | 10 | 16.7 | 24 | Ω |
| Output Impedance | R_{DSN3}^1 | $V_O = V_{DD}^*(0.5)$ | 10 | 18.4 | 24 | Ω |
| Output High Voltage | V_{OH3} | $I_{OH} = -1\text{ mA}$ | 2.4 | | | V |
| Output Low Voltage | V_{OL3} | $I_{OL} = 1\text{ mA}$ | | | 0.55 | V |
| Output High Current | I_{OH3} | $V_{OH @ MIN} = 2.0\text{ V}$ | -54 | -82 | | mA |
| | | $V_{OH @ MAX} = 3.135\text{ V}$ | | -20 | -46 | |
| Output Low Current | I_{OL3} | $V_{OL @ MIN} = 1.0\text{ V}$ | 54 | 95 | | mA |
| | | $V_{OL @ MAX} = 0.4\text{ V}$ | | 28 | 53 | |
| Rise Time ¹ | t_{r3} | $V_{OL} = 0.4\text{ V}$, $V_{OH} = 2.4\text{ V}$ | 0.4 | 1.1 | 1.6 | ns |
| Fall Time ¹ | t_{f3} | $V_{OH} = 2.4\text{ V}$, $V_{OL} = 0.4\text{ V}$ | 0.4 | 1.1 | 1.6 | ns |
| Duty Cycle ¹ | d_{f3} | $V_T = 1.5\text{ V}$ | 45 | 51 | 55 | % |
| Skew | t_{sk3} | $V_T = 1.5\text{ V}$ | | 116 | 250 | ps |
| Jitter, Cycle-to-cycle ¹ | $t_{jcyc-cyc3B}$ | $V_T = 1.5\text{ V}$ | | 196 | 500 | ps |

¹Guaranteed by design, not 100% tested in production.



Group Offset Waveforms

General I²C serial interface information

The information in this section assumes familiarity with I²C programming.

How to Write:

- Controller (host) sends a start bit.
- Controller (host) sends the write address D2_(H)
- ICS clock will *acknowledge*
- Controller (host) sends a dummy command code
- ICS clock will *acknowledge*
- Controller (host) sends a dummy byte count
- ICS clock will *acknowledge*
- Controller (host) starts sending first byte (Byte 0) through byte 5
- ICS clock will *acknowledge* each byte *one at a time*.

| How to Write: | |
|------------------------------|----------------------|
| Controller (Host) | ICS (Slave/Receiver) |
| Start Bit | |
| Address D2 _(H) | |
| | ACK |
| Dummy Command Code | |
| | ACK |
| Dummy Byte Count | |
| | ACK |
| Byte 0 | |
| | ACK |
| Byte 1 | |
| | ACK |
| Byte 2 | |
| | ACK |
| Byte 3 | |
| | ACK |
| Byte 4 | |
| | ACK |
| Byte 5 | |
| | ACK |
| Stop Bit | |

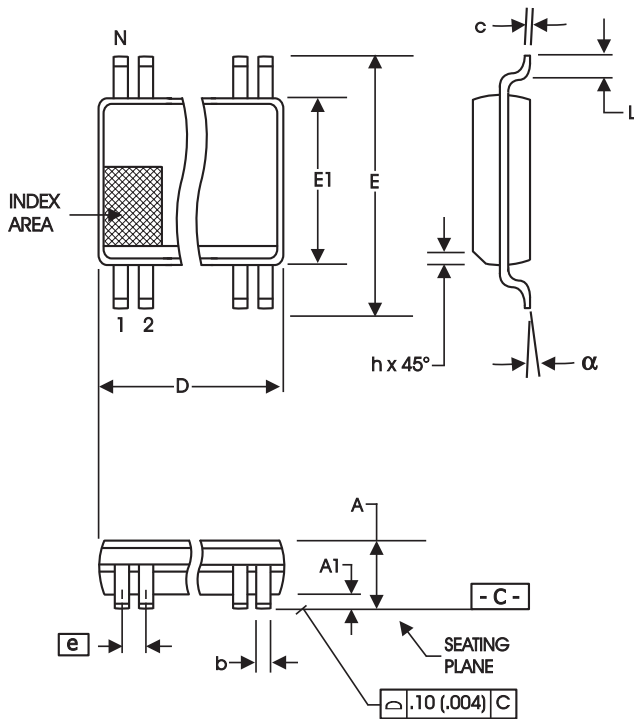
How to Read:

- Controller (host) will send start bit.
- Controller (host) sends the read address D3_(H)
- ICS clock will *acknowledge*
- ICS clock will send the *byte count*
- Controller (host) acknowledges
- ICS clock sends first byte (*Byte 0*) through *byte 5*
- Controller (host) will need to acknowledge each byte
- Controller (host) will send a stop bit

| How to Read: | |
|------------------------------|----------------------|
| Controller (Host) | ICS (Slave/Receiver) |
| Start Bit | |
| Address D3 _(H) | |
| | ACK |
| | Byte Count |
| ACK | |
| | Byte 0 |
| ACK | |
| | Byte 1 |
| ACK | |
| | Byte 2 |
| ACK | |
| | Byte 3 |
| ACK | |
| | Byte 4 |
| ACK | |
| | Byte 5 |
| ACK | |
| Stop Bit | |

Notes:

1. The ICS clock generator is a slave/receiver, I²C component. It can read back the data stored in the latches for verification. **Read-Back will support Intel PIIX4 "Block-Read" protocol.**
2. The data transfer rate supported by this clock generator is 100K bits/sec or less (standard mode)
3. The input is operating at 3.3V logic levels.
4. The data byte format is 8 bit bytes.
5. To simplify the clock generator I²C interface, the protocol is set to use only "**Block-Writes**" from the controller. The bytes must be accessed in sequential order from lowest to highest byte with the ability to stop after any complete byte has been transferred. The Command code and Byte count shown above must be sent, but the data is ignored for those two bytes. The data is loaded until a Stop sequence is issued.
6. At power-on, all registers are set to a default condition, as shown.



56-Lead, 300 mil Body, 25 mil, SSOP

| SYMBOL | In Millimeters COMMON DIMENSIONS | | In Inches COMMON DIMENSIONS | |
|--------|-------------------------------------|-------|--------------------------------|-------|
| | MIN | MAX | MIN | MAX |
| A | 2.41 | 2.80 | .095 | .110 |
| A1 | 0.20 | 0.40 | .008 | .016 |
| b | 0.20 | 0.34 | .008 | .0135 |
| c | 0.13 | 0.25 | .005 | .010 |
| D | SEE VARIATIONS | | SEE VARIATIONS | |
| E | 10.03 | 10.68 | .395 | .420 |
| E1 | 7.40 | 7.60 | .291 | .299 |
| e | 0.635 BASIC | | 0.025 BASIC | |
| h | 0.38 | 0.64 | .015 | .025 |
| L | 0.50 | 1.02 | .020 | .040 |
| N | SEE VARIATIONS | | SEE VARIATIONS | |
| alpha | 0° | 8° | 0° | 8° |

VARIATIONS

| N | D mm. | | D (inch) | |
|----|-------|-------|----------|------|
| | MIN | MAX | MIN | MAX |
| 56 | 18.31 | 18.55 | .720 | .730 |

Reference Doc.: JEDEC Publication 95, MO-118

10-0034

Ordering Information

9250yF-27LF-T

Example:

XXXX y F - PPP LF - T

- XXXX — Device Type (consists of 3 to 7 digit numbers)
- y — Revision Designator (will not correlate with datasheet revision)
- F — Package Type
F=SSOP
- PPP — Pattern Number (2 or 3 digit number for parts with ROM code patterns)
- LF — RoHS Compliant (Optional)
- T — Designation for tape and reel packaging

Revision History

| Rev. | Issue Date | Description | Page # |
|-------------|-------------------|---|---------------|
| C | 8/17/2005 | Added LF Ordering Information | 14 |
| D | 10/25/2005 | Removed "Contact ICS for an I ² C programming application" note reference. | 13 |
| E | 9/11/2008 | Corrected typo on pin# 28/29 pin description | 2 |
| F | 1/25/2010 | Updated document template | |
| | | | |

IMPORTANT NOTICE AND DISCLAIMER

RENESAS ELECTRONICS CORPORATION AND ITS SUBSIDIARIES (“RENESAS”) PROVIDES TECHNICAL SPECIFICATIONS AND RELIABILITY DATA (INCLUDING DATASHEETS), DESIGN RESOURCES (INCLUDING REFERENCE DESIGNS), APPLICATION OR OTHER DESIGN ADVICE, WEB TOOLS, SAFETY INFORMATION, AND OTHER RESOURCES “AS IS” AND WITH ALL FAULTS, AND DISCLAIMS ALL WARRANTIES, EXPRESS OR IMPLIED, INCLUDING, WITHOUT LIMITATION, ANY IMPLIED WARRANTIES OF MERCHANTABILITY, FITNESS FOR A PARTICULAR PURPOSE, OR NON-INFRINGEMENT OF THIRD PARTY INTELLECTUAL PROPERTY RIGHTS.

These resources are intended for developers skilled in the art designing with Renesas products. You are solely responsible for (1) selecting the appropriate products for your application, (2) designing, validating, and testing your application, and (3) ensuring your application meets applicable standards, and any other safety, security, or other requirements. These resources are subject to change without notice. Renesas grants you permission to use these resources only for development of an application that uses Renesas products. Other reproduction or use of these resources is strictly prohibited. No license is granted to any other Renesas intellectual property or to any third party intellectual property. Renesas disclaims responsibility for, and you will fully indemnify Renesas and its representatives against, any claims, damages, costs, losses, or liabilities arising out of your use of these resources. Renesas' products are provided only subject to Renesas' Terms and Conditions of Sale or other applicable terms agreed to in writing. No use of any Renesas resources expands or otherwise alters any applicable warranties or warranty disclaimers for these products.

(Rev.1.0 Mar 2020)

Corporate Headquarters

TOYOSU FORESIA, 3-2-24 Toyosu,
Koto-ku, Tokyo 135-0061, Japan
www.renesas.com

Contact Information

For further information on a product, technology, the most up-to-date version of a document, or your nearest sales office, please visit:
www.renesas.com/contact/

Trademarks

Renesas and the Renesas logo are trademarks of Renesas Electronics Corporation. All trademarks and registered trademarks are the property of their respective owners.