

DO NOT SCALE ALL DIMENSIONS ARE FOR REFERENCE ONLY

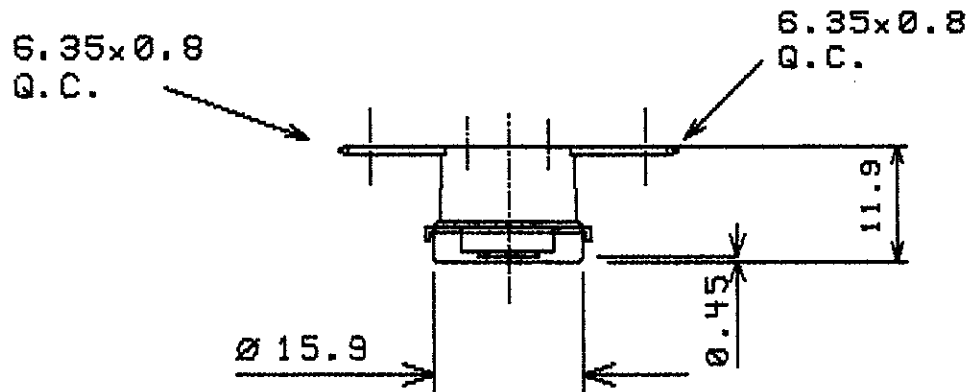
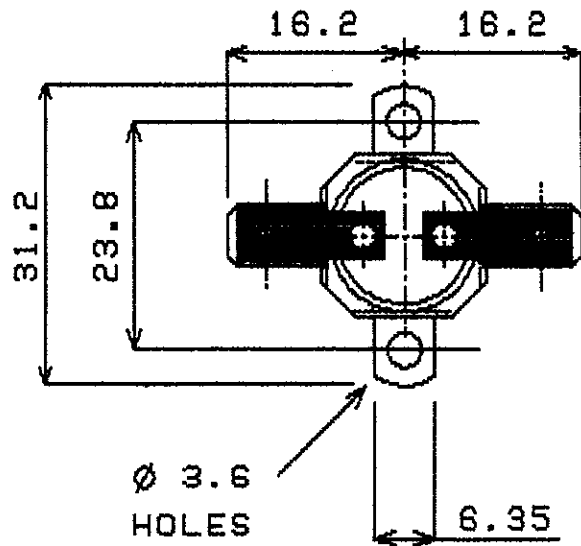
OPERATING CRITERIA

VOLTS: 240      AMPS: 10      HZ:

OPERATING TEMPS. DEG. C



OPEN: 110 ± 4

CLOSE: 95 ± 5



NOTE: ORIENTATION OF BRACKET IS NOT FIXED

ISSUE	A	B							
MOD No	2052	2258							
MTH/YR	3/97	7/98							

<p><u>CODING REQUIREMENTS</u>          COLOUR: LASER CODE          L110C RP 9100 439 XXX          (XXX = DATE CODING)</p>	<p>CAP: 8200      MAT'L: ALUMINIUM          BRK/T: 82036      MAT'L: STEEL          PLATING: NICKEL</p>	<p>ELMWOOD DEVICE &amp; UNIQUE PART No.          2455RP-9100-439</p>	<p>ELMWOOD DRG No.          965207</p>	<p>ISSUE          B</p>
	<p>TERMINAL: T146      : T146          MATERIAL: BRASS      : BRASS          PLATING: NICKEL      : NICKEL</p>	<p>      ELMWOOD          SENSORS LTD</p>	<p>DATE OF ISSUE STAMP            7 JUL 1998</p>	