

NEW



Compatible With PCI Express Mini Card

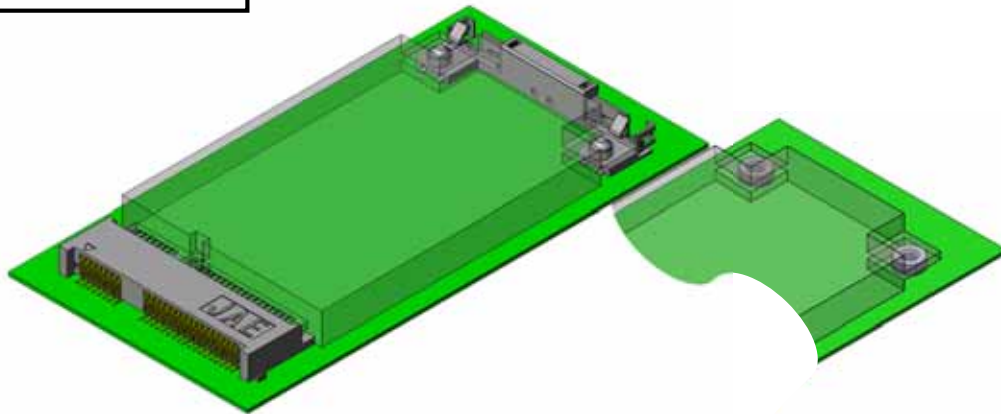
CONNECTOR

MB-0147-6

April 2015

MM60 Series

RoHS Compliant



The MM60 Series is a module socket compatible with the specifications defined by the PCI-SIG.

Features

- Compatible with the PCI Express Mini Card Electromechanical Specification and can be used for connecting with modules with PCI Express and USB communication.
- 76-contact socket is compatible with DMC (Display Mini Card).
- Retention latch part available to fix module to connector.
Latch has mechanisms on both sides for module ejection.
- Two types of module mounting heights are available.
Stand-off type allows components of under 1.8mm height to be placed below the module.
- Connector and latch are compatible with automatic mounting.
Embossed tape packaging.

General Specifications

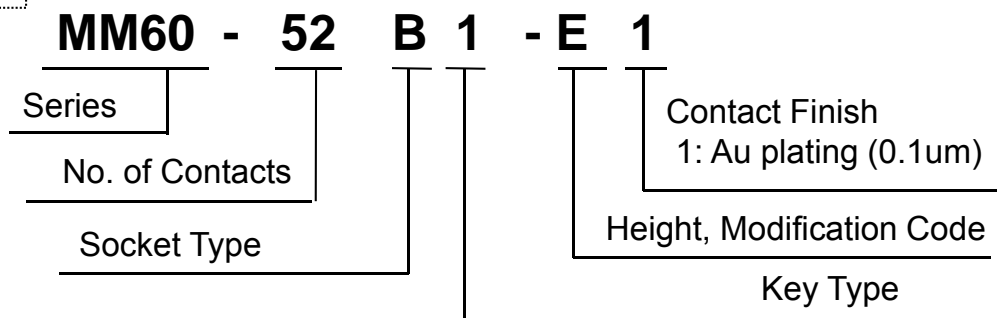
- No. of Contacts: 52 pos., 76 pos.
- Contact Resistance: 60mΩ max. (initial)
- Dielectric Withstanding Voltage: AC 300Vr.m.s (for 1 minute)
- Operating Temperature: -40 to +85 Deg. C
- Rated Current: 0.5A per pin
- Durability: 50 mating cycles
- Insertion Loss: -1dB min.(1.25GHz max.) / -5dB min.(3.75GHz max.)
- Return Loss: -12dB max.(1.3GHz max.) / -7dB max.(2GHz max.) / -4dB(3.75GHz max.)
- Crosstalk (Near End): -32dB max.(1.25GHz max.) / -26dB max.(3.75GHz max.)

Materials and Finishes

Component	Material / Finish
Connector	
Contact	Copper alloy / Contact area: Au plating over Ni Terminal area: Au flash over Ni
Insulator	Heat resistant material (UL94V-0)
Hold down	Copper alloy / Sn plating
Latch	
Contact	Stainless steel / Sn plating
Insulator	Heat resistant material (UL94V-0)
Nut	
Nut	Brass / Sn plating

Ordering Information

Connector



Latch

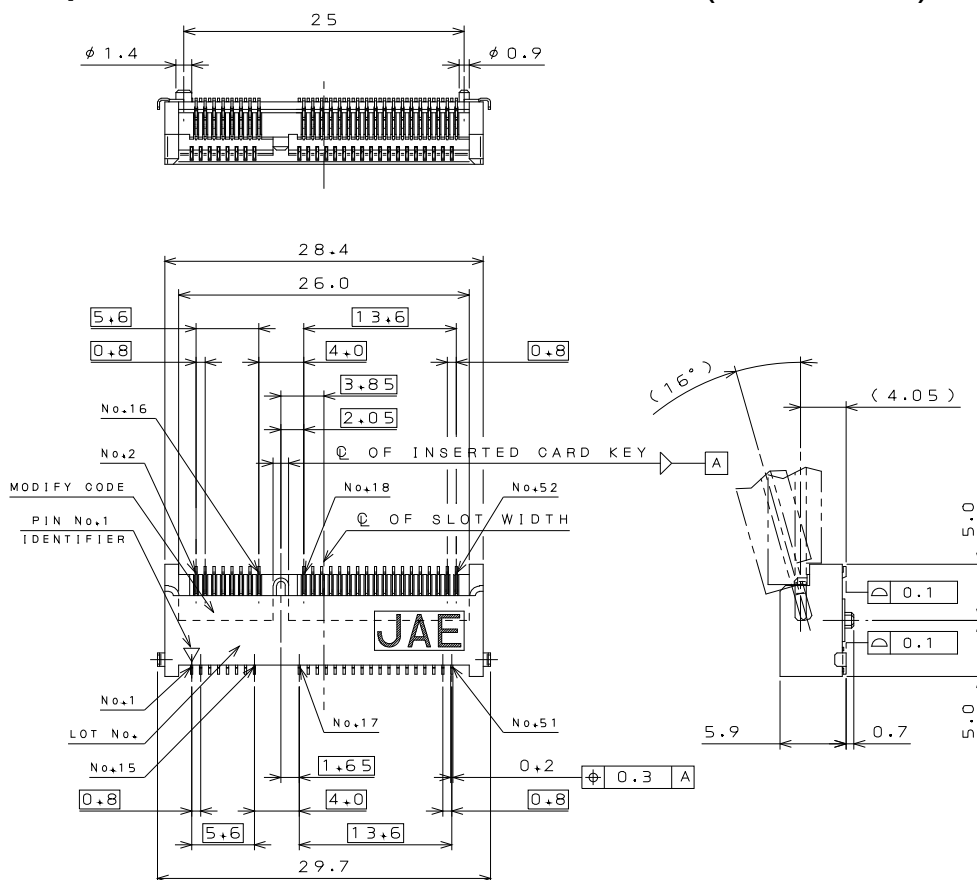


Combination

	Connector	Latch	Nut
Height 1	MM60-52B1-G1	MM60-EZH039-B5	NT1
	MM60-76B2-G1		
Height 2	MM60-52B1-E1	MM60-EZH059-B5	NT4
Height 3	MM60-52C2-R1	----	----

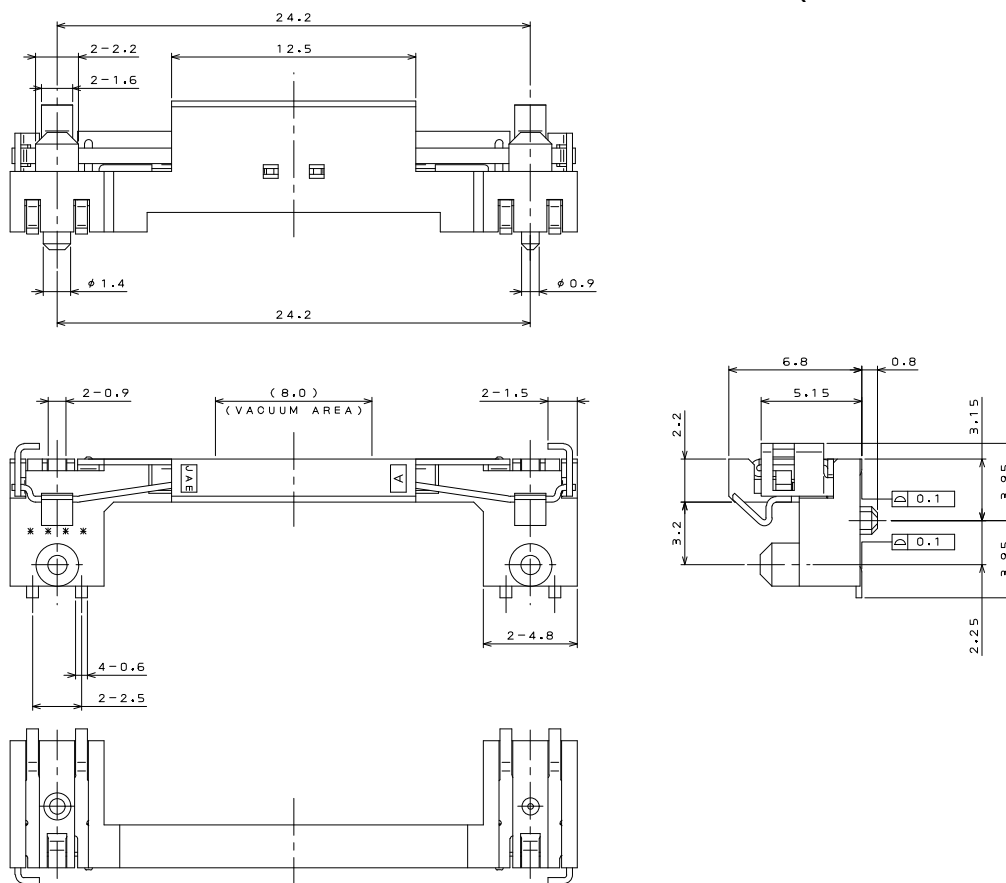
Connector: MM60-52B1-E1 (SJ105219)

Embossed Tape Product: MM60-52B1-E*-R650 (SJ105220)



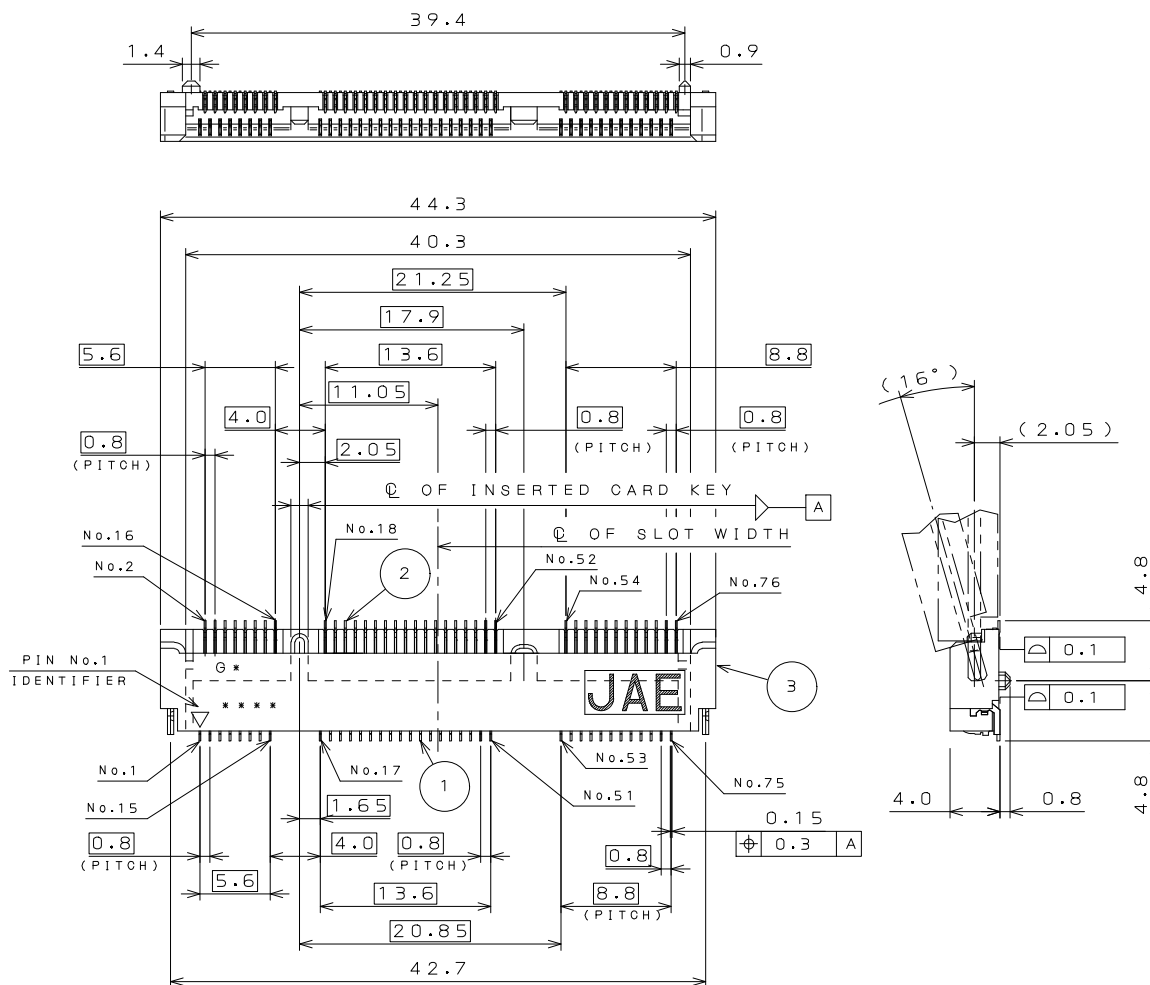
Latch: MM60-EZH059-B5 (SJ105221)

Embossed Tape Product: MM60-EZH059-B5-R650 (SJ105222)



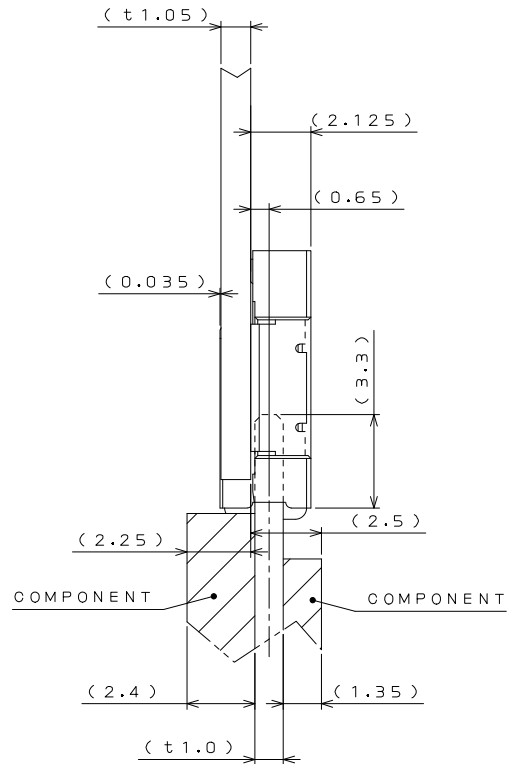
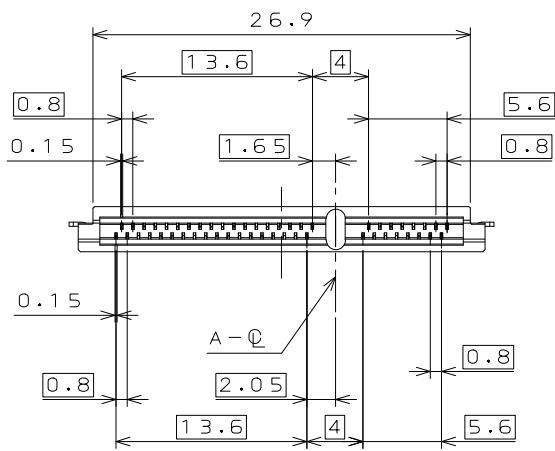
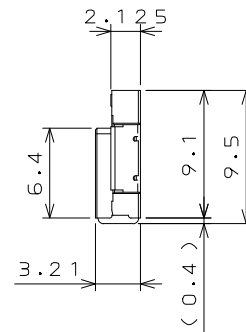
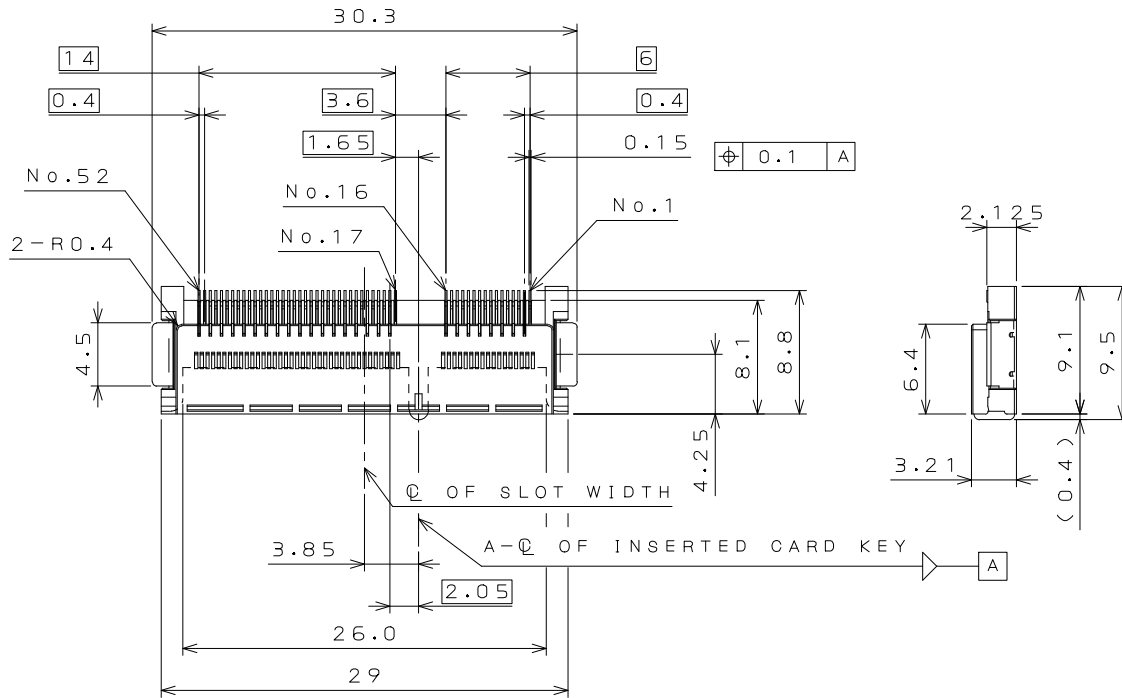
Connector: MM60-76B2-G1 (SJ110638)

Embossed Tape Product: MM60-76B2-G1-R1000 (SJ110836)



Connector: MM60-52C2-R1 (SJ111356)

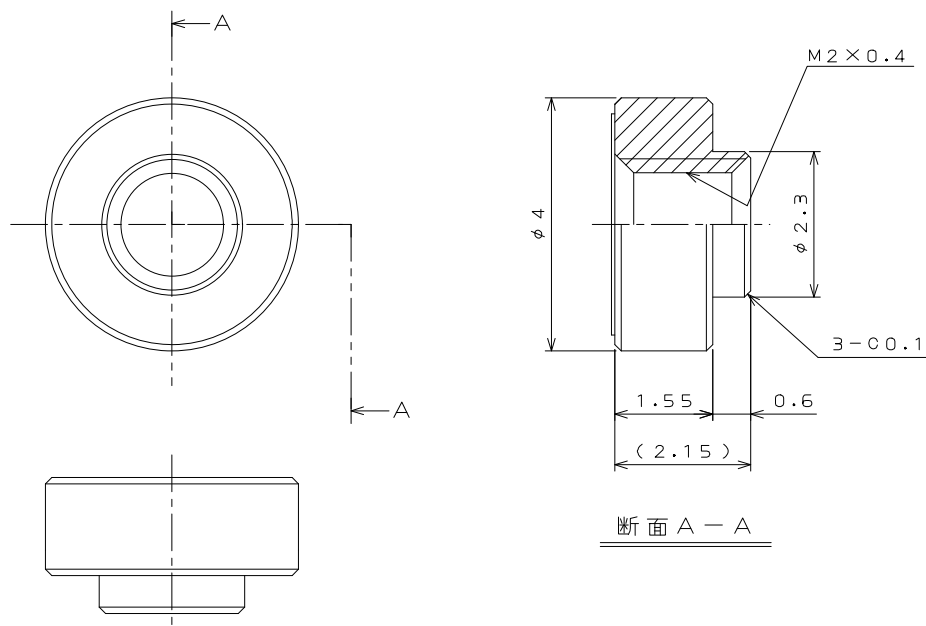
Embossed Tape Product: MM60-52C2-R1-R1200(SJ111357)



MOUNTING CONDITION (REF.+)
 実装状態図 (参考)

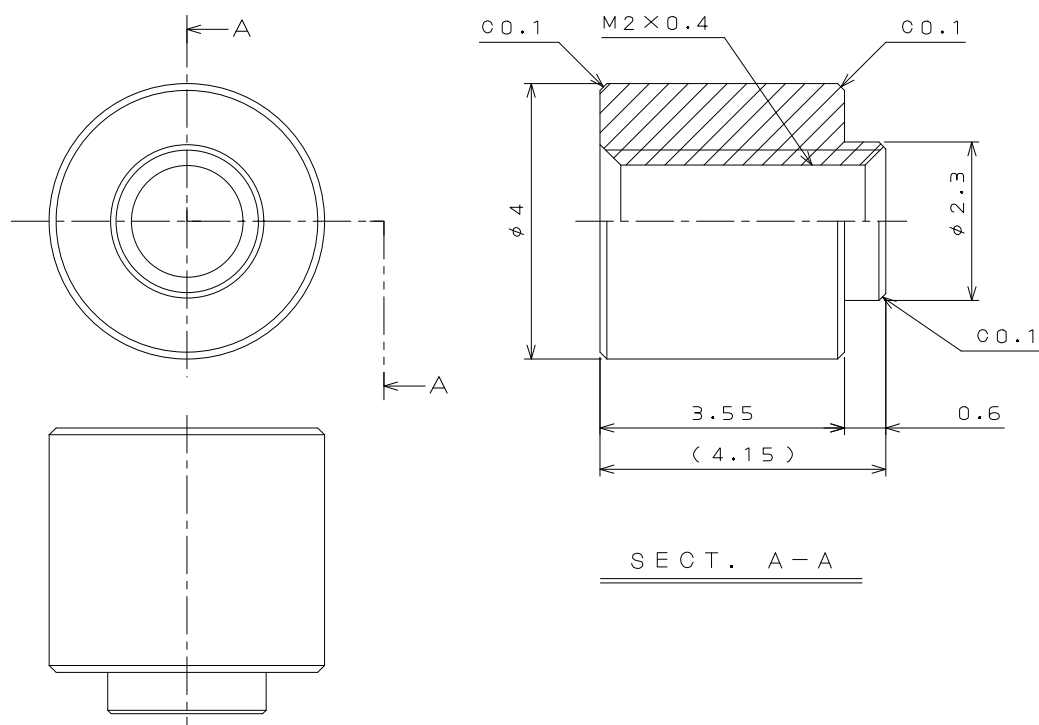
Latch: NT1 (SJ109548)

Embossed Tape Product: NT1R3000 (SJ109575)

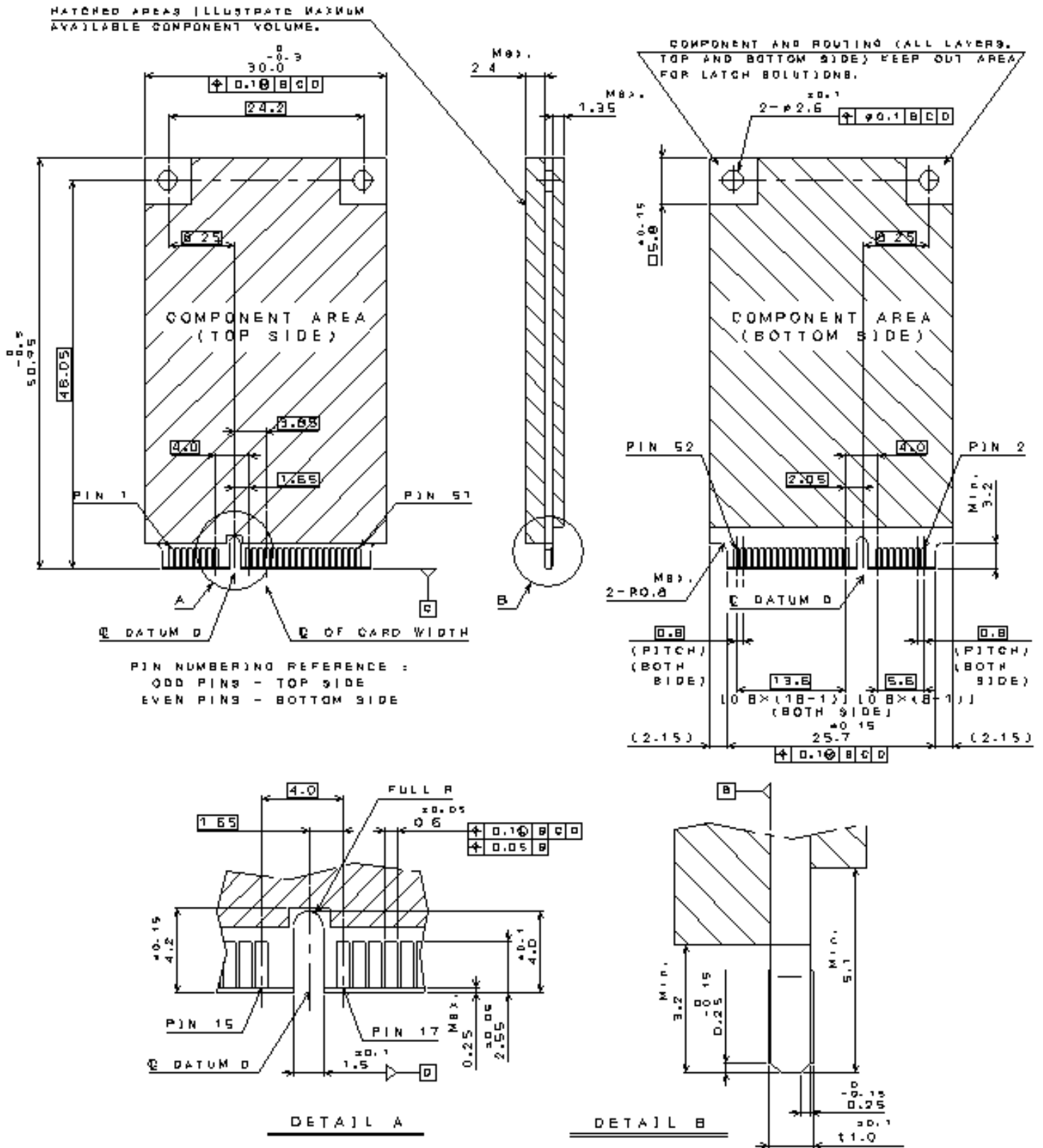


Latch: NT4 (SJ110869)

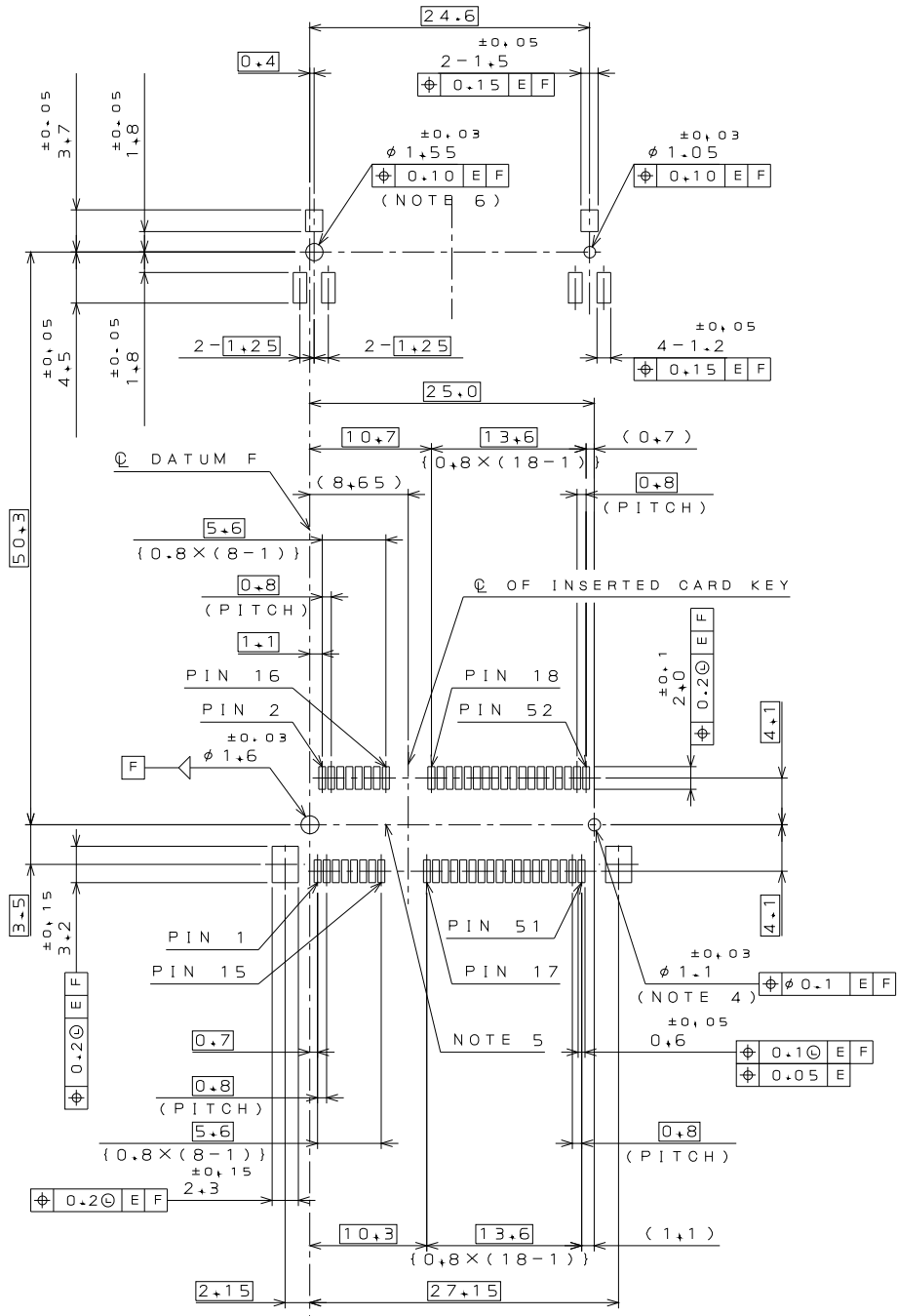
Embossed Tape Product: NT4R1600 (SJ110870)



Applicable Module Dimensions (52 pos., for reference)



Board Mounting Dimensions (52 pos., for reference)



**Please refer to SJ drawing when considering this product

Japan Aviation Electronics Industry, Limited

Notice: Products shown in this brochure are made for the applications listed below. However, if the above-mentioned products are to be used in aerospace devices, marine cable-connection devices, atomic power control systems, medical equipment for life-support systems, or any other specific application requiring extremely high reliability, please contact JAE for further information. Recommended applications: Computers, Office machines, Measuring devices, Telecommunication devices (Terminals, Mobile devices), AV devices, Household applications, FA devices, etc.

* The specifications in this brochure are subject to change without notice. Please contact JAE for information.