



## | 9960 SERIES

### HALL EFFECT SENSOR



### Introduction

Model 9960 Hall effect rotary position sensors are available in numerous standard configurations with fast, one week delivery. Available configurations include 7 termination options, single or dual outputs and 24 active electrical angles. With 360 degree turn capability, the 9960 can be used over a large range of rotary motion making it extremely versatile.

Packaged in a highly sealed (IP69K) housing and utilizing non-contacting Hall effect technology makes the 9960 an exceptionally rugged and reliable sensor. Model 9960 is ideal for a variety of applications in harsh environments, including steering and pedal positioning for construction, agriculture and mining vehicles, marine steering and speed control, wheel and throttle position for material handling equipment, and valve position for process control.



## SPECIFICATIONS

### Mechanical

<b>Mechanical Travel</b>	Continuous 360 degree and option for 180 degree mechanical stops
<b>Operating Torque</b>	0.11 N-m maximum
<b>Weight</b>	80 g (w/ 6" cable)
<b>Mounting</b>	38mm mounting center
<b>Drive</b>	Blade Ø9.53 x 2.16 wide
<b>Termination</b>	Flying leads, wire harness w/connector or integral connector (see ordering options)

### Electrical

<b>Active Electrical Angle</b>	15°-360° in 15° increments (no spring)
<b>Input Voltage</b>	5VDC ±5%, 9-30VDC or 15-30VDC
<b>Input Current</b>	(per channel) 16mA maximum except for Current Loop option at 36mA max
<b>Overvoltage</b>	5V Input: 20VDC 9-30V Input: 70V per ISO 7637-2
<b>Output Signal</b>	<b>Analog:</b> 1) ratiometric 5% to 95% or 10% to 90% 2) non-ratiometric 0-10VDC, 0-5VDC, 0.5-4.5VDC
	<b>PWM:</b> duty cycle 5% to 95% or 10% to 90%
	<b>Current:</b> 4-20 mA (3-wire)
<b>Output Load</b>	<b>Analog &amp; PWM:</b> 10kOhm resistive minimum
	<b>Current:</b> 4000hm resistive maximum
<b>Resolution</b>	0.088 degrees (12-bit)
<b>Accuracy</b>	±0.6% of Active Electrical Angle at room temperature ±0.9% of Active Electrical Angle at temperature

<b>EMC</b>	200 V/m
<b>External Magnetic Susceptibility</b>	20G

**Environmental**

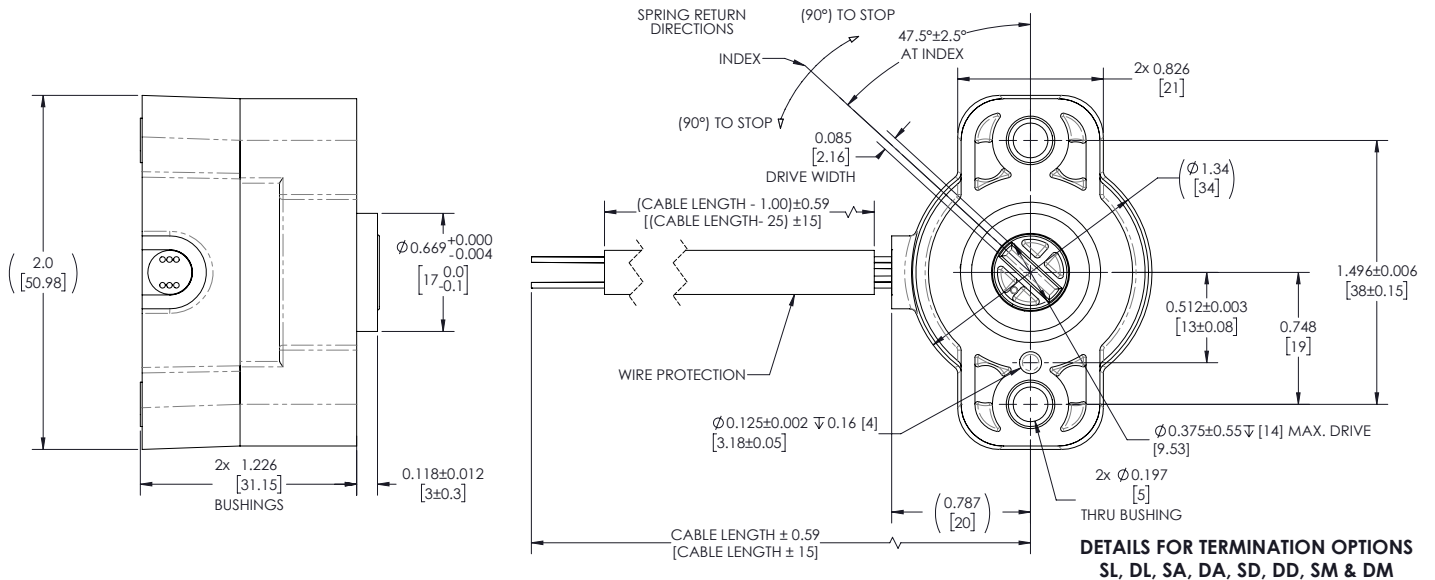
<b>Sealing</b>	IP67, IP69K
<b>Side Load</b>	1kg (1 million cycles)
<b>Temperature Range</b>	<b>Operating Temperature:</b> -40°C to +125°C 4-20mA versions 9J, 9K, & 9X1: -40°C to 85°C
	<b>Storage Temperature:</b> -55°C to +150°C
<b>Mechanical Resistance</b>	<b>Vibration:</b> 10G peak, 10-2000 Hz
	<b>Shock:</b> 50Gs, half sine pulse, 11 m sec duration



**DIMENSIONS**

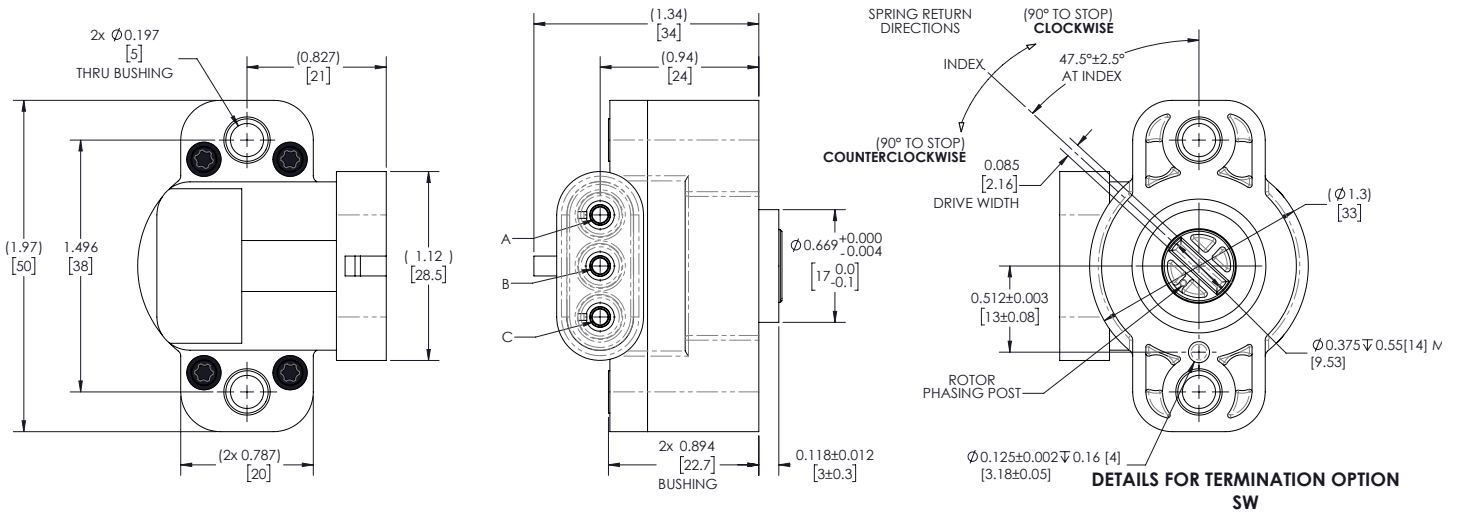
All dimensions are in INCHES [MM].  
 Tolerances unless otherwise noted.. X.XX= ± .012 [±0.3] X.XXX= ± .005[±0.13]

**SL, DL, OPTION**



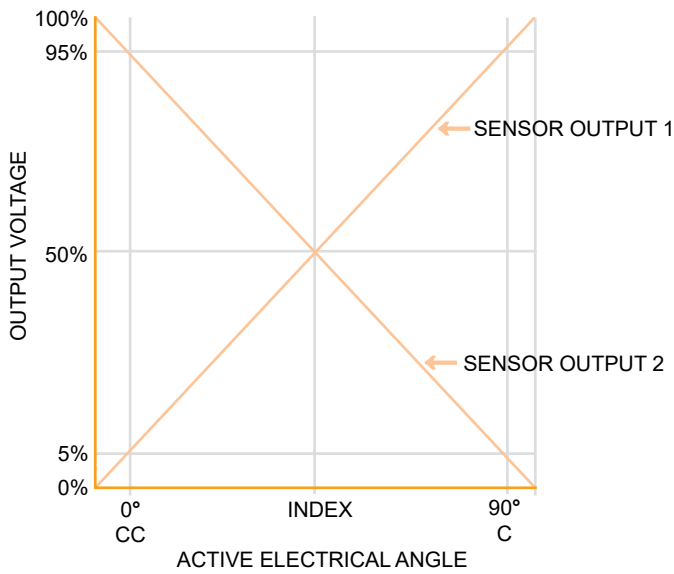
# SW OPTION

For other pinout options refer to the pinout and connector sections following the ordering options on the pages following



## OUTPUT WAVEFORMS

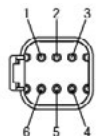
(OPTION 5A WITH 90° ELECTRICAL ANGLE SHOWN)



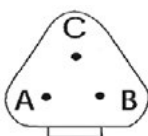
## PIN OUT DRAWINGS

All dimensions are in INCHES [MM].

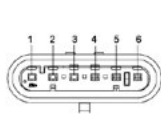
1 (DD)



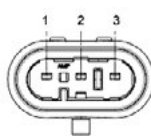
2 (SD)



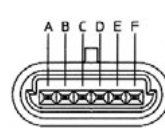
3 (DA)



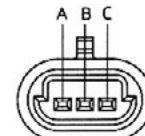
4 (SA)



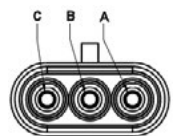
5 (DM)



6 (SM)



7 (SW)





## CONNECTOR PIN OUT

Dwg 1	Dwg 2	Dwg 3	Dwg 4	Dwg 5	Dwg 6	Dwg 7	Flying Lead	Flying Lead		
Pin Number							3-Wire	6-Wire	Wire Color	Function
1	A	1	1	E	A	A	•	•	Brown	GND 1
2	B	2	2	F	B	C	•	•	Red	Supply Voltage 1
3	C	3	3	C	C	B	•	•	Orange	Sensor 1 Output
4		4		A				•	Green	Ground 2
5		5		B				•	Blue	Supply Voltage 2
6		6		D				•	Yellow	Sensor 2 Output



## CONNECTOR PART NUMBERS AND MATES

Dwg	Connector	Mates to
1	Deutsch: DT04-6P	DT06-6S
2	Deutsch: DT04-3P	DT06-3S
3	Amp Superseal: 1.5V; 282108-1	282090-1
4	Amp Superseal: 1.5V; 282105-1	282087-1
5	Packard Electric Metripack 150.2	12162210
6	Packard Electric Metripack 150.2	12162182
7	Packard Electric Weather Pack	12015793



# ORDERING OPTIONS

Use this diagram, working from left to right to construct your model number

(PWM example: 9960-015-C-5EP1-SL150)  
(Ratiometric example: 9960-180-NS-SA-DD300)  
(Reprogrammable example: 9960-X-C-9X2-DA450)

9960

## Family

9960

## Standard Electrical Angles

**Standard Angles:** 015, 030, 045, 060, 075, 090, 105, 120, 135, 150, 165, 180, 195, 210, 225, 240, 255, 270, 285, 300, 315, 330, 345, 360  
**X:** Programmable Angle (used with I/O options 5X1, 5X2, 9X1, 9X2, 15X)  
NOTE: Other angles available, (Ex: 015 = 15°±7.5; 360 = 360°±180) consult factory

## Spring/ Rotor Return Direction

**C:** CLOCKWISE SPRING RETURN\*  
**CC:** COUNTERCLOCKWISE SPRING RETURN\*  
**NS:** NO SPRING RETURN, CONTINUOUS ROTATION  
\* Spring return: available for active electrical angles 15° to 165°, not available from 180° to 360°.

## Input/ Output (I/O)

### 5 VDC IN, Ratiometric Voltage OUT

**5A:** SENSOR1: 5% to 95%; SENSOR2: 95% to 5%  
**5B:** SENSOR1: 95% to 5%; SENSOR2: 5% to 95%  
**5C:** SENSOR1: 10% to 90%; SENSOR2: 90% to 10%  
**5D:** SENSOR1: 90% to 10%; SENSOR2: 10% to 90%  
**5X1:** SENSOR1 and SENSOR2: Programmable

### 5 VDC IN, PWM OUT

**5E:** SENSOR1: 5% to 95%; SENSOR2: 95% to 5%  
**5F:** SENSOR1: 95% to 5%; SENSOR2: 5% to 95%  
**5G:** SENSOR1: 10% to 90%; SENSOR2: 90% to 10%  
**5H:** SENSOR1: 90% to 10%; SENSOR2: 10% to 90%  
**5X2:** SENSOR1 and SENSOR2: Programmable

### 9-30 VDC IN, CURRENT OUT\*\*

**9J:** SENSOR1: 4-20 mA; SENSOR2: 20-4 mA

**9K:** SENSOR1: 20-4 mA, SENSOR2: 4-20 mA

**9X1:** SENSOR1 and SENSOR2: Programmable

### 9-30 VDC IN, VOLTAGE OUT\*\*

**9L:** SENSOR1: 0-5 VDC, SENSOR2: 5-0 VDC  
**9M:** SENSOR1: 5-0 VDC, SENSOR2: 0-5 VDC  
**9N:** SENSOR1: 0.5-4.5 VDC, SENSOR2: 4.5-0.5 VDC  
**9R:** SENSOR1: 4.5-0.5 VDC, SENSOR2: 0.5-4.5 VDC  
**9X2:** SENSOR1 and SENSOR2: Programmable  
**15-30 VDC IN, VOLTAGE OUT**  
**15S:** SENSOR1: 0-10 VDC, SENSOR2: 10-0 VDC  
**15T:** SENSOR1: 10-0 VDC, SENSOR2: 0-10 VDC  
**15X:** SENSOR1 and SENSOR2: Programmable\*\*  
NOTE: Output with clockwise rotation of rotor.  
SENSOR1 specifies single SENSOR option

## PWM Frequency

(Used with 5E, 5F, 5G, 5H and 5X2 I/O options only; leave blank for other output options)

**P1:** 100 Hz  
**P2:** 200 Hz  
**P3:** 500 Hz  
**P4:** 1000 Hz

## Number of Outputs and Termination Options

**SL:** Single Output, Flying Leads  
**DL:** Dual Output, Flying Leads  
**SA:** Single Output, Cable W/Tyco AMP Superseal 1.5 Series\*  
**DA:** Dual Output, CableW/ Tyco AMP Superseal 1.5 Series \*  
**SD:** Single Output, Cable W/Deutsh DT04 Series \*  
**DD:** Dual Output, Cable W/Deutsh DT04 Series \*  
**SM:** Single Output, Cable W/ Packard Electric Metripack 150 Series\*  
**DM:** Dual Output, Cable W/ Packard Electric Metripack 150 Series\*  
**SW:** Single Output, Integral 3-PIN Weatherpack Connector (no cable length necessary)\*\*  
\* Single Outputs= 3-PIN, Dual Output= 6-PIN  
\*\*SW not available on 9-30 VDC IN, Current Out; 9-30 VDC IN, Voltage Out and 15X specification.

## Cable Length

**150:** 150mm (~6 inches)  
**300:** 300mm (~12 inches)  
**450:** 450mm (~18 inches)  
NOTE: Other lengths available, consult factory

## Wire protection

**Blank:** No Wire protection  
**C:** Convoluted tubing  
**T:** Shrinkable tubing

Sensata Technologies, Inc. ("Sensata") data sheets are solely intended to assist designers ("Buyers") who are developing systems that incorporate Sensata products (also referred to herein as "components"). Buyer understands and agrees that Buyer remains responsible for using its independent analysis, evaluation and judgment in designing Buyer's systems and products. Sensata data sheets have been created using standard laboratory conditions and engineering practices. Sensata has not conducted any testing other than that specifically described in the published documentation for a particular data sheet. Sensata may make corrections, enhancements, improvements and other changes to its data sheets or components without notice.

Buyers are authorized to use Sensata data sheets with the Sensata component(s) identified in each particular data sheet. HOWEVER, NO OTHER LICENSE, EXPRESS OR IMPLIED, BY ESTOPPEL OR OTHERWISE TO ANY OTHER SENSATA INTELLECTUAL PROPERTY RIGHT, AND NO LICENSE TO ANY THIRD PARTY TECHNOLOGY OR INTELLECTUAL PROPERTY RIGHT, IS GRANTED HEREIN. SENSATA DATA SHEETS ARE PROVIDED "AS IS". SENSATA MAKES NO WARRANTIES OR REPRESENTATIONS WITH REGARD TO THE DATA SHEETS OR USE OF THE DATA SHEETS, EXPRESS, IMPLIED OR STATUTORY, INCLUDING ACCURACY OR COMPLETENESS. SENSATA DISCLAIMS ANY WARRANTY OF TITLE AND ANY IMPLIED WARRANTIES OF MERCHANTABILITY, FITNESS FOR A PARTICULAR PURPOSE, QUIET ENJOYMENT, QUIET POSSESSION, AND NON-INFRINGEMENT OF ANY THIRD PARTY INTELLECTUAL PROPERTY RIGHTS WITH REGARD TO SENSATA DATA SHEETS OR USE THEREOF.

All products are sold subject to Sensata's terms and conditions of sale supplied at [www.sensata.com](http://www.sensata.com) SENSATA ASSUMES NO LIABILITY FOR APPLICATIONS ASSISTANCE OR THE DESIGN OF BUYERS' PRODUCTS. BUYER ACKNOWLEDGES AND AGREES THAT IT IS SOLELY RESPONSIBLE FOR COMPLIANCE WITH ALL LEGAL, REGULATORY AND SAFETY-RELATED REQUIREMENTS CONCERNING ITS PRODUCTS, AND ANY USE OF SENSATA COMPONENTS IN ITS APPLICATIONS, NOTWITHSTANDING ANY APPLICATIONS-RELATED INFORMATION OR SUPPORT THAT MAY BE PROVIDED BY SENSATA.

Mailing Address: Sensata Technologies, Inc., 529 Pleasant Street, Attleboro, MA 02703, USA.

## CONTACT US

### Americas

+1 (800) 350 2727

[sensors@sensata.com](mailto:sensors@sensata.com)

### Europe, Middle East & Africa

+33 (3) 88 20 8080

[position-info.eu@sensata.com](mailto:position-info.eu@sensata.com)

### Asia Pacific

[sales.isasia@list.sensata.com](mailto:sales.isasia@list.sensata.com)

China +86 (21) 2306 1500

Japan +81 (45) 277 7117

Korea +82 (31) 601 2004

India +91 (80) 67920890

Rest of Asia +886 (2) 27602006  
ext 2808