

TSTFT3.5Z

(Touch Panel)

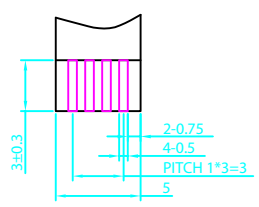
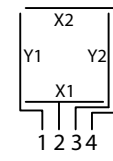
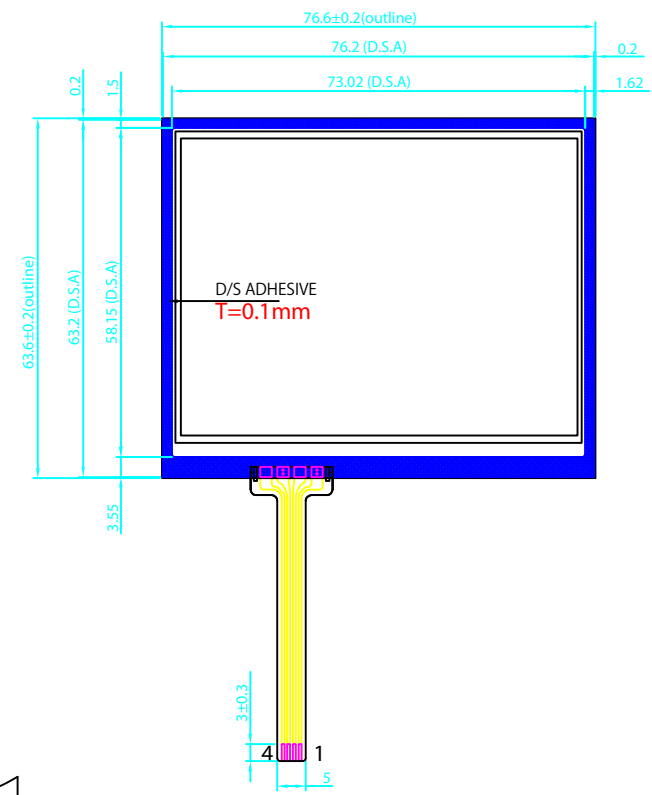
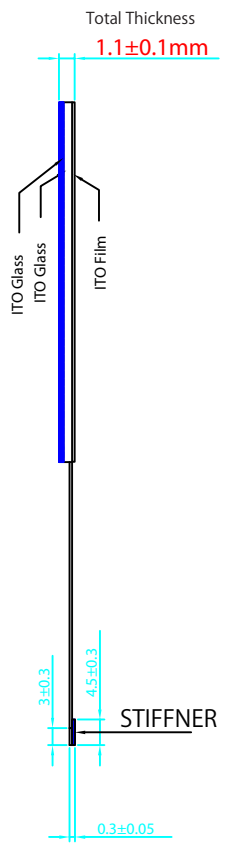
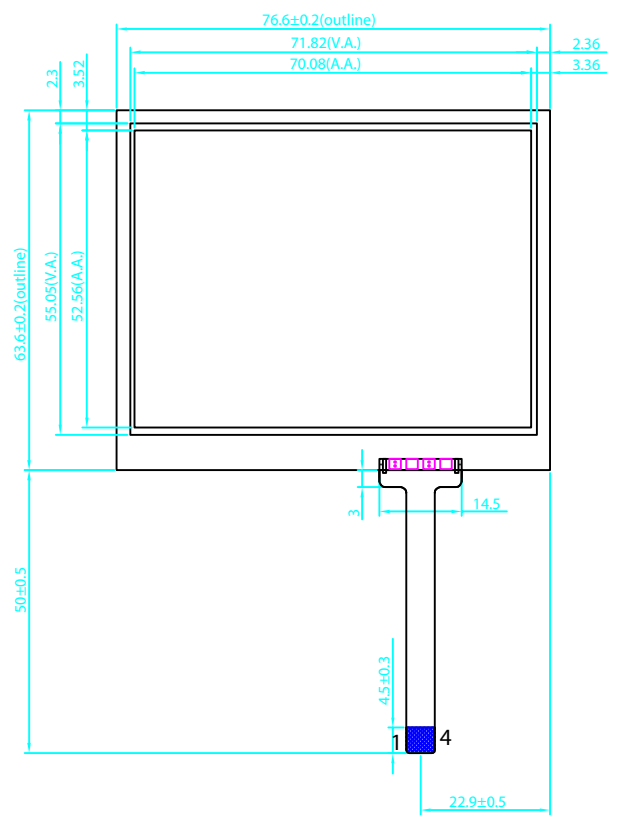
RoHS Compliant

For product support, contact

Newhaven Display International
2511 Technology Drive #101
Elgin, IL 60124
Tel: (847) 844-8795 Fax: (847) 844-8796

March 31, 2010

RevNo	Revision note	Date	Signature	Checked
-------	---------------	------	-----------	---------



- 1 . GLASS THICKNESS: 0.7mm
- 2 . Operating Temperature: - 10°C ~ +60°C, Storage Temperature: -20°C ~ +70°C
- 3 . Linearity: $\leq \pm 1.5\%$
- 4 . Transmittance: $>75\%$
- 5 . Circuit Resistance: X:200 ~ 900Ω, Y: 200 ~ 900Ω
- 6 . Surface Hardness: ($\geq 3H$)
- 7 . Durability: $>1,000,000$ Touches
- 8 . RoHS

THIRD ANGLE PROJECTION		Dimensions	Scale	Newhaven Display International	
		mm	1:1		
NAME	DATE				
APPROVE	2010.03.31	Dwg Name	Dwg No.	Touch Panel TSTFT3.5Z	
CHECK	2010.03.31	Customer Name	Customer No.		
DESIGN	2010.03.30				
DRAWN	2010.03.30				