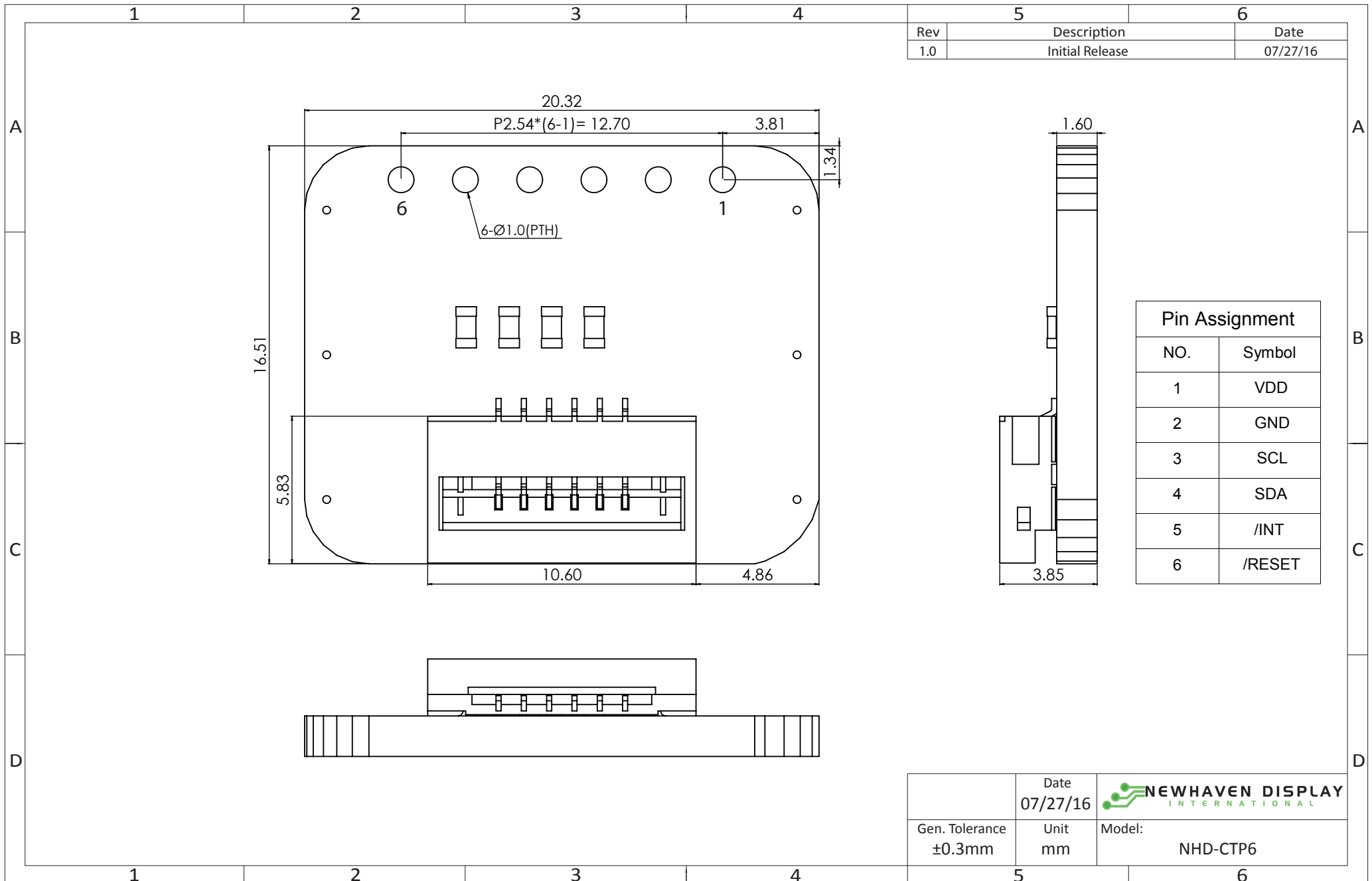
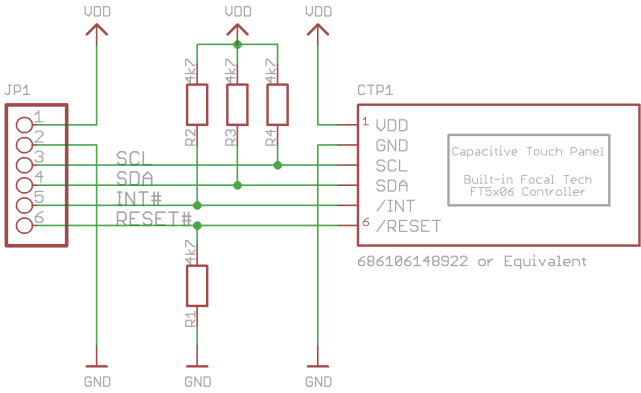


Mechanical Drawing



Schematic



NHD-CTP6

8/26/2016 12:32:57 PM Drawn: P.Bartek

Revision: 1.0 Sheet: 1/1

Released under the Creative Commons Attribution Share-Alike 4.0 License
<http://creativecommons.org/licenses/by-sa/4.0>



open hardware