

2.5V Wide Range Frequency Clock Driver (45MHz - 233MHz)

Recommended Application:

- Heavy loaded/4 rank
- DDR Memory Modules / Zero Delay Board Fan Out
- Provides complete DDR registered DIMM solution with ICSSTVF16857, ICSSTVF16859 or ICSSTVA32852

Product Description/Features:

- Higher drive than the 95V857 series devices
- Low skew, low jitter PLL clock driver
- 1 to 10 differential clock distribution (SSTL_2)
- Feedback pins for input to output synchronization
- PD# for power management
- Spread Spectrum-tolerant inputs
- Auto PD when input signal removed

Specifications:

- Meets PC3200 Class A+ specification for DDR-I 400 support
- Covers all DDRI speed grades

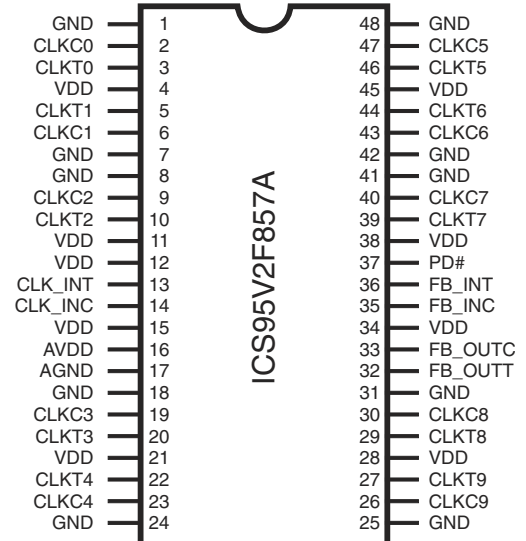
Switching Characteristics:

- CYCLE - CYCLE jitter: <50ps
- OUTPUT - OUTPUT skew: <40ps
- Period jitter: ±30ps

Functionality

| INPUTS | | | | OUTPUTS | | | | PLL State |
|------------|-----|-----------------------|---------|---------|------|---------|---------|--------------|
| AVDD | PD# | CLK_INT | CLK_INC | CLKT | CLKC | FB_OUTT | FB_OUTC | |
| GND | H | L | H | L | H | L | H | Bypassed/off |
| GND | H | H | L | H | L | H | L | Bypassed/off |
| 2.5V (nom) | L | L | H | Z | Z | Z | Z | off |
| 2.5V (nom) | L | H | L | Z | Z | Z | Z | off |
| 2.5V (nom) | H | L | H | L | H | L | H | on |
| 2.5V (nom) | H | H | L | H | L | H | L | on |
| 2.5V (nom) | X | <20MHz ⁽¹⁾ | | Z | Z | Z | Z | off |

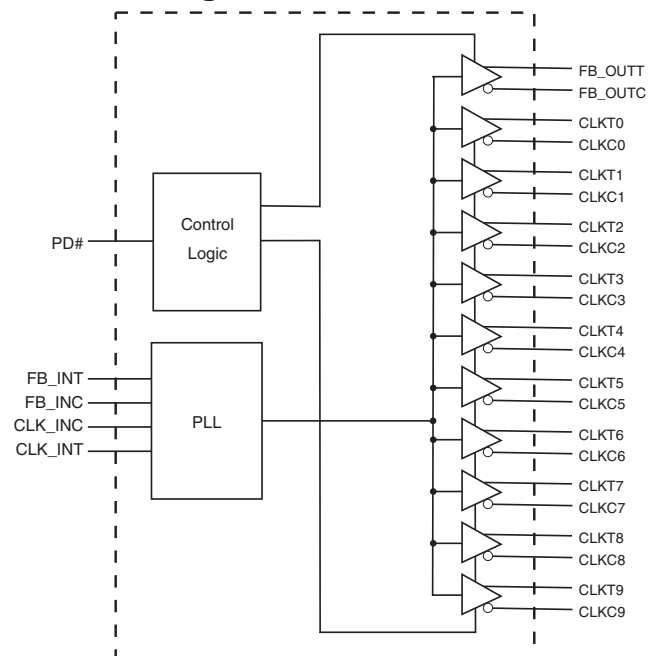
Pin Configuration



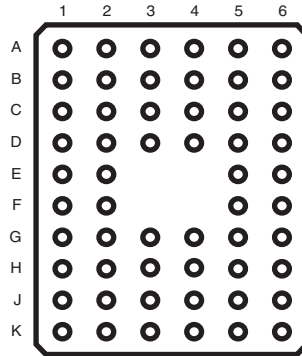
48-Pin TSSOP/TVSOP

6.10 mm Body, 0.50 mm Pitch = TSSOP
4.40 mm Body, 0.40 mm Pitch = TVSOP

Block Diagram

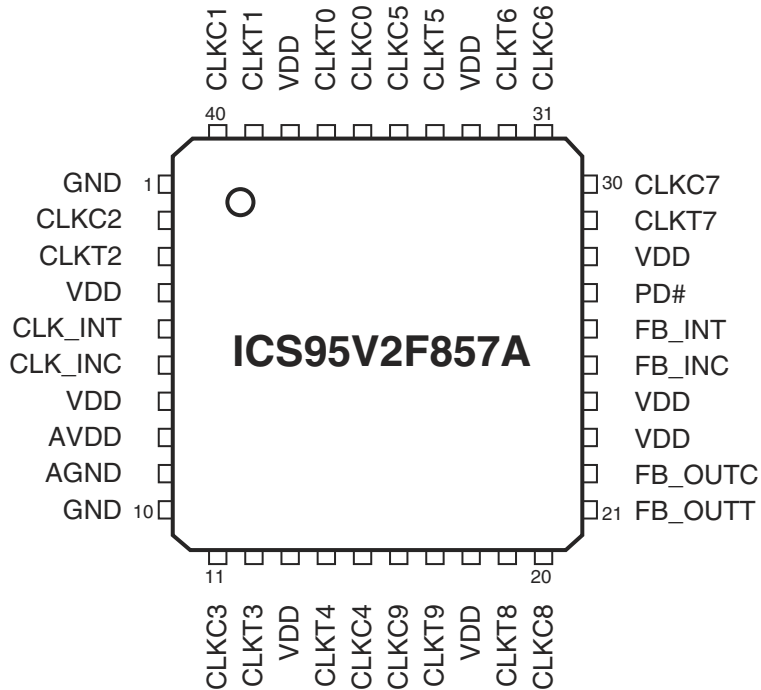


Pin Configuration



| | 1 | 2 | 3 | 4 | 5 | 6 |
|---|---------|---------|-----|-----|---------|---------|
| A | CLKT0 | CLKC0 | GND | GND | CLKC5 | CLKT5 |
| B | CLKC1 | CLKT1 | VDD | VDD | CLKT6 | CLKC6 |
| C | GND | GND | NC | NC | GND | GND |
| D | CLKT2 | CLKC2 | NC | NC | CLKC7 | CLKT7 |
| E | VDD | VDD | NB | NB | VDD | PD# |
| F | CLK_INT | CLK_INC | NB | NB | FB_INC | FB_INT |
| G | VDD | AVDD | NC | NC | FB_OUTC | VDD |
| H | AGND | GND | NC | NC | GND | FB_OUTT |
| J | CLKC3 | CLKT3 | VDD | VDD | CLKT8 | CLKC8 |
| K | CLKT4 | CLKC4 | GND | GND | CLKC9 | CLKT9 |

56-Ball BGA



40-Pin MLF

Pin Descriptions

| PIN NAME | TYPE | DESCRIPTION |
|-----------|------|---|
| VDD | PWR | Power supply, 2.5V |
| GND | PWR | Ground |
| AVDD | PWR | Analog power supply, 2.5V |
| AGND | PWR | Analog ground |
| CLKT(9:0) | OUT | "True" Clock of differential pair outputs |
| CLKC(9:0) | OUT | "Complementary" clocks of differential pair outputs |
| CLK_INC | IN | "Complementary" reference clock input |
| CLK_INT | IN | "True" reference clock input |
| FB_OUTC | OUT | "Complementary" Feedback output, dedicated for external feedback. It switches at the same frequency as the CLK. This output must be wired to FB_INC |
| FB_OUTT | OUT | "True" Feedback output, dedicated for external feedback. It switches at the same frequency as the CLK. This output must be wired to FB_INT |
| FB_INT | IN | "True" Feedback input, provides feedback signal to the internal PLL for synchronization with CLK_INT to eliminate phase error |
| FB_INC | IN | "Complementary" Feedback input, provides signal to the internal PLL for synchronization with CLK_INC to eliminate phase error |
| PD# | IN | Power Down. LVCMOS input |

This PLL Clock Buffer is designed for a V_{DD} of 2.5V, an AV_{DD} of 2.5V and differential data input and output levels.

The **ICS95V2F857A** is a zero delay buffer that distributes a differential clock input pair (CLK_INC, CLK_INT) to ten differential pair of clock outputs (CLKT[0:9], CLKC[0:9]) and one differential pair feedback clock output (FB_OUT, FB_OUTC). The clock outputs are controlled by the input clocks (CLK_INC, CLK_INT), the feedback clocks (FB_INT, FB_INC), the 2.5-V LVCMOS input (PD#) and the Analog Power input (AV_{DD}). When input (PD#) is low while power is applied, the receivers are disabled, the PLL is turned off and the differential clock outputs are tri-stated. When AV_{DD} is grounded, the PLL is turned off and bypassed for test purposes.

When the input frequency is less than the operating frequency of the PLL, approximately 20MHz, the device will enter a low power mode. An input frequency detection circuit on the differential inputs, independent from the input buffers, will detect the low frequency condition and perform the same low power features as when the (PD#) input is low. When the input frequency increases to greater than approximately 20 MHz, the PLL will be turned back on, the inputs and outputs will be enabled and PLL will obtain phase lock between the feedback clock pair (FB_INT, FB_INC) and the input clock pair (CLK_INC, CLK_INT).

The PLL to the **ICS95V2F857A** clock driver uses the input clocks (CLK_INC, CLK_INT) and the feedback clocks (FB_INT, FB_INC) provide high-performance, low-skew, low-jitter, output differential clocks (CLKT[0:9], CLKC[0:9]). The **ICS95V2F857A** is also able to track Spread Spectrum Clock (SSC) for reduced EMI.

The **ICS95V2F857A** is characterized for operation from 0°C to 85°C, and will meet JEDEC Standard 82-1 and 82-1A Class A+ for registered DDR clock drivers.

Absolute Maximum Ratings

| | |
|-------------------------------|---------------------------------------|
| Supply Voltage (VDD & AVDD) | -0.5V to 4.6V |
| Logic Inputs | GND -0.5 V to V _{DD} + 0.5 V |
| Ambient Operating Temperature | 0°C to +85°C |
| Storage Temperature | -65°C to +150°C |

Stresses above those listed under *Absolute Maximum Ratings* may cause permanent damage to the device. These ratings are stress specifications only and functional operation of the device at these or any other conditions above those listed in the operational sections of the specifications is not implied. Exposure to absolute maximum rating conditions for extended periods may affect product reliability.

Electrical Characteristics - Input/Supply/Common Output Parameters

T_A = 0 - 85°C; Supply Voltage A_{VDD}, V_{DD} = 2.5V ± 0.2V

| PARAMETER | SYMBOL | CONDITIONS | MIN | TYP | MAX | UNITS |
|---------------------------------|--------------------|---|------------------------|-----|------|-------|
| Input High Current | I _{IH} | V _I = V _{DD} or GND | 5 | | | μA |
| Input Low Current | I _{IL} | V _I = V _{DD} or GND | | | 5 | μA |
| Operating Supply Current | I _{DD2.5} | C _L = 0pf @ 200MHz | | 155 | 175 | mA |
| | I _{DDPD} | C _L = 0pf | | | 100 | μA |
| Output High Current | I _{OH} | V _{DD} = 2.3V, V _{OUT} = 1V | -18 | -32 | | mA |
| Output Low Current | I _{OL} | V _{DD} = 2.3V, V _{OUT} = 1.2V | 26 | 35 | | mA |
| High Impedance Output Current | I _{OZ} | V _{DD} =2.7V, V _{out} =V _{DD} or GND | | | ±10 | mA |
| Input Clamp Voltage | V _{IK} | V _{DDQ} = 2.3V I _{in} = -18mA | | | -1.2 | V |
| High-level output voltage | V _{OH} | V _{DD} = min to max, I _{OH} = -1 mA | V _{DDQ} - 0.1 | | | V |
| | | V _{DDQ} = 2.3V, I _{OH} = -12 mA | 1.7 | | | V |
| Low-level output voltage | V _{OL} | V _{DD} = min to max I _{OL} =1 mA | | | 0.1 | V |
| | | V _{DDQ} = 2.3V I _{OH} =12 mA | | | 0.6 | V |
| Input Capacitance ¹ | C _{IN} | V _I = GND or V _{DD} | | 3 | | pF |
| Output Capacitance ¹ | C _{OUT} | V _{OUT} = GND or V _{DD} | | 3 | | pF |

¹Guaranteed by design at 220MHz, not 100% tested in production.

Recommended Operating Condition (see note 1)

$T_A = 0 - 85^\circ\text{C}$; Supply Voltage AVDD, VDD = 2.5 V +/- 0.2V (unless otherwise stated)

| PARAMETER | SYMBOL | CONDITIONS | MIN | TYP | MAX | UNITS |
|--|-------------------|--------------------|-------------------|------------|-------------------|------------------|
| Supply Voltage | V_{DD}, A_{VDD} | | 2.3 | 2.5 | 2.7 | V |
| Low level input voltage | V_{IL} | CLKT, CLKC, FB_INC | | 0.4 | $V_{DD}/2 - 0.18$ | V |
| | | PD# | -0.3 | | 0.7 | V |
| High level input voltage | V_{IH} | CLKT, CLKC, FB_INC | $V_{DD}/2 + 0.18$ | 2.1 | | V |
| | | PD# | 1.7 | | $V_{DD} + 0.6$ | V |
| DC input signal voltage (note 2) | V_{IN} | | -0.3 | | $V_{DD} + 0.3$ | V |
| Differential input signal voltage (note 3) | V_{ID} | DC - CLKT, FB_INT | 0.36 | | $V_{DD} + 0.6$ | V |
| | | AC - CLKT, FB_INT | 0.7 | | $V_{DD} + 0.6$ | V |
| Output differential cross-voltage (note 4) | V_{OX} | | $V_{DD}/2 - 0.15$ | | $V_{DD}/2 + 0.15$ | V |
| Input differential cross-voltage (note 4) | V_{IX} | | $V_{DD}/2 - 0.2$ | $V_{DD}/2$ | $V_{DD}/2 + 0.2$ | V |
| High level output current | I_{OH} | | | | -30 | mA |
| Low level output current | I_{OL} | | | | -30 | mA |
| Operating free-air temperature | T_A | | 0 | | 85 | $^\circ\text{C}$ |

Notes:

1. Unused inputs must be held high or low to prevent them from floating.
2. DC input signal voltage specifies the allowable DC execution of differential input.
3. Differential inputs signal voltages specifies the differential voltage [VTR-VCP] required for switching, where VT is the true input level and VCP is the complementary input level.
4. Differential cross-point voltage is expected to track variations of V_{DD} and is the voltage at which the differential signal must be crossing.

Timing Requirements

$T_A = 0 - 85^\circ\text{C}$; Supply Voltage A_{VDD} , $V_{DD} = 2.5\text{ V} \pm 0.2\text{V}$ (unless otherwise stated)

| PARAMETER | SYMBOL | CONDITIONS | MIN | MAX | UNITS |
|-----------------------------|---------------------|--|-----|-----|---------------|
| Max clock frequency | freq_{op} | $2.5\text{V} \pm 0.2\text{V} @ 25^\circ\text{C}$ | 45 | 233 | MHz |
| Application Frequency Range | freq_{App} | $2.5\text{V} \pm 0.2\text{V} @ 25^\circ\text{C}$ | 95 | 220 | MHz |
| Input clock duty cycle | d_{tin} | | 40 | 60 | % |
| CLK stabilization | T_{STAB} | | | 15 | μs |

Switching Characteristics (see note 3)

| PARAMETER | SYMBOL | CONDITION | MIN | TYP | MAX | UNITS |
|--|---------------------------------|----------------------|------|-----|-----|-------|
| Low-to high level propagation delay time | t_{PLH}^1 | CLK_IN to any output | | 3.5 | | ns |
| High-to low level propagation delay time | t_{PLL}^1 | CLK_IN to any output | | 3.5 | | ns |
| Output enable time | t_{EN} | PD# to any output | | 3 | | ns |
| Output disable time | t_{dis} | PD# to any output | | 3 | | ns |
| Period jitter | $T_{jit(per)}$ | 100MHz to 200MHz | -30 | | 30 | ps |
| Half-period jitter | $t(jit_hper)$ | 100MHz to 200MHz | -100 | | 100 | ps |
| Input clock slew rate | $t_{sl(i)}$ | | 1 | | 4 | V/ns |
| Output clock slew rate | $t_{sl(o)}$ | | 1 | | 2 | V/ns |
| Cycle to Cycle Jitter ¹ | $T_{cyc} - T_{cyc}$ | 100MHz to 200MHz | -50 | | 50 | ps |
| Static Phase Offset | $t_{(static\ phase\ offset)}^4$ | | -50 | 0 | 50 | ps |
| Output to Output Skew | T_{skew} | | | | 40 | ps |

Notes:

- Refers to transition on noninverting output in PLL bypass mode.
- While the pulse skew is almost constant over frequency, the duty cycle error increases at higher frequencies. This is due to the formula: $\text{duty cycle} = t_{wH}/t_c$, where the cycle (t_c) decreases as the frequency goes up.
- Switching characteristics guaranteed for application frequency range.
- Static phase offset shifted by design.

Parameter Measurement Information

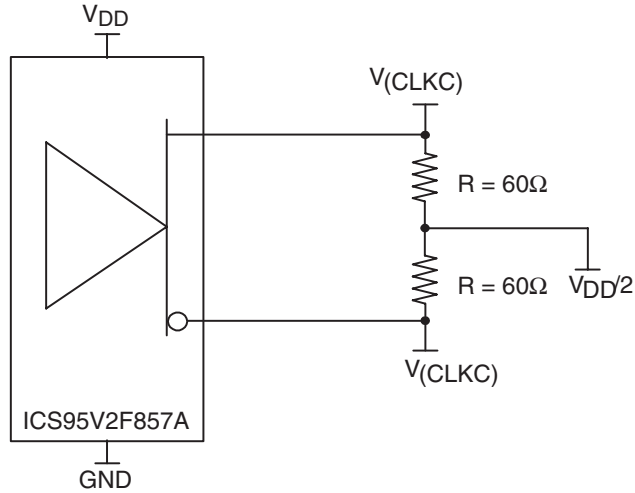
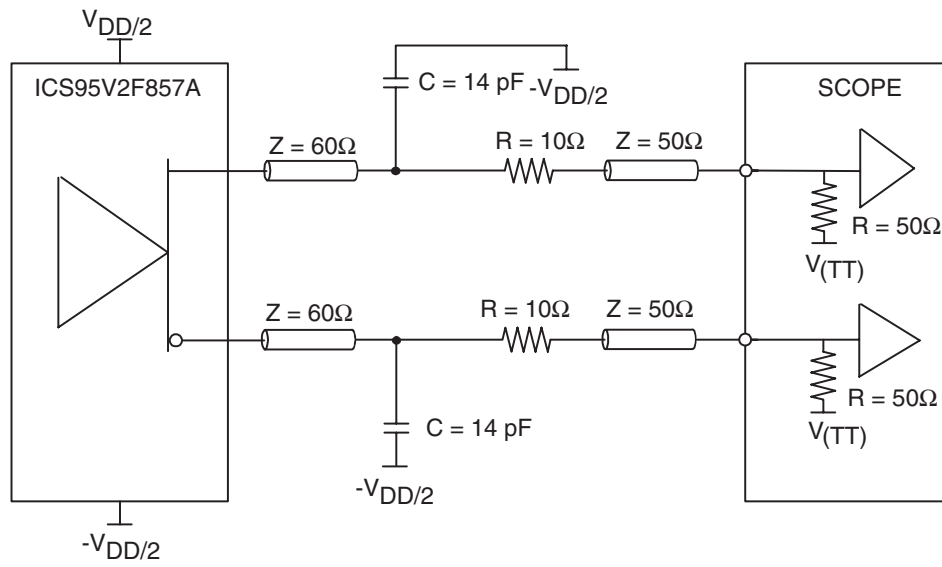


Figure 1. IBIS Model Output Load



NOTE: $V_{(TT)} = \text{GND}$

Figure 2. Output Load Test Circuit

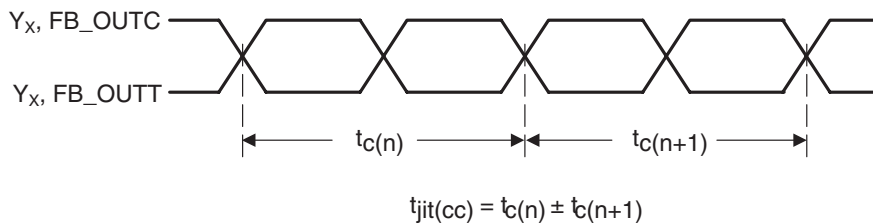


Figure 3. Cycle-to-Cycle Jitter

Parameter Measurement Information

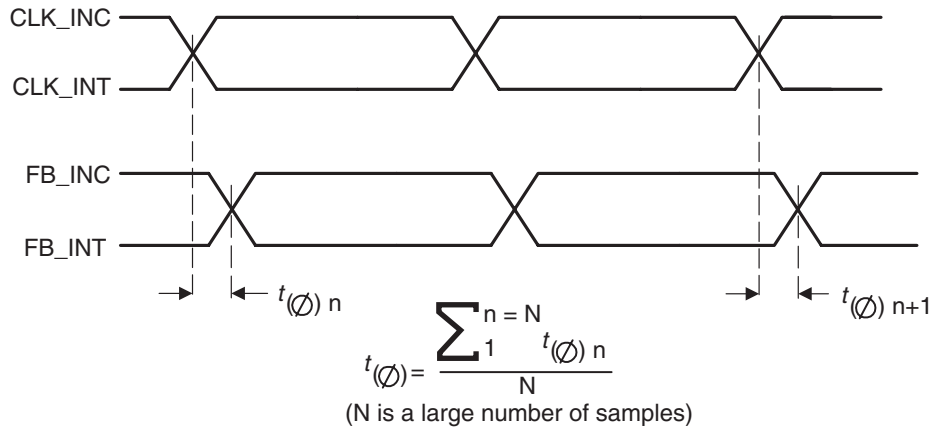


Figure 4. Static Phase Offset

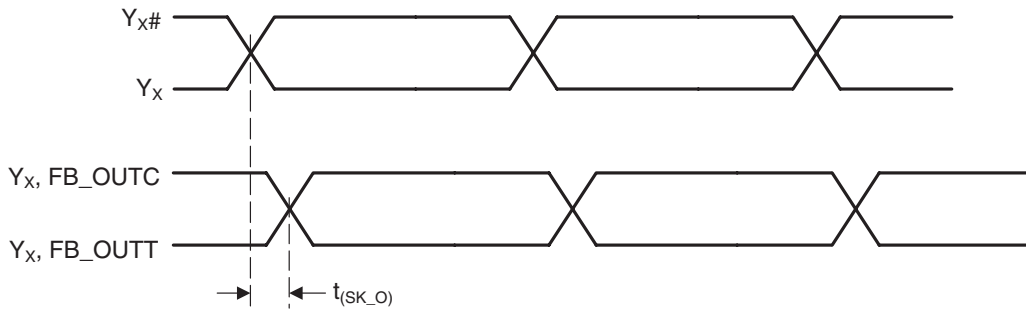


Figure 5. Output Skew

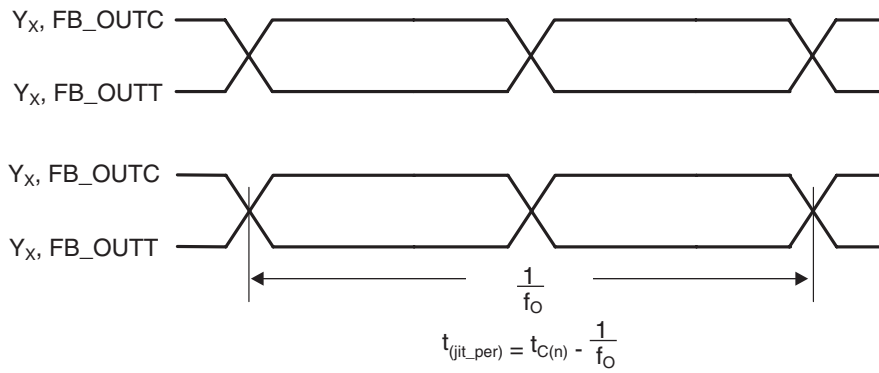


Figure 6. Period Jitter

Parameter Measurement Information

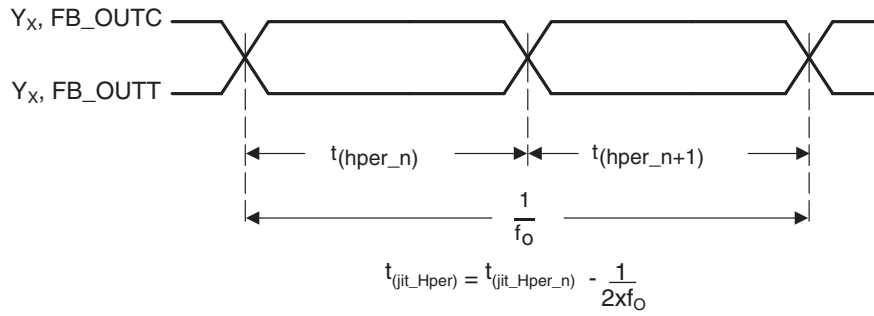


Figure 7. Half-Period Jitter

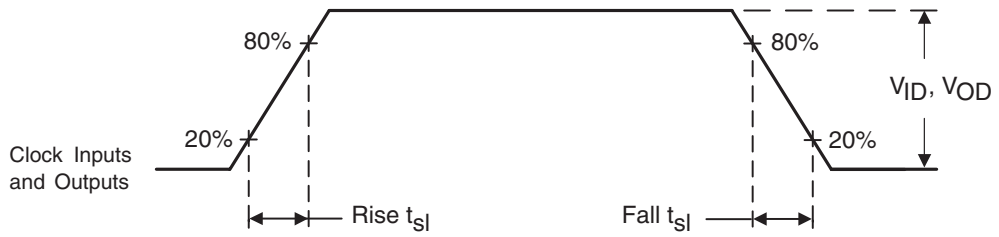
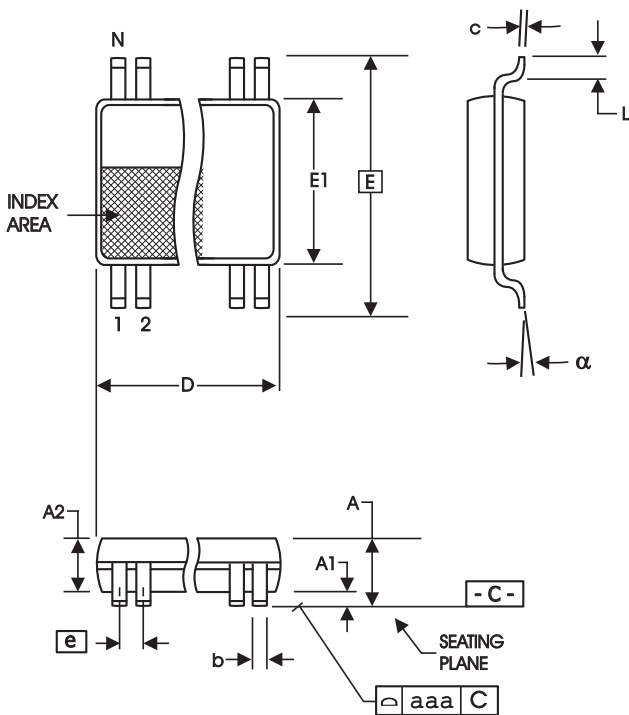


Figure 8. Input and Output Slew Rates



6.10 mm. Body, 0.50 mm. pitch TSSOP
(240 mil) (0.020 mil)

| SYMBOL | In Millimeters | | In Inches | |
|--------|----------------|------|----------------|------|
| | MIN | MAX | MIN | MAX |
| A | -- | 1.20 | -- | .047 |
| A1 | 0.05 | 0.15 | .002 | .006 |
| A2 | 0.80 | 1.05 | .032 | .041 |
| b | 0.17 | 0.27 | .007 | .011 |
| c | 0.09 | 0.20 | .0035 | .008 |
| D | SEE VARIATIONS | | SEE VARIATIONS | |
| E | 8.10 BASIC | | 0.319 BASIC | |
| E1 | 6.00 | 6.20 | .236 | .244 |
| e | 0.50 BASIC | | 0.020 BASIC | |
| L | 0.45 | 0.75 | .018 | .030 |
| N | SEE VARIATIONS | | SEE VARIATIONS | |
| a | 0° | 8° | 0° | 8° |
| aaa | -- | 0.10 | -- | .004 |

VARIATIONS

| N | D mm. | | D (inch) | |
|----|-------|-------|----------|------|
| | MIN | MAX | MIN | MAX |
| 48 | 12.40 | 12.60 | .488 | .496 |

Reference Doc.: JEDEC Publication 95, MO-153

10-0039

Ordering Information

Example:

ICS95V2F857AG(LF)T

ICS XXXX y G - (LF) - T

Designation for tape and reel packaging

Lead Free (Optional)

Package Type

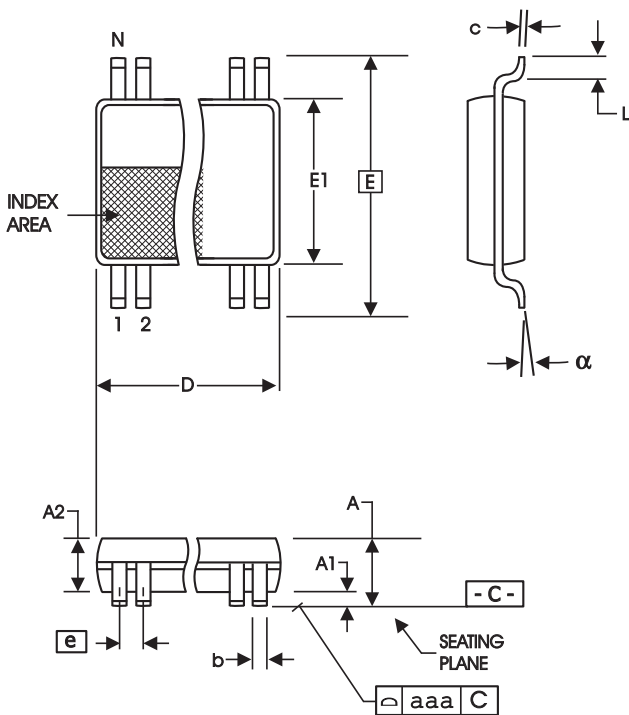
G = TSSOP

Revision Designator (Ex. A, B, C, etc. Please check with salesperson for latest revision)

Device Type

Prefix

ICS = Standard Device



4.40 mm. Body, 0.40 mm. pitch TSSOP
(173 mil) (16 mil)

| SYMBOL | In Millimeters | | In Inches | |
|--------|-------------------|-------------------|-------------------|-------------------|
| | COMMON DIMENSIONS | COMMON DIMENSIONS | COMMON DIMENSIONS | COMMON DIMENSIONS |
| | MIN | MAX | MIN | MAX |
| A | -- | 1.20 | -- | .047 |
| A1 | 0.05 | 0.15 | .002 | .006 |
| A2 | 0.80 | 1.05 | .032 | .041 |
| b | 0.13 | 0.23 | .005 | .009 |
| c | 0.09 | 0.20 | .0035 | .008 |
| D | SEE VARIATIONS | | SEE VARIATIONS | |
| E | 6.40 BASIC | | 0.252 BASIC | |
| E1 | 4.30 | 4.50 | .169 | .177 |
| e | 0.40 BASIC | | 0.016 BASIC | |
| L | 0.45 | 0.75 | .018 | .030 |
| N | SEE VARIATIONS | | SEE VARIATIONS | |
| a | 0° | 8° | 0° | 8° |
| aaa | -- | 0.08 | -- | .003 |

VARIATIONS

| N | D mm. | | D (inch) | |
|----|-------|------|----------|------|
| | MIN | MAX | MIN | MAX |
| 48 | 9.60 | 9.80 | .378 | .386 |

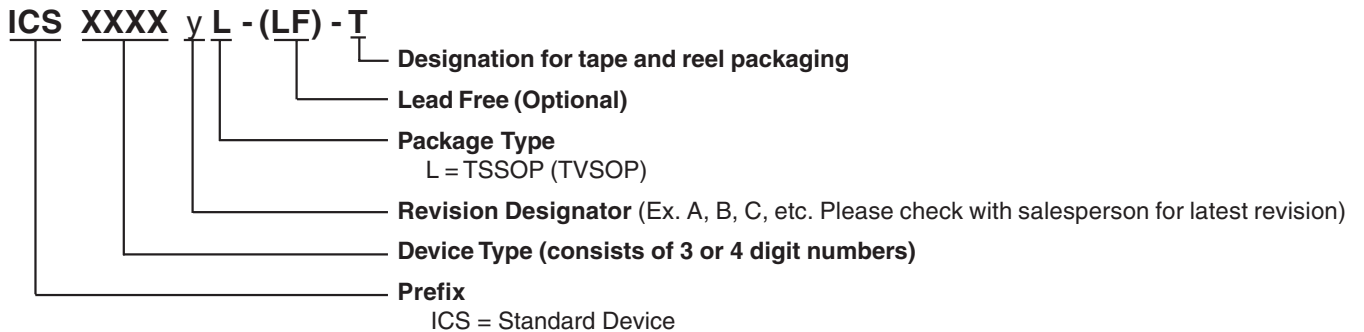
Reference Doc.: JEDEC Publication 95, MO-153

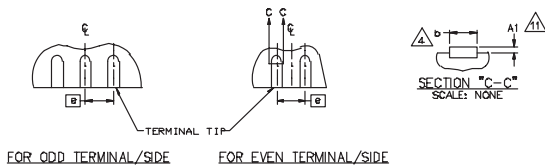
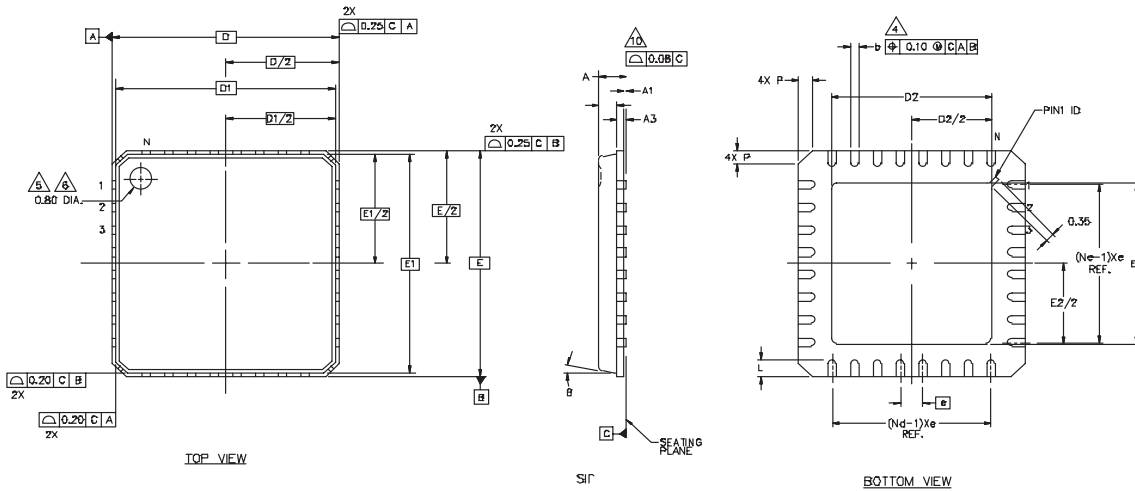
10-0037

Ordering Information

Example:

ICS95V2F857AL(LF)T





40-Pin MLF

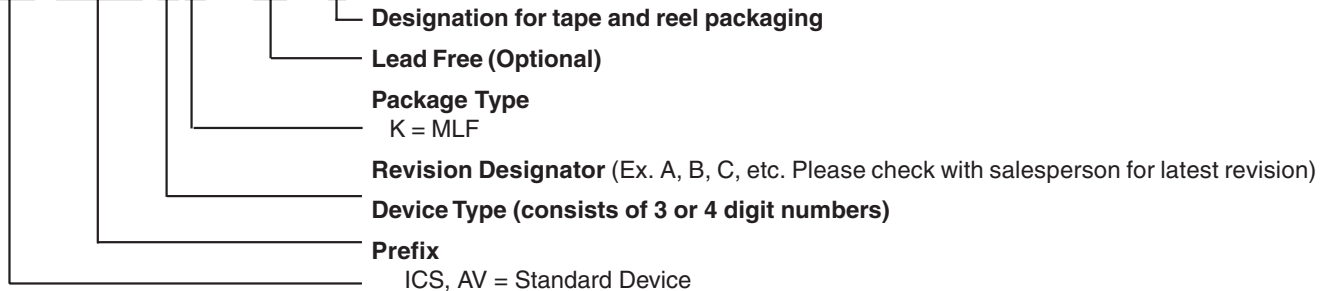
| Symbol | Common Dimensions | | |
|-------------------|-------------------|------|------|
| A | - | 0.85 | 0.90 |
| A1 | 0.00 | 0.01 | 0.05 |
| A2 | - | 0.65 | 0.80 |
| A3 | 0.20 REF | | |
| D | 6.00 BSC | | |
| D1 | 5.75 BSC | | |
| E | 6.00 BSC | | |
| E1 | 5.75 BSC | | |
| Q | | | 12 |
| P | 0.24 | 0.42 | 0.60 |
| R | 0.13 | 0.17 | 0.23 |
| Pitch Variation D | | | |
| e | 0.50 BSC | | |
| N | 40 | | |
| Nd | 10 | | |
| Ne | 10 | | |
| L | 0.30 | 0.40 | 0.50 |
| b | 0.18 | 0.23 | 0.30 |
| Q | 0.00 | 0.20 | 0.45 |
| D2 | 2.75 | 2.90 | 3.05 |
| E2 | 2.75 | 2.90 | 3.05 |

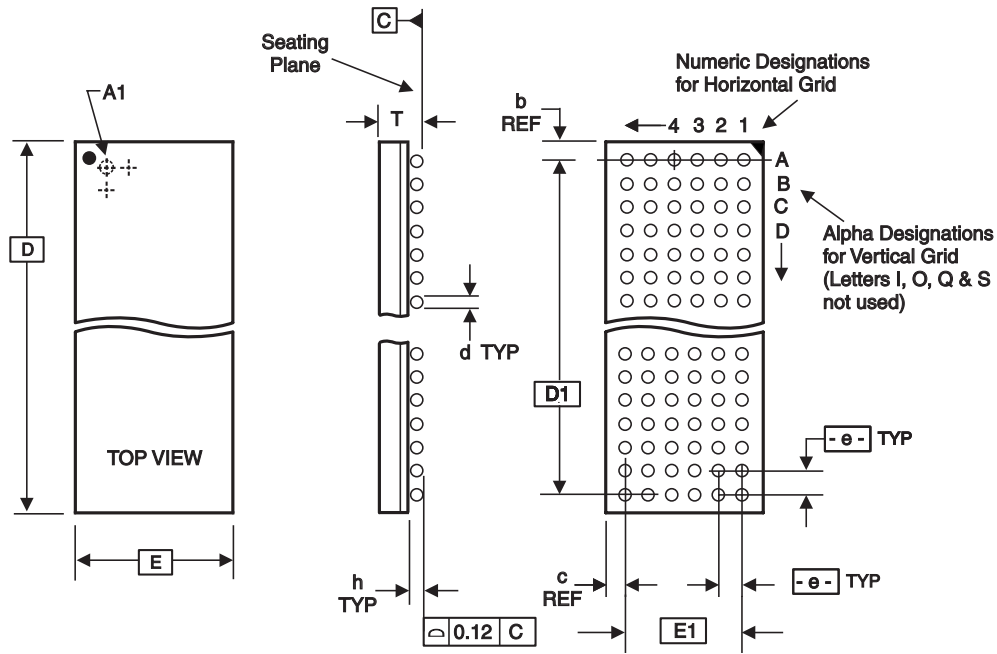
Ordering Information

Example:

ICS95V2F857AK(LF)T

ICS XXXX y K - (LF) - T





ALL DIMENSIONS IN MILLIMETERS

| D | E | T Min/Max | e | BALL GRID | | Max. TOTAL | d Min/Max | h Min/Max | D1 | E1 | REF. DIMENSIONS | |
|----------|----------|--------------|----------|-----------|------|---------------|--------------|--------------|----------|----------|-----------------|-------|
| | | | | HORIZ | VERT | | | | | | b | c |
| 7.00 Bsc | 4.50 Bsc | 0.8/1.00 | 0.65 Bsc | 6 | 10 | 56 | 0.3/0.45 | 0.15/0.25 | 5.85 Bsc | 3.25 Bsc | 0.575 | 0.625 |

Note: Ball grid total indicates maximum ball count for package. Lesser quantity may be used.

* Source Ref.: JEDEC Publication 95, MO-205*, MO-225**

10-0055

Ordering Information

Example:

ICS95V2F857AH(LF)T

ICS XXXX y H (LF) - T

- Designation for tape and reel packaging
- Lead Free (optional)
- Package Type
H = BGA
- Revision Designator (Ex. A, B, C, etc. Please check with salesperson for latest revision)
- Device Type
- Prefix
ICS = Standard Device

IMPORTANT NOTICE AND DISCLAIMER

RENESAS ELECTRONICS CORPORATION AND ITS SUBSIDIARIES (“RENESAS”) PROVIDES TECHNICAL SPECIFICATIONS AND RELIABILITY DATA (INCLUDING DATASHEETS), DESIGN RESOURCES (INCLUDING REFERENCE DESIGNS), APPLICATION OR OTHER DESIGN ADVICE, WEB TOOLS, SAFETY INFORMATION, AND OTHER RESOURCES “AS IS” AND WITH ALL FAULTS, AND DISCLAIMS ALL WARRANTIES, EXPRESS OR IMPLIED, INCLUDING, WITHOUT LIMITATION, ANY IMPLIED WARRANTIES OF MERCHANTABILITY, FITNESS FOR A PARTICULAR PURPOSE, OR NON-INFRINGEMENT OF THIRD PARTY INTELLECTUAL PROPERTY RIGHTS.

These resources are intended for developers skilled in the art designing with Renesas products. You are solely responsible for (1) selecting the appropriate products for your application, (2) designing, validating, and testing your application, and (3) ensuring your application meets applicable standards, and any other safety, security, or other requirements. These resources are subject to change without notice. Renesas grants you permission to use these resources only for development of an application that uses Renesas products. Other reproduction or use of these resources is strictly prohibited. No license is granted to any other Renesas intellectual property or to any third party intellectual property. Renesas disclaims responsibility for, and you will fully indemnify Renesas and its representatives against, any claims, damages, costs, losses, or liabilities arising out of your use of these resources. Renesas' products are provided only subject to Renesas' Terms and Conditions of Sale or other applicable terms agreed to in writing. No use of any Renesas resources expands or otherwise alters any applicable warranties or warranty disclaimers for these products.

(Rev.1.0 Mar 2020)

Corporate Headquarters

TOYOSU FORESIA, 3-2-24 Toyosu,
Koto-ku, Tokyo 135-0061, Japan
www.renesas.com

Contact Information

For further information on a product, technology, the most up-to-date version of a document, or your nearest sales office, please visit:
www.renesas.com/contact/

Trademarks

Renesas and the Renesas logo are trademarks of Renesas Electronics Corporation. All trademarks and registered trademarks are the property of their respective owners.