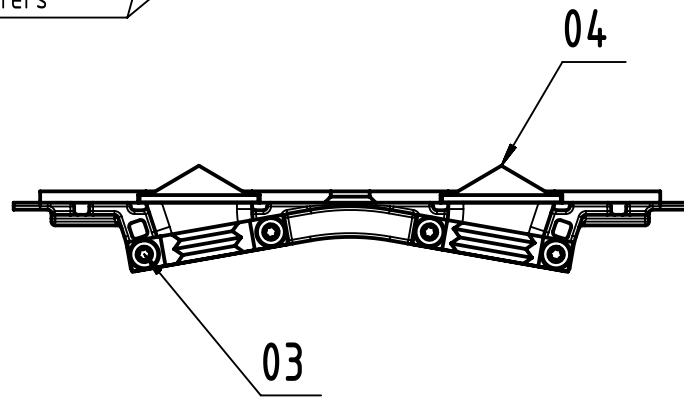



02  
rotate for different  
cable diameters



parts not assembled				
content of a round cable insert set:			spare parts:	
pos.	qty	description	part no.	qty
01	1	round cable insert D20		
02	2	cable clamp D20	09 06 000 9992	1
03	4	screw 2,2x8-TX6	09 06 001 9979	1
04	2	blinding piece		

	All Dimensions in mm Original Size DIN A4	Scale 1:1		Free size tol.		Ref.		
		Created by STORCK		Inspected by LEHNERT		Standardisation HOFFMANN		Date 2019-11-06
All rights reserved Department EL PD		Title DIN Power round cable insert D20				Doc-Key / ECM-Nr. 100104475/UGD/002/C 500000160281		
HARTING Electronics GmbH D-32339 Espelkamp		Type TB		Number 09060009988		Rev. C		Page 1/1

order number for packaging unit	
09 06 000 9988	100 sets
09 06 000 9988 200	1 set