

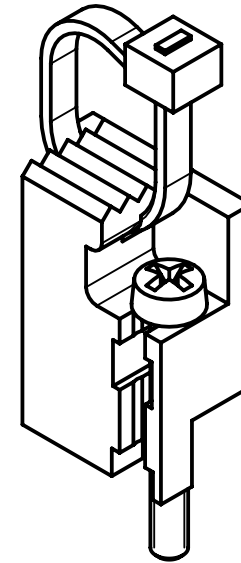
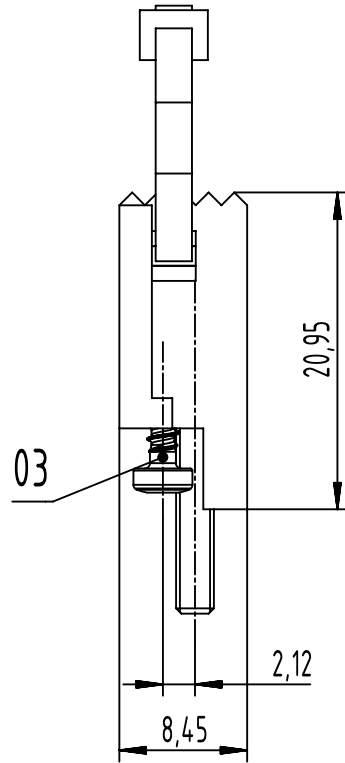
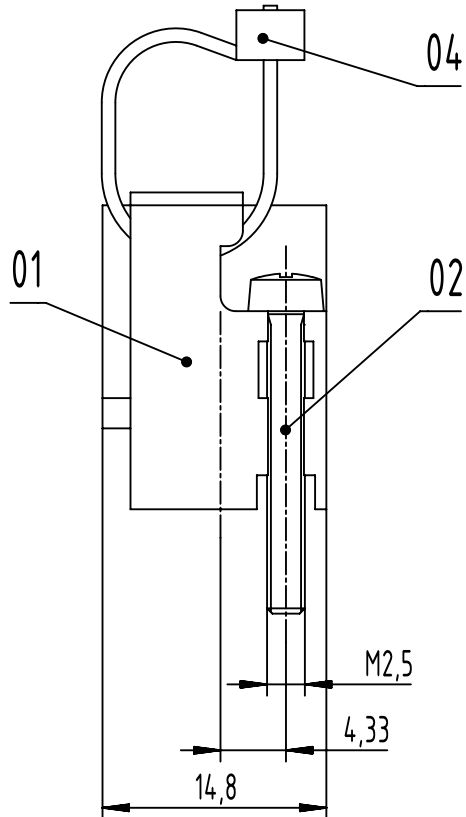
1 2 3 4 5 6

A

B

C

D



content junction element 0			spare parts
pos.	number	description	part no.
01	2	junction element	
02	2	pan head screw ISO 7045 M2.5x20-4.8-H	09 06 000 9926
03	2	self-tapping screw M2.2x8-T6	09 06 001 9979
04	2	cable tie	

parts not assembled

All Dimensions in mm
Original Size DIN A4

All rights reserved
Department EL PD

HARTING
D-32339 Espelkamp

Scale 2:1 Free size tol. Ref. Sub.

Created by STORCK Inspected by LEHNERT Standardisation SAP_WFRT Date 2022-01-25 State Final Release

Title DIN Power type F junction element 0 Doc-Key / ECM-Nr. 100120354/UGD/002/C 500000209801

Type TB Number 09060009968 Rev. C Page 1/1