

Type of Screw and Gasket
see sheet 2, PN KEY

Face View (see Insert Orientation)

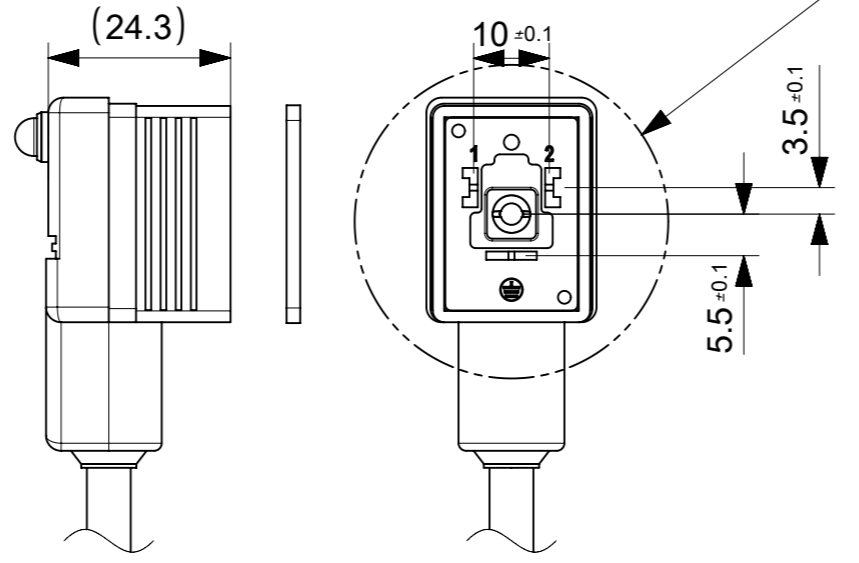
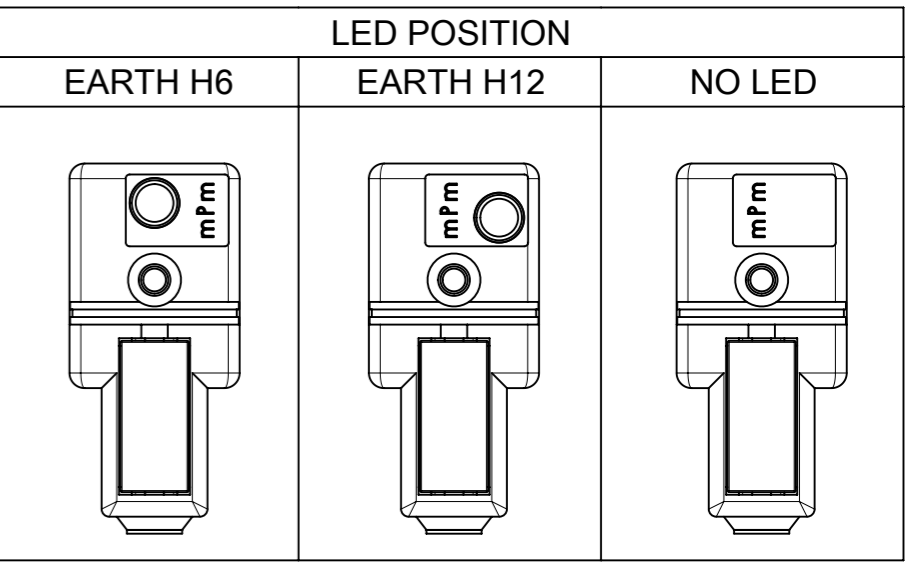
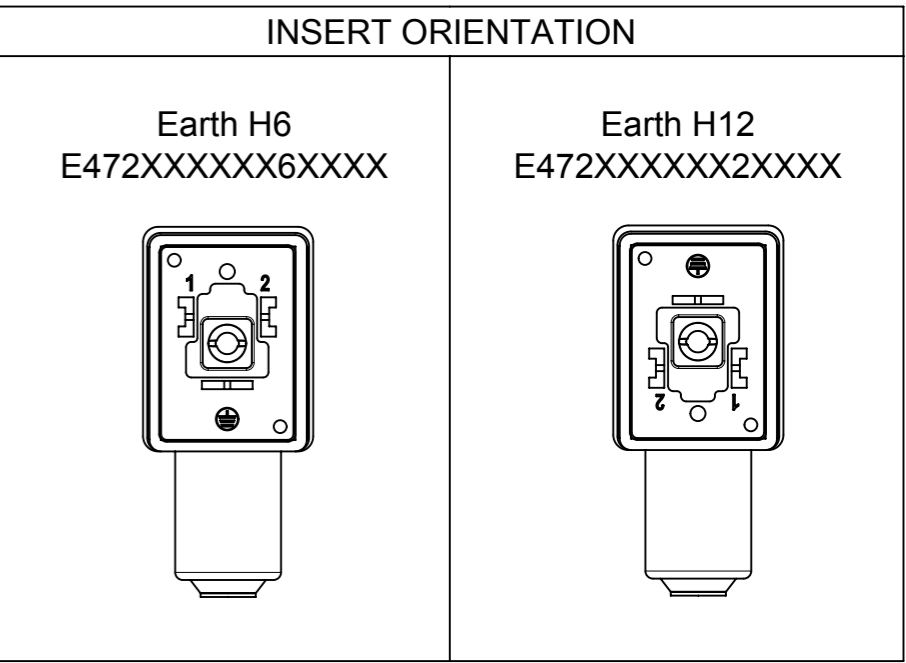


TABLE OF LENGTH TOLERANCES [mm]

Over	Up to and Including	Tolerance
0	1000	±20
1000	3000	±30
3000	5000	±40
5000	10000	±50
10000	15000	±100
15000	20000	±150
20000		±L/100



Type of Screws and Gaskets

Profiled Gasket	Flat Gasket	Integrated Gasket	Screw M3x25
			<p>Screw M3x27 + Washer</p>
			<p>NBR Washer</p>

<p>SYMBOLS</p> <p>▽ = 0</p> <p>▽ = 0</p> <p>▽ = 0</p> <p>▽ = 0</p> <p>▽ = 0</p> <p>▽ = 0</p> <p>▽ = 0</p> <p>▽ = 0</p> <p>▽ = 0</p> <p>▽ = 0</p> <p>▽ = 0</p> <p>▽ = 0</p>	THIS DRAWING CONTAINS INFORMATION THAT IS PROPRIETARY TO MOLEX ELECTRONIC TECHNOLOGIES, LLC AND SHOULD NOT BE USED WITHOUT WRITTEN PERMISSION	SCALE	CURRENT REV DESC:		GENERAL TOLERANCES (UNLESS SPECIFIED)	EC NO: 603741	2018/07/18	STANDARD E472 DIN FORM B EN 175301-803	
	DIMENSION UNITS	mm	1:1		DRWN: APAWLAK01	2018/08/31			
	ANGULAR TOL	±	°		CHK'D: RSILLER	2018/08/31			
	4 PLACES	±			APPR: RSILLER	2018/08/31			
GENERAL TOLERANCES (UNLESS SPECIFIED)			INITIAL REVISION:	DRWN: APAWLAK01	2018/07/18	DOC NUMBER	DOC TYPE	DOC PART	REVISION
3 PLACES	±		DRWN: APAWLAK01	2018/08/31	1210503400	PSD	000	A	1 OF 3
2 PLACES	±	0.05	APPR: RSILLER	2018/08/31	A3-SIZE	121050	SEE 1210503400_PDP	GENERAL MARKET	1 OF 3
1 PLACE	±	0.1	DRAFT WHERE APPLICABLE MUST REMAIN WITHIN DIMENSIONS	THIRD ANGLE PROJECTION	DRAWING	SERIES	MATERIAL NUMBER	CUSTOMER	SHEET NUMBER
0 PLACES	±		THIRD ANGLE PROJECTION	DRAWING	SERIES	MATERIAL NUMBER	CUSTOMER	SHEET NUMBER	SHEET NUMBER

PN KEY ENGINEERING PN

E 4 7 2 X X X X X X X X X X

E - Packing without bag
W - Single Packing

Number of wires:
2 - 2 Wires + Earth

Cable type:
See Table

Head Colour:
G - Grey
N - Black
A - CSA-UL Black
B - CSA-UL Grey

Cable Length in[cm]
050 = 50cm
300 = 300cm
10K = 1000cm

Wiring Configuration:
See sheet 3

Voltage and Led Colour

Red Led:	Green Led:	Yellow Led:
1 = 12V	A = 12V	G = 12V
2 = 24V	B = 24V	H = 24V
3 = 48V	C = 48V	K = 48V
4 = 115V	D = 115V	L = 115V
5 = 230V	E = 230V	M = 230V

Earth PIN location (see insert orientation table):
2 = Earth on H12
6 = Earth on H6

Type of Gasket and Screw (see sheet 1):
1 = NBR Profile Gasket + Fixing Screw M3x25mm
2 = NBR Flat Gasket + Fixing Screw M3x25mm
3 = Silicone Profile Gasket + Fixing Screw M3x25mm
4 = Silicone Flat Gasket + Fixing Screw M3x25mm
P = NBR Integrated Gasket + Fixing Screw with Washer M3x27mm Assembled on Connector
R = NBR Integrated Gasket + Fixing Screw with Washer M3x27mm NOT Assembled on Connector
T = NBR Profile Gasket + Fixing Screw with Washer M3x27mm

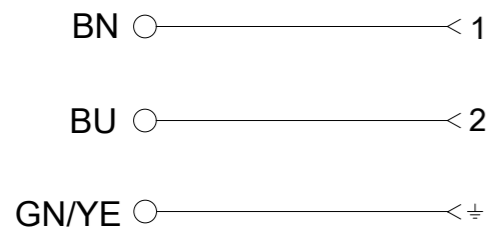
CABLE TYPE	NO. OF WIRES	CROSS SECTION	CABLE O.D.	CABLE JACKET	UL	CSA	STATIC: TEMP. / BENDING RADIUS	DYNAMIC: TEMP. / BENDING RADIUS	SHIELD
A2	3	AWG 20	5.6mm±0.2	PVC BLACK	UL 2661	CSA C22.2	-30°C to +105°C, 10xO.D.	-5°C to +105°C, 15xO.D.	-
A3	3	AWG 18	6.5mm±0.25	PVC BLACK	UL 2661	CSA C22.2	-30°C to +105°C, 10xO.D.	-5°C to +105°C, 15xO.D.	-
B2	3	AWG 20	5.6mm±0.2	PUR BLACK	UL 20668	CSA C22.2	-40°C to +90°C, 5xO.D.	-25°C to +90°C, 10xO.D.	-
B3	3	AWG 18	6.5mm±0.2	PUR BLACK	UL 20668	CSA C22.2	-40°C to +90°C, 5xO.D.	-25°C to +90°C, 10xO.D.	-
F4	3	1mm ²	7.1mm+0.2	PVC GREY	-	-	-15°C to +70°C, 10xO.D.	-5°C to +60°C, 15xO.D.	-
I0	3	1mm ²	7.6mm±0.2	PVC GREY	-	-	-25°C to +70°C, 10xO.D.	-5°C to +70°C, 15xO.D.	YES
I2	3	0.5mm ²	5.5mm+0.3	PVC GREY	-	-	-25°C to +70°C, 10xO.D.	-5°C to +70°C, 15xO.D.	-
I3	3	0.75mm ²	6.0mm±0.2	PVC GREY	-	-	-25°C to +70°C, 10xO.D.	-5°C to +70°C, 15xO.D.	-
I4	3	1mm ²	7.1mm+0.2	PVC GREY	-	-	-25°C to +70°C, 10xO.D.	-5°C to +70°C, 15xO.D.	-
N2	3	0.5mm ²	5.6mm±0.7	PVC BLACK	-	-	-20°C to +70°C, 3xO.D.	-15°C to +70°C, 5xO.D.	-
N3	3	0.75mm ²	6.8mm±0.8	PVC BLACK	-	-	-20°C to +70°C, 3xO.D.	-15°C to +70°C, 5xO.D.	-
N4	3	1mm ²	7.15mm±0.85	PVC BLACK	-	-	-20°C to +70°C, 3xO.D.	-15°C to +70°C, 5xO.D.	-
P1	3	0.34mm ²	5.3mm±0.2	PUR BLACK	-	-	-25°C to +80°C, 10xO.D.	-5°C to +80°C, 15xO.D.	-
P2	3	0.5mm ²	5.5mm+0.3	PUR BLACK	-	-	-40°C to +90°C, 7.5xO.D.	-15°C to +90°C, 12.5xO.D.	-
P3	3	0.75mm ²	6.5mm±0.2	PUR BLACK	-	-	-40°C to +90°C, 7.5xO.D.	-15°C to +90°C, 12.5xO.D.	-

Notes:
1. Please see excel sheet 1210503400_PDP for currently configured part numbers.
2. Drawing is a replacement for: SD-121050-005

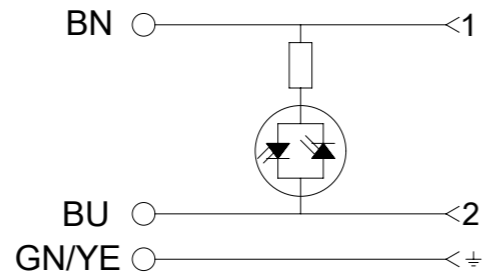
SYMBOLS	THIS DRAWING CONTAINS INFORMATION THAT IS PROPRIETARY TO MOLEX ELECTRONIC TECHNOLOGIES, LLC AND SHOULD NOT BE USED WITHOUT WRITTEN PERMISSION		CURRENT REV DESC:		molex
	mm	SCALE 1:1	EC NO: 603741		
	GENERAL TOLERANCES (UNLESS SPECIFIED)		DRWN: APAWLAK01	2018/07/18	
	ANGULAR TOL ± °		CHK'D: RSILLER	2018/08/31	
4 PLACES ±		APPR: RSILLER	2018/08/31	STANDARD E472 DIN FORM B EN 175301-803	
3 PLACES ±		INITIAL REVISION:		PRODUCT CUSTOMER DRAWING	
2 PLACES ± 0.05		DRWN: APAWLAK01	2018/07/18	DOCUMENT NUMBER	DOC TYPE DOC PART REVISION
1 PLACE ± 0.1		APPR: RSILLER	2018/08/31	1210503400	PSD 000 A
0 PLACES ±		DRAFT WHERE APPLICABLE MUST REMAIN WITHIN DIMENSIONS		MATERIAL NUMBER	CUSTOMER
		THIRD ANGLE PROJECTION	DRAWING	SERIES	SHEET NUMBER
			A3-SIZE	121050	2 OF 3
				SEE 1210503400_PDP	GENERAL MARKET

WIRING DIAGRAMS

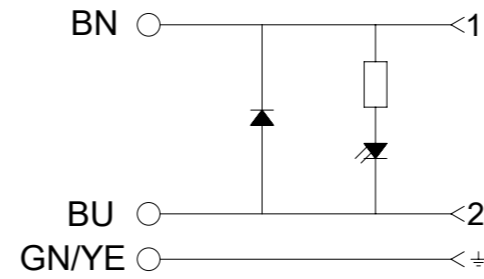
ELECTRICAL DIAGRAM 00



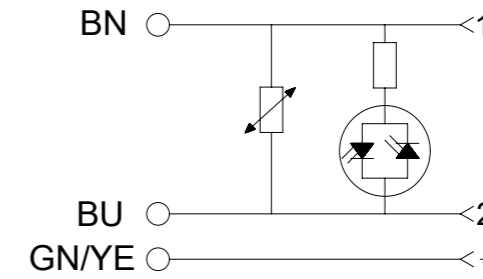
ELECTRICAL DIAGRAM A1



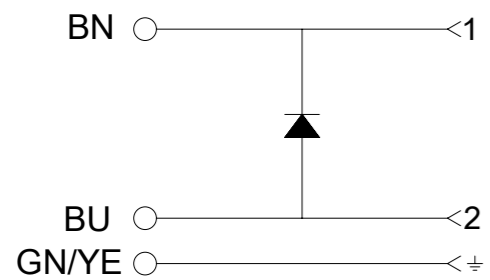
ELECTRICAL DIAGRAM C3



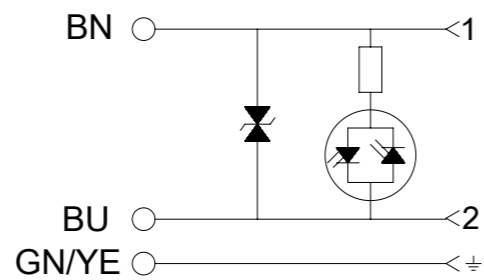
ELECTRICAL DIAGRAM C4



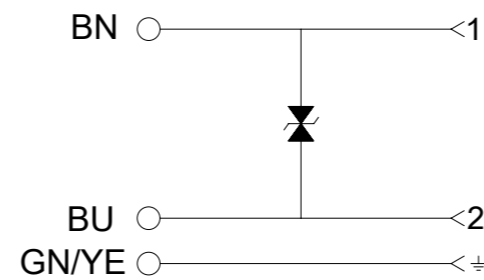
ELECTRICAL DIAGRAM E0



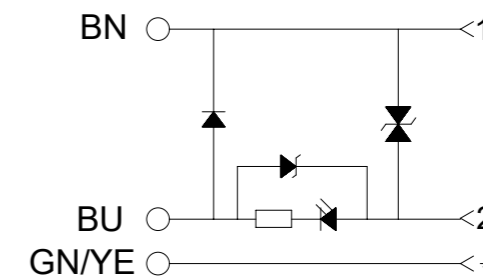
ELECTRICAL DIAGRAM S0



ELECTRICAL DIAGRAM S1

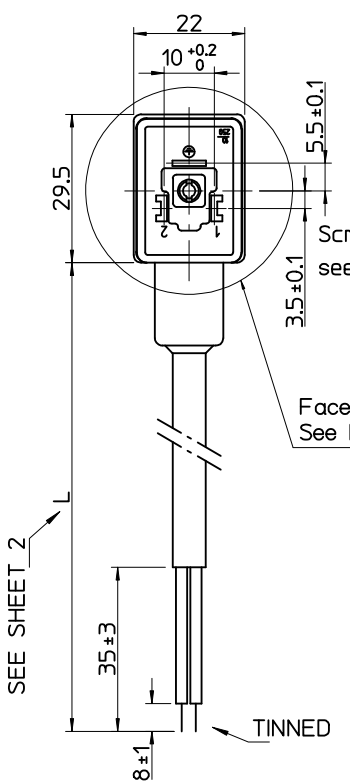


ELECTRICAL DIAGRAM NS



Technical Spec:
 Supply Voltage: See PN KEY
 Max. current: 5A; A1-C4-S0
 1,5A; R2
 Contact Resistance: ≤15milliohms max.
 Operating Temperature:
 with NBR Gasket: -40°C +90°C
 with Silicone: -40°C +125°C

SYMBOLS		THIS DRAWING CONTAINS INFORMATION THAT IS PROPRIETARY TO MOLEX ELECTRONIC TECHNOLOGIES, LLC AND SHOULD NOT BE USED WITHOUT WRITTEN PERMISSION	
DIMENSION UNITS	SCALE	CURRENT REV DESC:	
▽ = 0	mm	1:1	
▽ = 0	GENERAL TOLERANCES (UNLESS SPECIFIED)		
▽ = 0	ANGULAR TOL	±	°
▽ = 0	4 PLACES	±	
▽ = 0	3 PLACES	±	
▽ = 0	2 PLACES	±	0.05
▽ = 0	1 PLACE	±	0.1
▽ = 0	0 PLACES	±	
■ = 0	DRAFT WHERE APPLICABLE MUST REMAIN WITHIN DIMENSIONS		
▽ = 0	THIRD ANGLE PROJECTION	DRAWING	SERIES
		A3-SIZE	121050
		EC NO: 603741	
		DRWN: APAWLAK01	2018/07/18
		CHK'D: RSILLER	2018/08/31
		APPR: RSILLER	2018/08/31
		INITIAL REVISION:	
		DRWN: APAWLAK01	2018/07/18
		APPR: RSILLER	2018/08/31
		DOCUMENT NUMBER	DOC TYPE DOC PART REVISION
		1210503400	PSD 000 A
		MATERIAL NUMBER	CUSTOMER
		SEE 1210503400_PDP	GENERAL MARKET
			SHEET NUMBER
			3 OF 3



Screw and gasket,
see sheet 2, PN Key

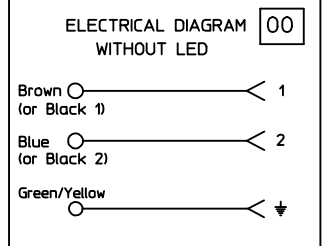
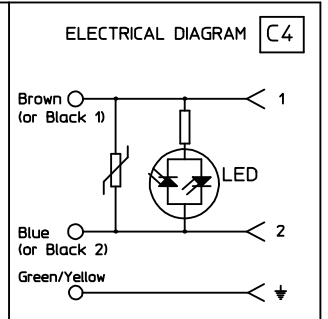
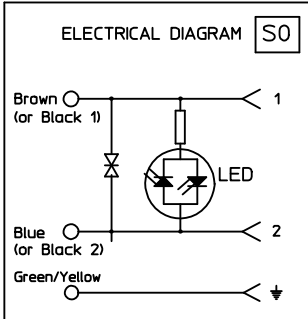
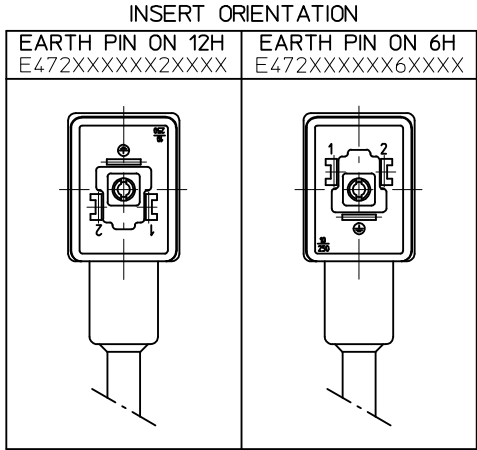
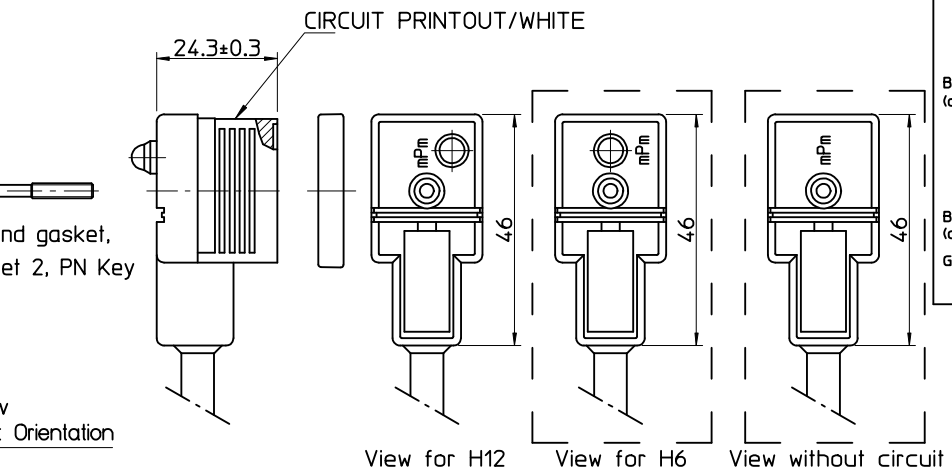


Table of length tolerances [mm]

Over	Up to and including	Tolerance (+)
0	1000	±20
1000	3000	±30
3000	5000	±40
5000	10000	±50
10000	15000	±100
15000	20000	±150
20000		±L/100

DRAWING UPDATE EC NO: IPG2013-1497 DRW: JMARSZALEK 2013/03/27 CHK: MDYSZEWSKA 2013/03/27 APPR: MIWASIECZKO 2013/03/28	QUALITY SYMBOLS ▽=0 ▽=0	GENERAL TOLERANCES (UNLESS SPECIFIED) mm INCH 4 PLACES ±--- ±--- 3 PLACES ±--- ±--- 2 PLACES ±--- ±--- 1 PLACE ±--- ±--- 0 PLACE ±--- ±--- ANGULAR ±---°	DIMENSION STYLE MM ONLY DRAWN BY DATE JMARSZALEK 2012/11/19 CHECKED BY DATE MSZWAJKOWSKI 2012/11/20 APPROVED BY DATE MIWASIECZKO 2013/02/12 MATERIAL NO.	SCALE DESIGN UNITS METRIC FIRST ANGLE PROJECTION	TITLE E472XXXXXXXXXXXX FORM B EN 175301-803 molex	DOCUMENT NO. SD-121050-005 SHEET NO. 1 OF 4
	DRAFT WHERE APPLICABLE MUST REMAIN WITHIN DIMENSIONS	SEE SHEET 2&3	THIS DRAWING CONTAINS INFORMATION THAT IS PROPRIETARY TO MOLEX INCORPORATED AND SHOULD NOT BE USED WITHOUT WRITTEN PERMISSION			
	REV B					

10 | 9 | 8 | 7 | 6 | 5 | 4 | 3 | 2 | 1

F

F

E

E

D

D

C

C


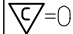

B

B

A

A

9 | 8 | 7 | 6 | 5 | 4 | 3 | 2 | 1

DRAWING UPDATE EC NO: IPG2013-1497 DRWN: JMARSZALEK 2013/03/27 CHKD: MDYSZEWSKA 2013/03/27 APPR: MIWASIECZKO 2013/03/28	DESCRIPTION REV	QUALITY SYMBOLS  = 0  = 0	GENERAL TOLERANCES (UNLESS SPECIFIED)		DIMENSION STYLE MM ONLY		SCALE 1:1	DESIGN UNITS METRIC	 FIRST ANGLE PROJECTION	
		4 PLACES ± --- ± --- 3 PLACES ± --- ± --- 2 PLACES ± --- ± --- 1 PLACE ± --- ± --- 0 PLACE ± --- ± --- ANGULAR ± --- °	mm INCH	DRAWN BY DATE JMARSZALEK 2012/11/19	TITLE E472XXXXXXXXXXXX FORM B EN 175301-803					
DRAFT WHERE APPLICABLE MUST REMAIN WITHIN DIMENSIONS			CHECKED BY DATE MSZWAJKOWSKI 2012/11/20		APPROVED BY DATE MIWASIECZKO 2013/02/12			MATERIAL NO. DOCUMENT NO.		
			SEE SHEET 2&4		SD-121050-005			SHEET NO. 2 OF 4		
			THIS DRAWING CONTAINS INFORMATION THAT IS PROPRIETARY TO MOLEX INCORPORATED AND SHOULD NOT BE USED WITHOUT WRITTEN PERMISSION							

10 9 8 7 6 5 4 3 2 1

F

F

E

E

D

D

C

C


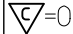

B

B

A

A

9 8 7 6 5 4 3 2 1

DRAWING UPDATE EC NO: IPG2013-1497 DRWN: JMARSZALEK 2013/03/27 CHKD: MDYSZEWSKA 2013/03/27 APPR: MIWASIECZKO 2013/03/28	DESCRIPTION REV	QUALITY SYMBOLS  = 0  = 0	GENERAL TOLERANCES (UNLESS SPECIFIED)		DIMENSION STYLE MM ONLY		SCALE 1:1	DESIGN UNITS METRIC	 FIRST ANGLE PROJECTION	
		4 PLACES ± --- ± --- 3 PLACES ± --- ± --- 2 PLACES ± --- ± --- 1 PLACE ± --- ± --- 0 PLACE ± --- ± --- ANGULAR ± --- °	mm INCH	DRAWN BY DATE JMARSZALEK 2012/11/19 CHECKED BY DATE MSZWAJKOWSKI 2012/11/20 APPROVED BY DATE MIWASIECZKO 2013/02/12	TITLE E472XXXXXXXXXXXX FORM B EN 175301-803		MATERIAL NO. SEE SHEET 2&4		DOCUMENT NO. SD-121050-005	SHEET NO. 3 OF 4
DRAFT WHERE APPLICABLE MUST REMAIN WITHIN DIMENSIONS			THIS DRAWING CONTAINS INFORMATION THAT IS PROPRIETARY TO MOLEX INCORPORATED AND SHOULD NOT BE USED WITHOUT WRITTEN PERMISSION							



10 | 9 | 8 | 7 | 6 | 5 | 4 | 3 | 2 | 1

F

F

E

E

D

D

C

C


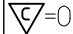


B

B

A

A

9 | 8 | 7 | 6 | 5 | 4 | 3 | 2 | 1

DRAWING UPDATE EC NO: IPG2013-1497 DRWN: JMARSZALEK 2013/03/27 CHKD: MDYSZEWSKA 2013/03/27 APPR: MIWASIECZKO 2013/03/28	DESCRIPTION REV	QUALITY SYMBOLS  = 0  = 0	GENERAL TOLERANCES (UNLESS SPECIFIED)		DIMENSION STYLE MM ONLY		SCALE 1:1	DESIGN UNITS METRIC	 FIRST ANGLE PROJECTION	
		4 PLACES ± --- ± --- 3 PLACES ± --- ± --- 2 PLACES ± --- ± --- 1 PLACE ± --- ± --- 0 PLACE ± --- ± --- ANGULAR ± --- °	mm INCH	DRAWN BY DATE JMARSZALEK 2012/11/19	TITLE E472XXXXXXXXXXXX FORM B EN 175301-803					
DRAFT WHERE APPLICABLE MUST REMAIN WITHIN DIMENSIONS			CHECKED BY DATE MSZWAJKOWSKI 2012/11/20		APPROVED BY DATE MIWASIECZKO 2013/02/12		DOCUMENT NO. SD-121050-005		SHEET NO. 4 OF 4	
			SEE SHEET 2&4		MATERIAL NO.				THIS DRAWING CONTAINS INFORMATION THAT IS PROPRIETARY TO MOLEX INCORPORATED AND SHOULD NOT BE USED WITHOUT WRITTEN PERMISSION	