

Micro Miniature Pushbuttons with "Square Button" FSMCD/A & FSMRACD/A

MATERIAL SPECIFICATIONS:

ContactsCopper alloy, silver plate
 Case.....Polyamide
 Actuator ButtonPolyacetal Resin
 FrameStainless Steel
 TerminalsCopper alloy, silver plate

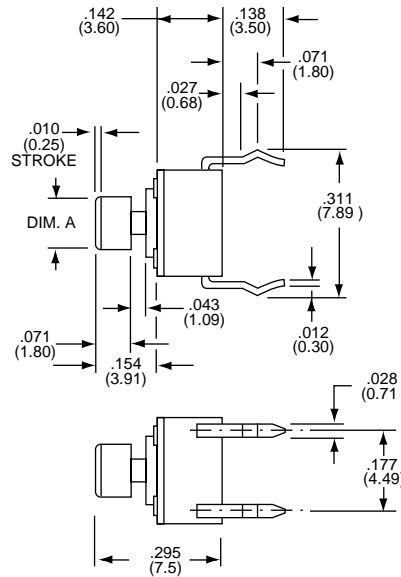
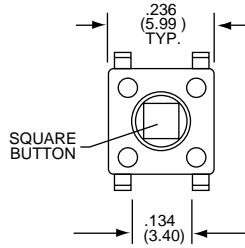
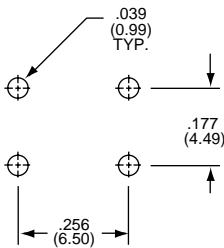
TYPICAL PERFORMANCE CHARACTERISTICS:

Contact Rating50 mA @ 12 VDC
 Initial Contact Resistance.....100 Milliohms Max.
 Insulation Resistance100 Megohms min. @ 100 VDC
 Dielectric Strength250 VAC
 Actuation Force100 - 350 Grams
 Actuator Travel010"(.254)
 Life Expectancy100,000 Cycles



ENVIRONMENTAL SPECIFICATIONS

Operating Temperature.....-4°F to +158°F (-20°C to +70°C)
 Storage Temperature.....-22°F to +176°F (-30°C to +80°C)
 Solder Heat Resistance.....See Page M6

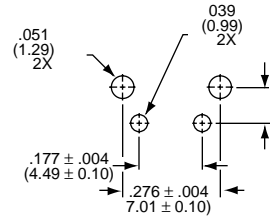
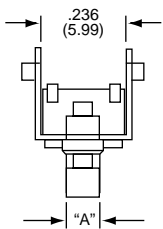
6 x 6 mm



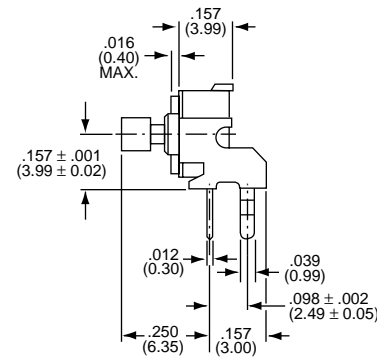
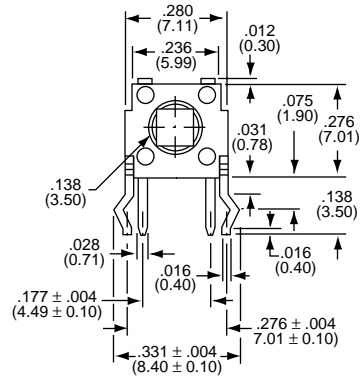
FSMCD/A

Model Number	Dim. A	Button Color	Type		
FSMCD	.095 (2,42)	Black	SPST	Off	(On)
FSMCDA	.110 (2,80)	Black	SPST	Off	(On)

(On) indicates momentary position.



FSMRACD/A



Model Number	Dim. A	Button Color
FSMRACD	.095 (2,42)	Blue
FSMRACDA	.110 (2,80)	Black

Need more technical information?

Consult your Thomas & Betts sales office listed on the back cover