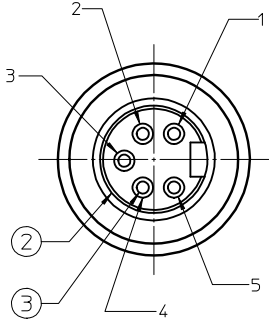
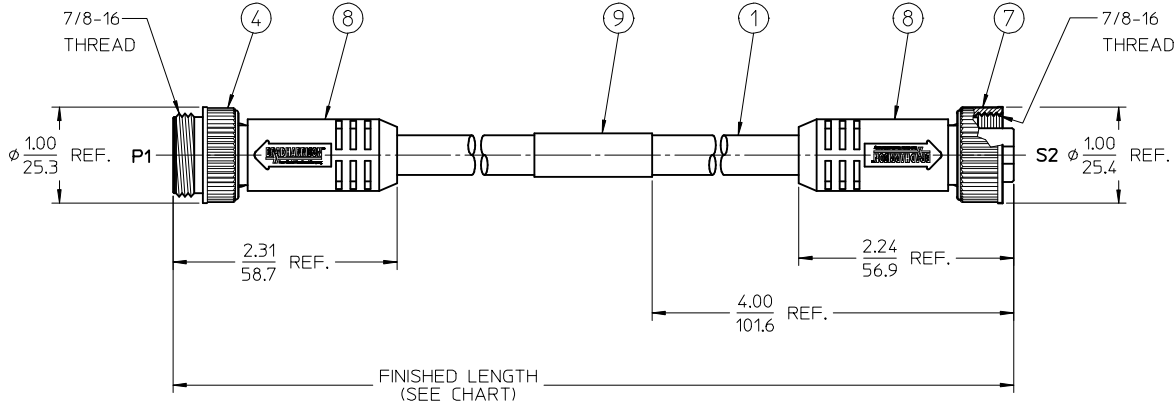
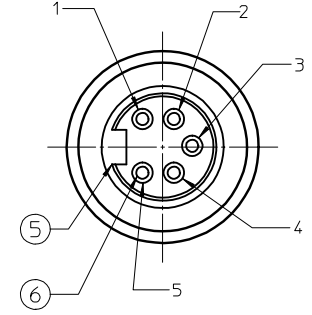


MALE FACE VIEW
SCALE: 2X

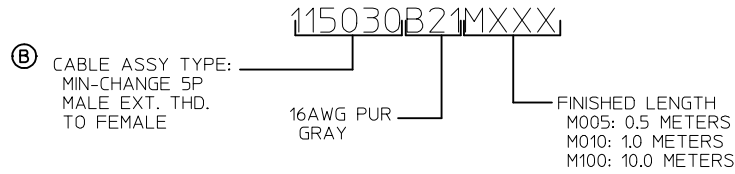


FEMALE FACE VIEW
SCALE: 2X



NOTES:

1. MATERIAL: SEE TABLE
2. FINISHES: SEE TABLE
3. ELECTRICAL SPECIFICATIONS
VOLTAGE RATING: 300V AC/DC
CURRENT RATING: 8 AMPS
4. PROTECTION: IP67
5. ASSEMBLY IS RoHS COMPLIANT BY EXEMPTION



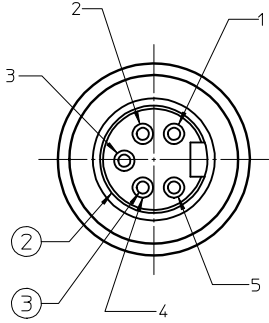
P1		S2	
1	BLACK	1	
2	BLUE	2	
3	GREEN/YELLOW	3	
4	BROWN	4	
5	WHITE	5	

WIRING DIAGRAM

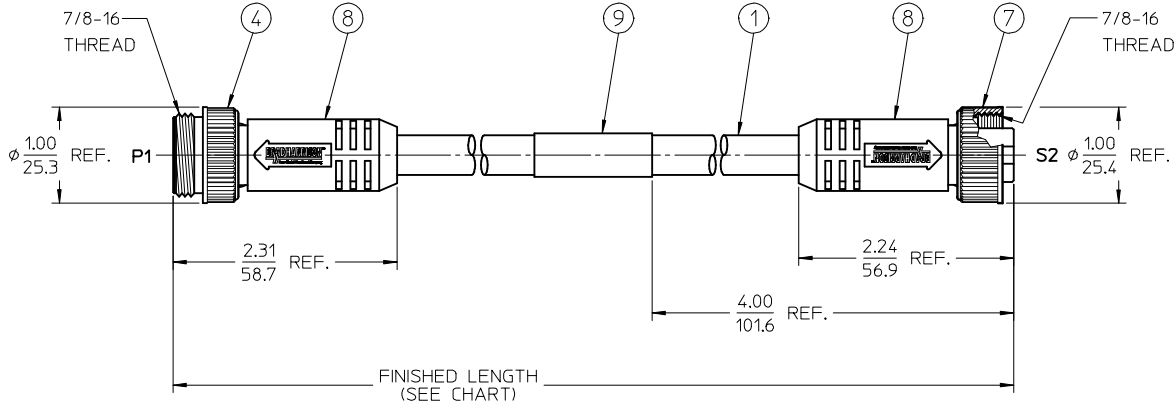
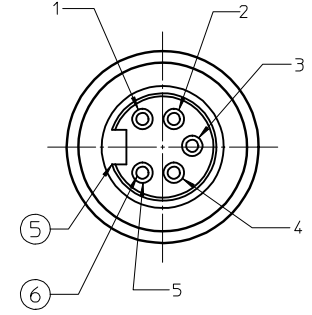
ITEM	QTY.	DESCRIPTION	MATERIAL	FINISH
9	1	WRAP LABEL	MYLAR	BLACK/YELLOW
8	2	OVERMOLD	PUR	BLACK
7	1	COUPLING RING-INT. THREAD	ZINC DIE-CAST	BLACK
6	5	CONTACT SOCKET	Cu ALLOY	GOLD PLATED
5	1	INSERT, 5P-FEMALE	PUR	BLACK
4	1	COUPLING RING-EXT. THREAD	ZINC DIE-CAST	BLACK
3	5	CONTACT PIN	Cu ALLOY	GOLD PLATED
2	1	INSERT, 5P-MALE	PUR	BLACK
1	A/R	CABLE 5/C, 1.5mm ² (16 AWG)	PUR JACKET	GRAY

ADDED PART NO. MATRIX EC NO: IPG2016-1424 DRWINGGUSTAFSON 2016/04/20 CHKDHZLEINSKI 2016/05/12 APPR:BRUPERT 2016/04/28	QUALITY SYMBOLS ▽=0 ▽=0	GENERAL TOLERANCES (UNLESS SPECIFIED)		DIMENSION STYLE IN/MM		SCALE 1:1	DESIGN UNITS INCH	THIRD ANGLE PROJECTION			
		4 PLACES ± --- ± --- 3 PLACES ± --- ± --- 2 PLACES ± --- ± .01 1 PLACE ± 0.3 ± --- 0 PLACE ± --- ± ---	mm INCH ± --- ± --- ± --- ± --- ± --- ± --- ± --- ± ---	DRAWN BY RSTONE	DATE 2012/10/22	TITLE MINI-CHANGE CABLE ASSY 5P MALE/FEMALE-STRAIGHT (16 AWG) PUR		DOCUMENT NO. SD-130010-024		SHEET NO. 1 OF 1	
		ANGULAR ± 2 °		CHECKED BY K JOZWIK	DATE 2012/11/26	APPROVED BY JFMURPHY		DATE 2012/12/18		MATERIAL NO. -----	
		DRAFT WHERE APPLICABLE MUST REMAIN WITHIN DIMENSIONS		SIZE C		THIS DRAWING CONTAINS INFORMATION THAT IS PROPRIETARY TO MOLEX INCORPORATED AND SHOULD NOT BE USED WITHOUT WRITTEN PERMISSION					

MALE FACE VIEW
SCALE: 2X

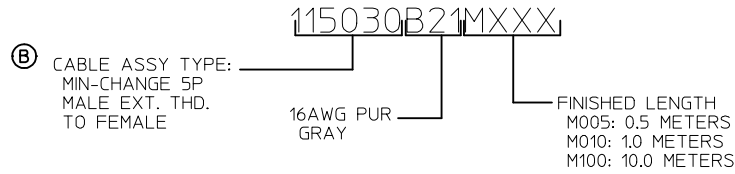


FEMALE FACE VIEW
SCALE: 2X



NOTES:

1. MATERIAL: SEE TABLE
2. FINISHES: SEE TABLE
3. ELECTRICAL SPECIFICATIONS
VOLTAGE RATING: 300V AC/DC
CURRENT RATING: 8 AMPS
4. PROTECTION: IP67
5. ASSEMBLY IS RoHS COMPLIANT BY EXEMPTION



P1		S2	
1	BLACK	1	
2	BLUE	2	
3	GREEN/YELLOW	3	
4	BROWN	4	
5	WHITE	5	

WIRING DIAGRAM

ITEM	QTY.	DESCRIPTION	MATERIAL	FINISH
9	1	WRAP LABEL	MYLAR	BLACK/YELLOW
8	2	OVERMOLD	PUR	BLACK
7	1	COUPLING RING-INT. THREAD	ZINC DIE-CAST	BLACK
6	5	CONTACT SOCKET	Cu ALLOY	GOLD PLATED
5	1	INSERT, 5P-FEMALE	PUR	BLACK
4	1	COUPLING RING-EXT. THREAD	ZINC DIE-CAST	BLACK
3	5	CONTACT PIN	Cu ALLOY	GOLD PLATED
2	1	INSERT, 5P-MALE	PUR	BLACK
1	A/R	CABLE 5/C, 1.5mm ² (16 AWG)	PUR JACKET	GRAY

ADDED PART NO. MATRIX EC NO: IPG2016-1424 DRWINGGUSTAFSON 2016/04/20 CHKDMZLELINSKI 2016/05/12 APPR:BRUPERT 2016/04/28	QUALITY SYMBOLS ▽=0 ▽=0	GENERAL TOLERANCES (UNLESS SPECIFIED) <table border="1"> <thead> <tr> <th></th> <th>mm</th> <th>INCH</th> </tr> </thead> <tbody> <tr> <td>4 PLACES</td> <td>± ---</td> <td>± ---</td> </tr> <tr> <td>3 PLACES</td> <td>± ---</td> <td>± ---</td> </tr> <tr> <td>2 PLACES</td> <td>± ---</td> <td>± .01</td> </tr> <tr> <td>1 PLACE</td> <td>± 0.3</td> <td>± ---</td> </tr> <tr> <td>0 PLACE</td> <td>± ---</td> <td>± ---</td> </tr> </tbody> </table>		mm	INCH	4 PLACES	± ---	± ---	3 PLACES	± ---	± ---	2 PLACES	± ---	± .01	1 PLACE	± 0.3	± ---	0 PLACE	± ---	± ---	DIMENSION STYLE IN/MM	SCALE 1:1	DESIGN UNITS INCH	THIRD ANGLE PROJECTION
		mm	INCH																					
	4 PLACES	± ---	± ---																					
	3 PLACES	± ---	± ---																					
2 PLACES	± ---	± .01																						
1 PLACE	± 0.3	± ---																						
0 PLACE	± ---	± ---																						
DRAWN BY RSTONE	DATE 2012/10/22	CHECKED BY K JOZWIK	DATE 2012/11/26	TITLE MINI-CHANGE CABLE ASSY 5P MALE/FEMALE-STRAIGHT (16 AWG) PUR																				
APPROVED BY JFMURPHY	DATE 2012/12/18	MATERIAL NO. -----			DOCUMENT NO. SD-130010-024																			
DRAFT WHERE APPLICABLE MUST REMAIN WITHIN DIMENSIONS			SIZE C	THIS DRAWING CONTAINS INFORMATION THAT IS PROPRIETARY TO MOLEX INCORPORATED AND SHOULD NOT BE USED WITHOUT WRITTEN PERMISSION																				