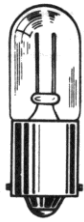


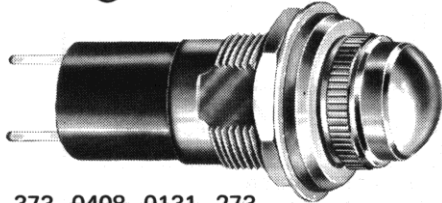
# Miniature Neon Indicators WITH BUILT-IN RESISTOR FOR MOUNTING IN 11/16" CLEARANCE HOLE



T-3 1/4  
B1A (NE-51)  
B2A (NE-51H)  
MINIATURE BAYONET BASE  
See lamp ratings  
on page L.

For materials and finishes of  
products in this group, see page 9D.

PER MIL-L-3661B

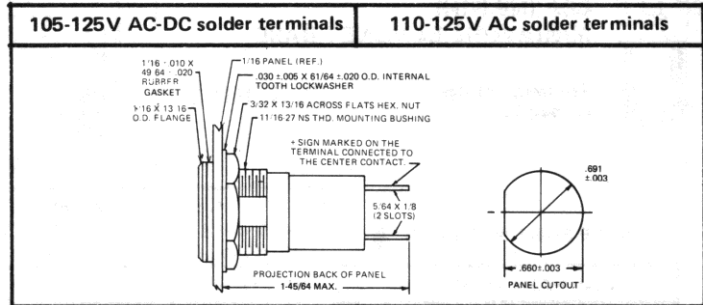


**373 SERIES  
375 SERIES  
376 SERIES**

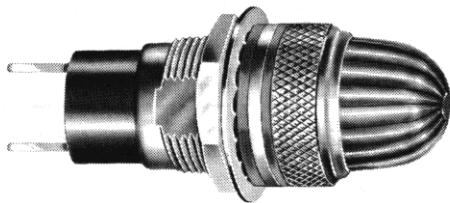
373-0408-0131-273  
Convex lens

BASE PART NUMBERS →

## WITH SCREW-IN LENS CAPS



105-125V AC-DC solder terminals		110-125V AC solder terminals	
LH76/1	373-0408-01-273	LH76/2	373-0463-01-223
CAP PART NUMBERS		COMPLETE ASSEMBLY PART NUMBERS	
<p>LC14 81-0131-203 convex, transparent</p>		373-0408-0131-273 373-0463-0131-223	
<p>LC17 203-0131-203 convex, mech. dimmer complete blackout</p>		375-0408-0131-273 375-0463-0131-223	
<p>LC18 204-0131-203 convex, mech. dimmer semi-blackout</p>		376-0408-0131-273 376-0463-0131-223	

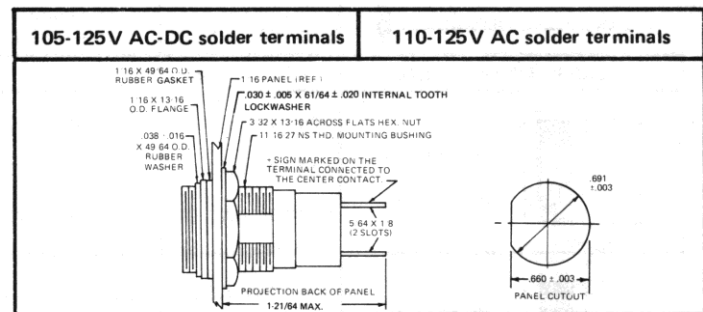


377-0463-1191-223  
Stovepipe lens

**377 SERIES**

BASE PART NUMBERS →

## WITH SCREW-ON LENS CAPS



105-125V AC-DC solder terminals		110-125V AC solder terminals	
LH77/1	377-0408-11-273	LH77/2	377-0463-11-223
CAP PART NUMBERS		COMPLETE ASSEMBLY PART NUMBERS	
<p>LC19 169-1131-203 stovepipe, transparent</p>		377-0408-1131-273 377-0463-1131-223	
<p>LC20 169-1191-203 stovepipe internal fluting</p>		377-0408-1191-273 377-0463-1191-223	

Part numbers shown in gray are normally  
in inventory at your Dialight Distributor.

Order complete with lamp to be assured of receiving the  
indicator light and correct lamp together for immediate use.