

SX7 Series

1 psig to 300 psig Button Package Plastic Silicon Pressure Sensors



DESCRIPTION

The SX7 Series sensors offer a high pressure sensor in a very small “button” style package.

These special devices use an RTV 730 for die attach to allow measurement of gauge pressures of 1 psi (SX7001D) to 300 psi (SX7300D) with pressure applied to the backside of the sensor chip (Port P2) only. The output voltage is proportional to pressure.

FEATURES

- Button package
- High pressure
- Small size
- Low noise
- RTV 730 Die Attach

The output of the bridge is ratiometric to the supply voltage and operation from any dc supply voltage up to +12V is acceptable.

This series is intended for use with non-corrosive, non-ionic working fluids such as air, dry gases, and the like.

POTENTIAL APPLICATIONS

- Medical equipment
- Computer peripherals
- Pneumatic controls
- HVAC

SX7 Series Plastic Silicon Pressure Sensors

Table 1. Maximum Ratings for All Devices

Characteristic	Parameter	Unit
Supply voltage, VS	+12	Vdc
Maximum pressure on any port	200	psig
Temperature ranges: Operating	-40 to 85	°C [°F]
Storage	-55 to 125	
Humidity limits	0% to 100%	RH
Lead temperature	250	°C [°F]
Soldering duration	3	s

Table 2. Standard Pressure Ranges

Catalog Listing	Operating Pressure	Proof Pressure	Maximum Pressure	Full Scale Span*		
				Min.	Typ.	Max.
SX7001D	1 psi	–	20 psid	15 mV	20 mV	25 mV
SX7005D	5 psi	–	20 psid	50 mV	75 mV	100 mV
SX7015D	15 psi	–	30 psid	75 mV	110 mV	150 mV
SX7030D	30 psi	–	60 psid	75 mV	110 mV	150 mV
SX7100D	100 psi	–	150 psid	100 mV	150 mV	200 mV
SX7150D	150 psi	–	200 psid	75 mV	110 mV	150 mV
SX7300D	0 psi to 300 psi	350 psi	300 psid	100 mV	150 mV	200 mV

*Full-Scale Span is the algebraic difference between the output voltage at full-scale pressure and the output at zero pressure. Full-Scale Span is ratiometric to the supply voltage.

Table 3. Performance Characteristics

SX7001D					
Characteristic	Min.	Typ.	Max.	Unit	Note
Sensitivity	3.0	4.0	5.0	mV/V/psi	–
Temperature coefficient of span	-2550	-2300	-2050	ppm/°C	4
Zero pressure offset	-35	-20	0	mV	–
Temperature coefficient of offset	–	+4	–	µV/V/°C	4
Combined pressure non-linearity and pressure hysteresis	–	0.2	±0.5	%FS	3
Long-term stability of offset and sensitivity	–	0.1	–	%FS	9
Response time (10% to 90%)	–	100	–	µs	8
Input resistance	–	4.1	–	kOhm	6
Temperature coefficient of resistance	+690	+750	+810	ppm/°C	–
Output resistance	–	4.1	–	kOhm	7
Repeatability	–	0.5	–	%FS	5
SX7005D					
Characteristic	Min.	Typ.	Max.	Unit	Note
Sensitivity	2.0	3.0	4.0	mV/V/psi	–
Temperature coefficient of span	-2550	-2300	-2050	ppm/°C	4
Zero pressure offset	-35	-20	0	mV	–
Temperature coefficient of offset	–	+4	–	µV/V/°C	4
Combined pressure Non-linearity and pressure hysteresis	–	0.2	±0.5	%FS	3
Long-term stability of offset and sensitivity	–	0.1	–	%FS	9
Response time (10% to 90%)	–	100	–	µs	8
Input resistance	–	4.1	–	kOhm	6
Temperature coefficient of resistance	+690	+750	+810	ppm/°C	–
Output resistance	–	4.1	–	kOhm	7
Repeatability	–	0.5	–	%FS	5
SX7015D					
Characteristic	Min.	Typ.	Max.	Unit	Note
Sensitivity	1.0	1.5	2.0	mV/V/psi	–
Temperature coefficient of span	-2400	-2150	-1900	ppm/°C	4
Zero pressure offset	-35	-20	0	mV	–
Temperature coefficient of offset	–	+4	–	µV/V/°C	4
Combined pressure Non-linearity and pressure hysteresis	–	0.2	±0.5	%FS	3
Long-term stability of offset and sensitivity	–	0.1	–	%FS	9
Response time (10% to 90%)	–	100	–	µs	8
Input resistance	–	4.1	–	kOhm	6
Temperature coefficient of resistance	+690	+750	+810	ppm/°C	–
Output resistance	–	4.1	–	kOhm	7
Repeatability	–	0.5	–	%FS	5

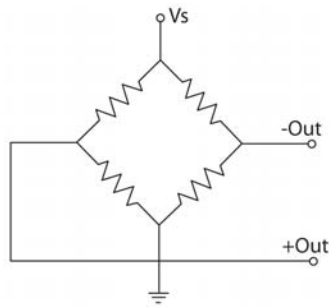
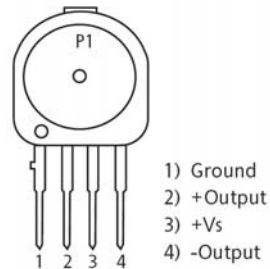
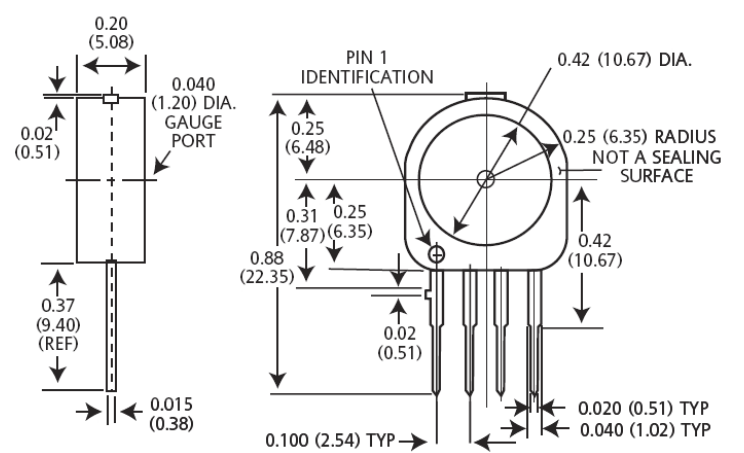
1 psi to 300 psi, Button Package

Table 3. Performance Characteristics (continued)

SX7030D					
Characteristic	Min.	Typ.	Max.	Unit	Note
Sensitivity	0.5	0.75	1.0	mV/V/psi	–
Temperature coefficient of span	-2400	-2150	-1900	ppm/°C	4
Zero pressure offset	-35	-20	0	mV	–
Temperature coefficient of offset	–	+4	–	μV/V/°C	4
Combined pressure Non-linearity and pressure hysteresis	–	0.2	±0.5	%FS	3
Long-term stability of offset and sensitivity	–	0.1	–	%FS	9
Response time (10% to 90%)	–	100	–	μs	8
Input resistance	–	4.1	–	kOhm	6
Temperature coefficient of resistance	+690	+750	+810	ppm/°C	–
Output resistance	–	4.1	–	kOhm	7
Repeatability	–	0.5	–	%FS	5
SX7100D					
Characteristic	Min.	Typ.	Max.	Unit	Note
Sensitivity	0.2	0.3	0.4	mV/V/psi	–
Temperature coefficient of span	-2400	-2150	-1900	ppm/°C	4
Zero pressure offset	-35	-20	0	mV	–
Temperature coefficient of offset	–	+4	–	μV/V/°C	4
Combined pressure Non-linearity and pressure hysteresis	–	0.2	±0.5	%FS	3
Long-term stability of offset and sensitivity	–	0.1	–	%FS	9
Response time (10% to 90%)	–	100	–	μs	8
Input resistance	–	4.1	–	kOhm	6
Temperature coefficient of resistance	+690	+750	+810	ppm/°C	–
Output resistance	–	4.1	–	kOhm	7
Repeatability	–	0.5	–	%FS	5
SX7150D					
Characteristic	Min.	Typ.	Max.	Unit	Note
Sensitivity	0.1	0.15	0.2	mV/V/psi	–
Temperature coefficient of span	-2400	-2150	-1900	ppm/°C	4
Zero pressure offset	-35	-20	0	mV	–
Temperature coefficient of offset	–	+4	–	μV/V/°C	4
Combined pressure Non-linearity and pressure hysteresis	–	0.2	±0.5	%FS	3
Long-term stability of offset and sensitivity	–	0.1	–	%FS	9
Response time (10% to 90%)	–	100	–	μs	8
Input resistance	–	4.1	–	kOhm	6
Temperature coefficient of resistance	+690	+750	+810	ppm/°C	–
Output resistance	–	4.1	–	kOhm	7
Repeatability	–	0.5	–	%FS	5
SX7300D					
Characteristic	Min.	Typ.	Max.	Unit	Note
Sensitivity	0.033	0.04	0.06	mV/V/psi	–
Temperature coefficient of span	-2400	-2150	-1900	ppm/°C	4
Zero pressure offset	-16	0	16	mV	–
Temperature coefficient of offset	–	+4	–	μV/V/°C	4
Combined pressure Non-linearity and pressure hysteresis	–	0.2	±0.5	%FS	3
Long-term stability of offset and sensitivity	–	0.1	–	%FS	9
Response time (10% to 90%)	–	100	–	μs	8
Input resistance	–	4.1	–	kOhm	6
Temperature coefficient of resistance	+690	+750	+810	ppm/°C	–
Output resistance	–	4.1	–	kOhm	7
Repeatability	–	0.5	–	%FS	5

Notes:

- Reference Conditions: TA = 25°C Supply VS = 5 Vdc Common Mode Line Pressure = 0 psig Pressure applied to Port 2 only.
- Pressure Hysteresis is the maximum output difference at any point within the operating pressure range for increasing and decreasing pressure.
- Slope of the best straight line from 0 °C to 70 °C.
- Maximum difference in output at any pressure with the operating pressure range and the temperature range within 0 °C to 70 °C after:
 - 100 temperature cycles, 0 °C to 70 °C
 - 1.0 million pressure cycles, 0 psi to Full-Scale Span
- Input resistance is the impedance between Vs and ground.
- Output resistance is the impedance between + and - outputs.
- Response time for a 0 psi to Full-Scale Span pressure step change, 10% to 90% rise time.
- Long-term stability over a one year period.

Figure 1. Equivalent circuit**Figure 2. Pinout****Figure 3. Drawing****⚠ WARNING****PERSONAL INJURY**

DO NOT USE these products as safety or emergency stop devices or in any other application where failure of the product could result in personal injury.

Failure to comply with these instructions could result in death or serious injury.

⚠ WARNING**MISUSE OF DOCUMENTATION**

- The information presented in this product sheet is for reference only. Do not use this document as a product installation guide.
- Complete installation, operation, and maintenance information is provided in the instructions supplied with each product.

Failure to comply with these instructions could result in death or serious injury.

WARRANTY/REMEDY

Honeywell warrants goods of its manufacture as being free of defective materials and faulty workmanship. Honeywell's standard product warranty applies unless agreed to otherwise by Honeywell in writing; please refer to your order acknowledgement or consult your local sales office for specific warranty details. If warranted goods are returned to Honeywell during the period of coverage, Honeywell will repair or replace, at its option, without charge those items it finds defective. **The foregoing is buyer's sole remedy and is in lieu of all other warranties, expressed or implied, including those of merchantability and fitness for a particular purpose. In no event shall Honeywell be liable for consequential, special, or indirect damages.**

While we provide application assistance personally, through our literature and the Honeywell web site, it is up to the customer to determine the suitability of the product in the application.

Specifications may change without notice. The information we supply is believed to be accurate and reliable as of this printing. However, we assume no responsibility for its use.

SALES AND SERVICE

Honeywell serves its customers through a worldwide network of sales offices, representatives and distributors. For application assistance, current specifications, pricing or name of the nearest Authorized Distributor, contact your local sales office or:

E-mail: info.sc@honeywell.com

Internet: www.honeywell.com/sensing

Phone and Fax:

Asia Pacific	+65 6355-2828; +65 6445-3033 Fax
Europe	+44 (0) 1698 481481; +44 (0) 1698 481676 Fax
Latin America	+1-305-805-8188; +1-305-883-8257 Fax
USA/Canada	+1-800-537-6945; +1-815-235-6847 +1-815-235-6545 Fax

Sensing and Control
Honeywell
1985 Douglas Drive North
Golden Valley, MN 55422
www.honeywell.com/sensing

008180-2-EN IL50 GLO Printed in USA
April 2009
Copyright © 2009 Honeywell International Inc. All rights reserved.

Honeywell