

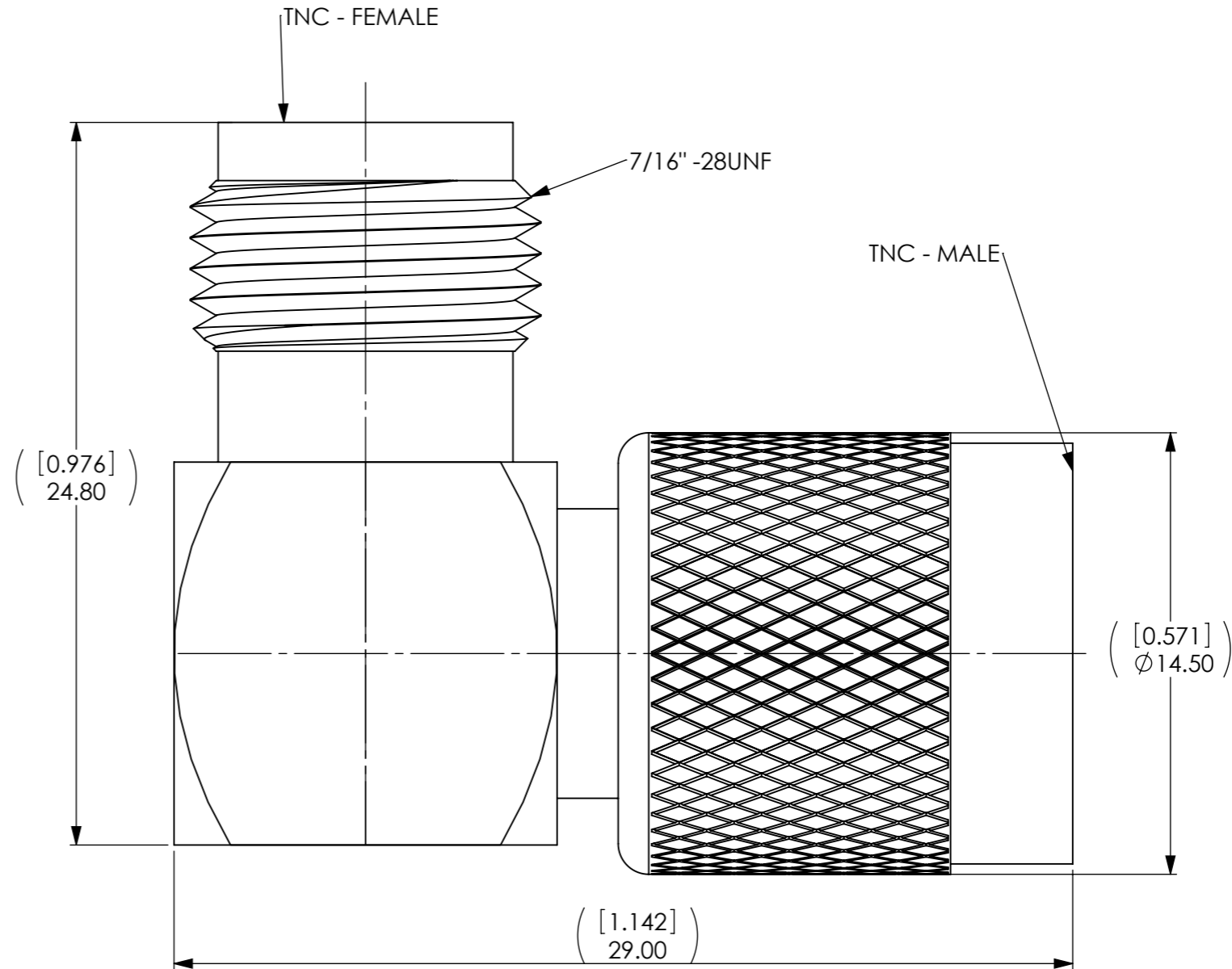
**NOTES:**

SPECIFICATIONS:  
 Impedance: 50 OHMS  
 Frequency Range: 0-4 GHz  
 VSWR: 0 - 7 GHz, 1.5 MAX.  
 Working Voltage: 500 V rms @ Sea Level  
 Insulation Resistance: 5k M Ohms min.

ALL DIMENSIONS ARE FOR REFERENCE ONLY

NO.	DESCRIPTION	MATERIAL	Q' TY	FINISH
1	BODY 1	BRASS	1	NICKEL
2	BODY 2	BRASS	1	NICKEL
3	INSULATION 1	DELTRIN	1	NONE
4	INSULATION 2	DELTRIN	1	NONE
5	SHELL	BRASS	1	NICKEL

REVISIONS					
ZONE	REV.	DESCRIPTION	DATE	DRAWN BY	ECR NUMBER
ALL	A	INITIAL RELEASE	5/23/2012	PFR	N/A



**Notes:**  
 THE COMPONENT(S), INCLUDING ANY PLATING, FINISHES, COATINGS, CHEMICALS AND SURFACES TREATMENTS, SUPPLIED IN THIS DOCUMENT/DRAWING MUST CONFORM AND COMPLY WITH THE LATEST ISSUE OF LAIRD TECHNOLOGIES SPECIFICATION LT-GES-001, WHICH FULLY INCLUDES BUT IS NOT LIMITED TO ALL CONTENTS OF EU DIRECTIVES 2002/96/EC (RoHS DIRECTIVE), AS WELL AS INCLUDES REQUIREMENTS OF THE JOINT INDUSTRY GUIDE STANDARD JIG-101, APRIL 2005. THE COMPONENT(S) IN THIS DOCUMENT/DRAWING MAY BE SUBJECT TO A FULL COMPOUND ANALYSIS FOR PROOF OF COMPLIANCE. THE LATEST ISSUE OF LAIRD TECHNOLOGIES SPECIFICATION LT-GES-001, (GENERAL SPECIFICATION FOR THE ENVIRONMENT) IS READILY AVAILABLE UPON REQUEST FROM THE SUPPLIER.

UNLESS OTHERWISE NOTED, THIS DOCUMENT CONTAINS LAIRD TECHNOLOGIES CONFIDENTIAL INFORMATION. REPRODUCTION, USE, DISCLOSURE OR TRANSMITTAL OF ALL OR ANY PART OF THIS DOCUMENT IS PROHIBITED EXCEPT TO THE EXTENT APPROVED IN WRITING BY AN AUTHORIZED REPRESENTATIVE OF LAIRD TECHNOLOGIES. LAIRD TECHNOLOGIES RESERVES ALL RIGHTS UNDER PATENTS, TRADEMARKS, COPY RIGHTS AND TRADE SECRETS. COPYRIGHT, LAIRD TECHNOLOGIES 2008, ALL RIGHTS RESERVED.

<b>MATERIAL:</b> SEE TABLE		THIRD ANGLE PROJECTION
<b>FINISH:</b> SEE TABLE		
<b>APPROVALS</b>	<b>DATE</b>	INTERPRET DIMENSIONING AND TOLERANCING IN ACCORDANCE WITH ASME Y14.5M-1994
<b>ME:</b>		<b>DO NOT SCALE DRAWING</b>
<b>RF:</b>		TOLERANCES UNLESS OTHERWISE SPECIFIED
<b>EM:</b>		DIMENSIONS ARE IN MILLIMETERS
<b>Prod:</b>		ANGLE: ±30' 0 PLACE DECIMAL: ±0.5 1 PLACE DECIMAL: ±0.25 2 PLACE DECIMAL: ±0.13
<b>WEIGHT:</b>	<b>PREVIOUS#</b>	

**Laird TECHNOLOGIES** 1751 WILKENING COURT  
 SCHAUMBURG, IL 60173  
 USA

**TITLE:** Adapter, TNC - Female to TNC - Male Plug

<b>SIZE</b> A3	<b>DWG NO.</b> CTNTNFRA	<b>REV</b> A
----------------	-------------------------	--------------