

Ecosine 60 Hz Passive Harmonic Filters



- The industry standard for 6-pulse rectifiers and motor drives
- The most compact 5% THID filter available
- Excellent behavior under partial load conditions
- Filters for diode rectifiers



Approvals



Technical specifications

Nominal operating voltage	3x 380 to 480 VAC ±10%
Operating frequency	60 Hz ±1 Hz
Total harmonic current distortion THID*	<5% @ rated power
Total demand distortion TDD	According to IEEE-519
Nominal motor drive input power rating	5 to 250 HP
Efficiency	98.5 to 99.5% @ nominal line voltage and power
High potential test voltage	P → E 2500 VAC (1 min)
Protection category	IP 20/NEMA 1
Cooling	Internal fan cooling
Ambient temperature range	-25°C to +50°C fully operational -25°C to +80°C transport and storage +50°C to +55°C derated operation***
Overload capability	1.6x rated current for 1 minute, once per hour
Flammability corresponding to	UL 94 V-2 or better
Design corresponding to	UL 508, EN 61558-2-20, CE (LVD 2006/95/EC)
MTBF @ 50°C/460 V (Mil-HB-217F)	200,000 hours
SCCR****	100 kA
Earthing System	TN, TT, IT

* System requirements: THVD <2%, line voltage unbalance <1%
Note: performance specifications in this brochure refer to six-pulse diode rectifiers. SCR rectifier front-ends will produce different results, dependent upon the firing angle of the thyristors.

** Ecosine filters reduce RMS input and peak current by reducing harmonic currents and improving true power factor.

*** $I_{derated} = I_{nominal} * \sqrt{\frac{(T_{max}-T_{amb})}{(T_{max}-T_{nominal})}} = I_{nominal} * \sqrt{\frac{(55^{\circ}C-T_{amb})}{5^{\circ}C}}$

**** External UL-rated fuses required. Please consult the user manual.

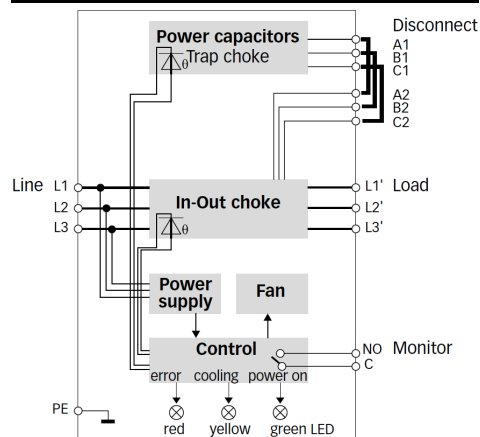
Features and benefits

Schaffner ecosine harmonic filters represent an economical solution to the challenge of load-applied harmonics mitigation in three-phase power systems. With a plug-and-play approach and more compact dimensions than comparable products, they can be quickly installed and easily commissioned. They increase the reliability and service life of electric installations, help utilize electric system capacity better, and are the key to meet Power Quality standards such as IEEE-519. Ecosine filters calm your harmonic waves. Schaffner ecosine filters can be applied to virtually any kind of power electronics with front-end six-pulse rectifiers, where harmonic current distortion needs to be reduced to defined limits. Typical applications, where the above-mentioned non-sinusoidal consumers of power can account for a significant portion of the load, include:

Typical applications

- Equipment with front-end six-pulse rectifier
- Motor drives
- Factory automation equipment
- Water/wastewater treatment facilities
- Fan and pump applications
- HVAC installations
- Mission-critical processes
- DC fast chargers

Typical electrical schematic



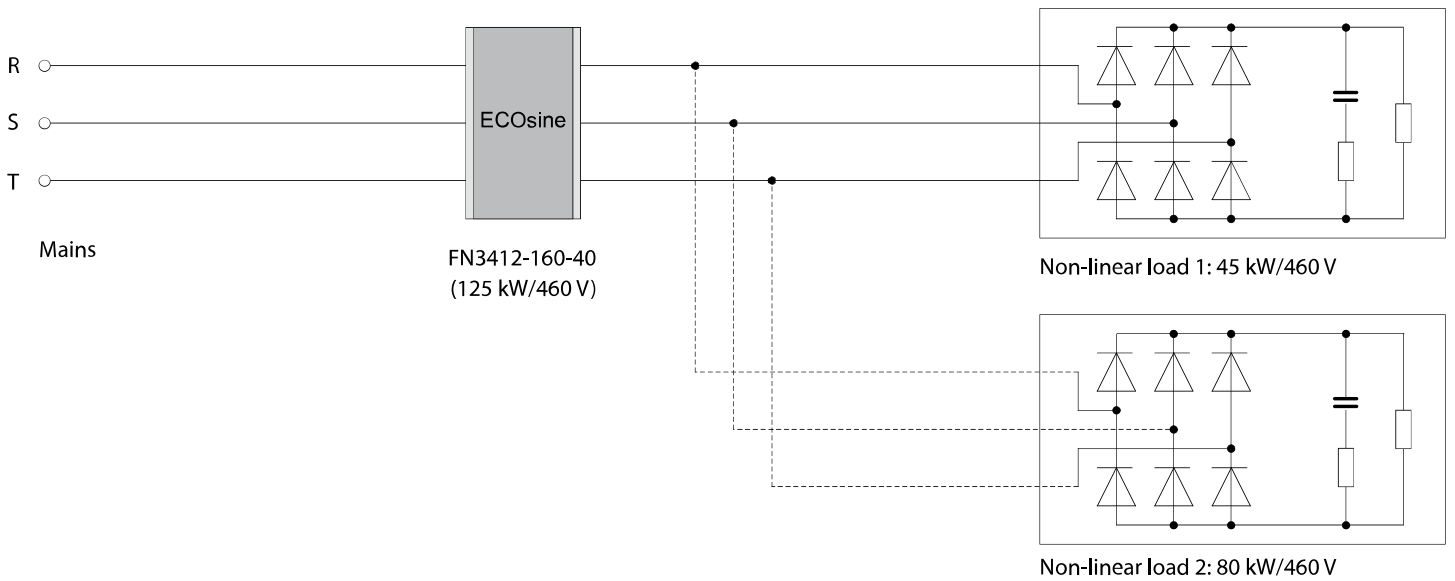
Filter selection table FN 3412

Filter*	Rated load power @ 460 VAC/60 Hz		Power loss** @ 460 V		Input/Output Connections		Capacitor disconnections	Weight	NEMA 1 covers***
	[HP]	[W]	[W]				[kg]	Order code	
FN 3412-8-44	5	56		-44		-44	12	803565	
FN 3412-11-44	7.5	84		-44		-44	13	803565	
FN 3412-15-44	10	112		-44		-44	17	803566	
FN 3412-21-44	15	168		-44		-44	21	803566	
FN 3412-28-33	20	209		-33		-44	28	803567	
FN 3412-35-33	25	261		-33		-44	32	803567	
FN 3412-41-33	30	291		-33		-44	35	803567	
FN 3412-53-34	40	328		-34		-33	48	803568	
FN 3412-65-34	50	373		-34		-33	52	803568	
FN 3412-80-35	60	403		-35		-34	69	803569	
FN 3412-105-35	75	447		-35		-34	77	803569	
FN 3412-130-35	100	522		-35		-34	87	803569	
FN 3412-160-40	125	559		-40		-35	124	803570	
FN 3412-190-40	150	671		-40		-35	132	803570	
FN 3412-240-99	200	746			-99	-35	185	803570	
FN 3412-310-99	250	932			-99	-35	202	803570	

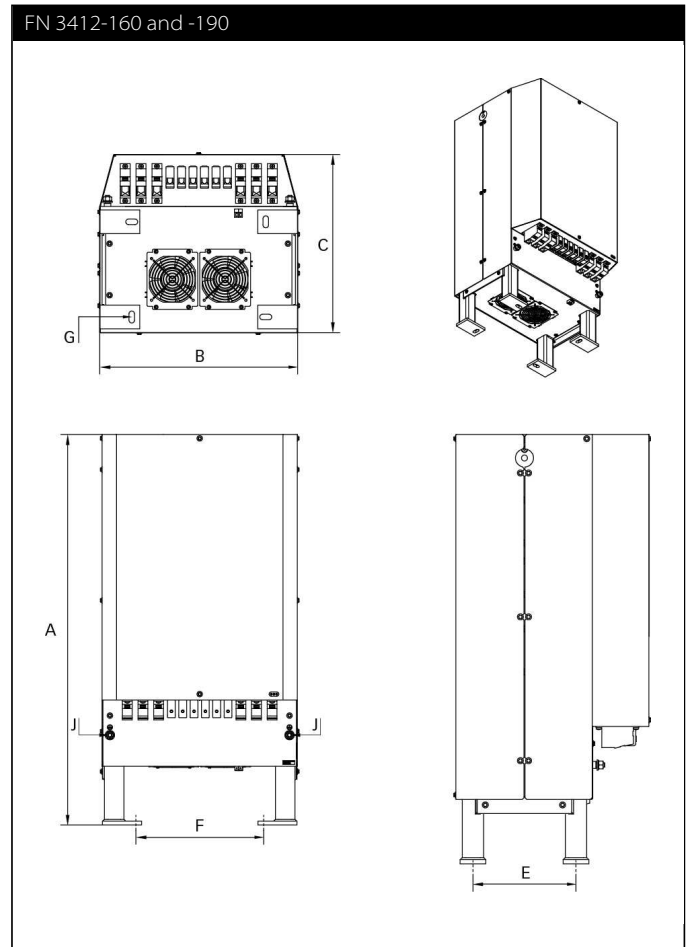
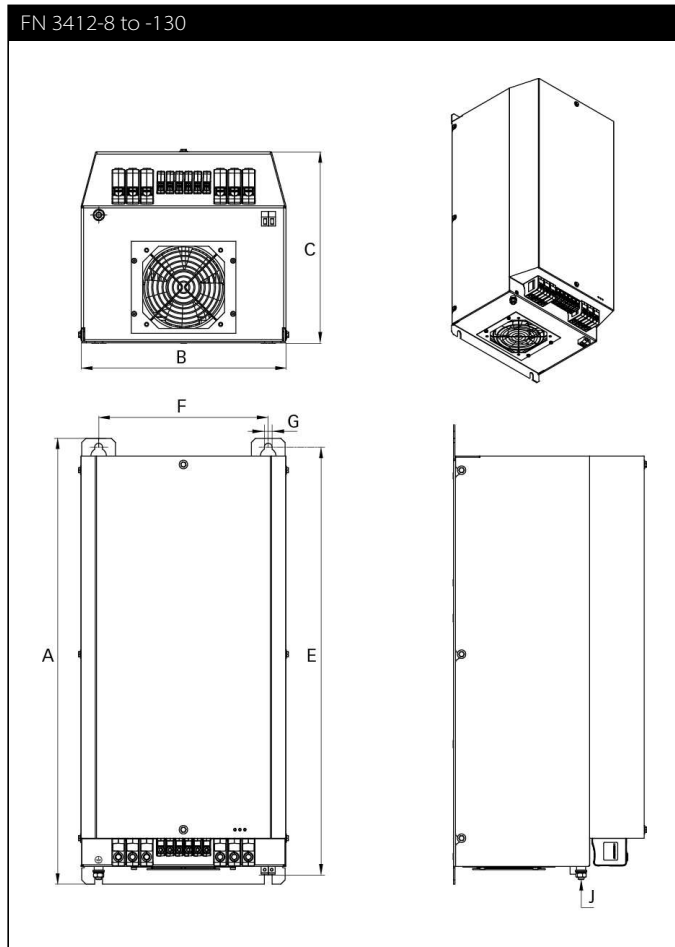
* Filter to be selected by system voltage and load (motor drive) power. Note: the harmonic filter will reduce the RMS input current. Example: the rated RMS input current of an unfiltered 460 V/20 HP/28 A drive will be reduced to approximately 20 A. Therefore, filter selection by current rating, as it is common for EMC/EMI filters, is not suitable.

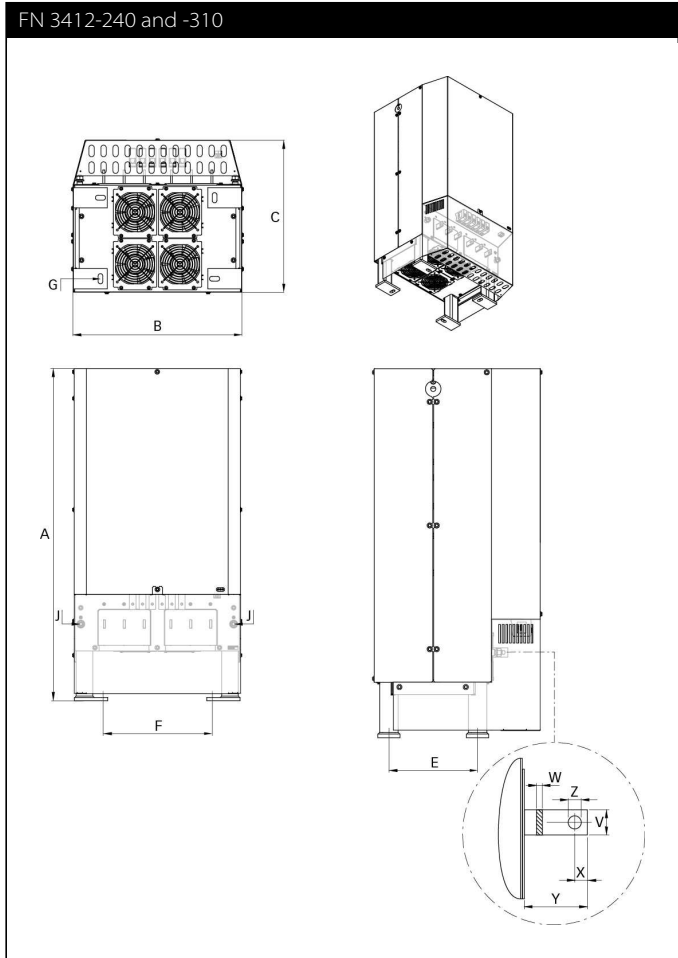
** Calculated power loss at rated load power.

*** Please contact your local Schaffner partner to order the optional NEMA 1 covers with the order code in the table above.



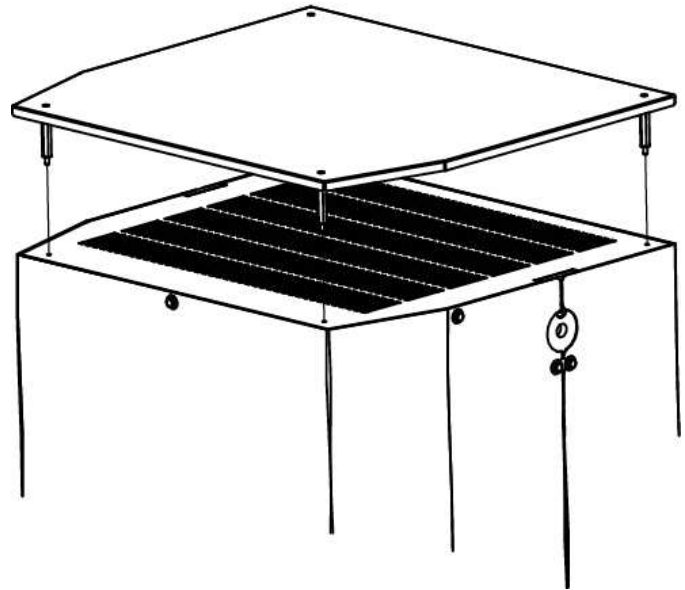
Mechanical data





Installation. All filters from FN 3412-8 to -130 are wall mountable and have to be operated vertically. The filters FN 3412-150 and higher are designed for floor mounting. In order to allow for sufficient air flow all filters must be clear on top and bottom min. 150 mm.

Optional NEMA 1 cover. All filters can be optionally fitted with a NEMA 1 cover. Please find order codes on previous pages.



Dimensions FN 3412

60 Hz	8	11	15	21	28	35	41	53	65	80	105	130	160	190	240	310
A	400	400	430	430	520	520	520	590	590	750	750	750	1000	1000	1000	1000
B	170	170	210	210	250	250	250	300	300	320	320	320	500	500	500	500
C	190	190	210	210	280	280	280	300	300	300	300	300	450	450	450	450
E	380	380	410	410	495	495	495	565	565	725	725	725	240	240	240	240
F	130	130	170	170	200	200	200	250	250	270	270	270	338	338	338	338
G	7	7	9	9	11	11	11	11	11	11	11	11	14x30	14x30	14x30	14x30
J	M6	M6	M6	M6	M8	M8	M8	M8	M8	M10	M10	M10	M10	M10	M10	M10
V															25	25
W															6	6
X															12.5	12.5
Y															40	40
Z															11	11

All dimensions in mm; 1 inch = 25.4 mm
Tolerances according to: ISO 2768-m/EN 22768-m

Filter connector cross sections

	-33	-34	-35	-40	-44
Solid wire	16 mm ²	35 mm ²	50 mm ²	95 mm ²	10 mm ²
Flex wire	10 mm ²	25 mm ²	50 mm ²	95 mm ²	6 mm ²
AWG type wire	AWG 6	AWG 2	AWG 1/0	AWG 4/0	AWG 8
Recommended torque	1.5-1.8 Nm	4.0-4.5 Nm	7-8 Nm	17-20 Nm	1.0-1.2 Nm

Please visit www.schaffner.com to find more details on filter connectors.



Headquarters, global innovation and development

Switzerland

Schaffner Group

Nordstrasse 11
4542 Luterbach
T +41 32 681 66 26
info@schaffner.com
www.schaffner.com



Sales and application centers

China

Schaffner EMC Ltd. Shanghai

T20-3 C, No 565 Chuangye Road,
Pudong district
201201 Shanghai
T +86 21 3813 9500
cschina@schaffner.com
www.schaffner.com.cn

Finland

Schaffner Oy

Sauvonrinne 19 H
08500 Lohja
T +358 50 468 7284
finlandsales@schaffner.com

France

Schaffner EMC S.A.S.

16-20 Rue Louis Rameau
95875 Bezons
T +33 1 34 34 30 60
F +33 1 39 47 02 28
francesales@schaffner.com

Germany

Schaffner Deutschland GmbH

Schoemperlenstrasse 12B
76185 Karlsruhe
T +49 721 56910
F +49 721 569110
germanysales@schaffner.com

India

Schaffner India Pvt. Ltd

REGUS WORLD TRADE CENTRE
WTC, 22nd Floor Unit No 2238, Brigade
Gateway Campus, 26/1, Dr. Rajkumar Road
Mallechwaram (W)
560055 Bangalore
T +91 80 67935355
indiasales@schaffner.com

Italy

Schaffner EMC S.r.l.

Via Ticino, 30
20900 Monza (MB)
T +39 039 21 41 070
italysales@schaffner.com

Japan

Schaffner EMC K.K.

1-32-12, Kamiyama, Setagaya-ku
7F Mitsui-seimei Sangenjaya Bldg.
154-0011 Tokyo
T +81 3 5712 3650
F +81 3 5712 3651
japansales@schaffner.com
www.schaffner.jp

Singapore

Schaffner EMC Pte Ltd.

#05-09, Kg Ubi Ind. Estate
408705 Singapore
T +65 6377 3283
F +65 6377 3281
singaporesales@schaffner.com

Spain

Schaffner EMC España

Calle Caléndula 93, Miniparc III, Edificio E
El Soto de Moraleja, Alcobendas
28109 Madrid
T +34 917 912 900
F +34 917 912 901
spainsales@schaffner.com

Sweden

Schaffner EMC AB

Tegeluddsvägen 76, 2tr
115 28 Stockholm
T +46 8 5050 2425
swedensales@schaffner.com
www.schaffner.com

Switzerland

Schaffner EMV AG

Nordstrasse 11
4542 Luterbach
T +41 32 681 66 26
switzerlandsales@schaffner.com

Taiwan R.O.C.

Schaffner EMV Ltd.

20 Floor-2, No 97, Section 1, XinTai 5th Road
22175 XiZhi District New Taipei City 22175
T +886 2 2697 5500
F +886 2 2697 5533
taiwansales@schaffner.com
www.schaffner.com.tw

Thailand

Schaffner EMC Co. Ltd.

Northern Region Industrial Estate
67 Moo 4 Tambon Ban Klang
Amphur Muangng P.O. Box 14
51000 Lamphun
T +66 53 58 11 04
F +66 53 58 10 19
thailandsales@schaffner.com

United Kingdom

Schaffner Ltd.

5 Ashville Way, Molly Millars Lane
Wokingham
RG41 2PL Berkshire
T +44 118 9770070
F +44 118 9792969
uksales@schaffner.com

USA

Schaffner EMC Inc.

52 Mayfield Avenue
08837 Edison, New Jersey
T +1 800 367 5566
T +1 732 225 9533
F +1 732 225 4789
usasales@schaffner.com
www.schaffnerusa.com

Schaffner North America

6722 Thirlane Road
24019 Roanoke, Virginia
T +1 276 228 7943
F +1 276 228 7953

Schaffner North America

823 Fairview Road
24382 Wytheville, Virginia
T +1 276 228 7943
F +1 276 228 7258

To find your local partner within Schaffner's global network: www.schaffner.com

© 2018 Schaffner Group

The content of this document has been carefully checked and understood. However, neither Schaffner nor its subsidiaries assume any liability whatsoever for any errors or inaccuracies of this document and the consequences thereof. Published specifications are subject to change without notice. Product suitability for any area of application must ultimately be determined by the customer. In all cases, products must never be operated outside their published specifications. Schaffner does not guarantee the availability of all published products. This disclaimer shall be governed by substantive Swiss law and resulting disputes shall be settled by the courts at the place of business of Schaffner Holding AG. Latest publications and a complete disclaimer can be downloaded from the Schaffner website. All trademarks recognized.