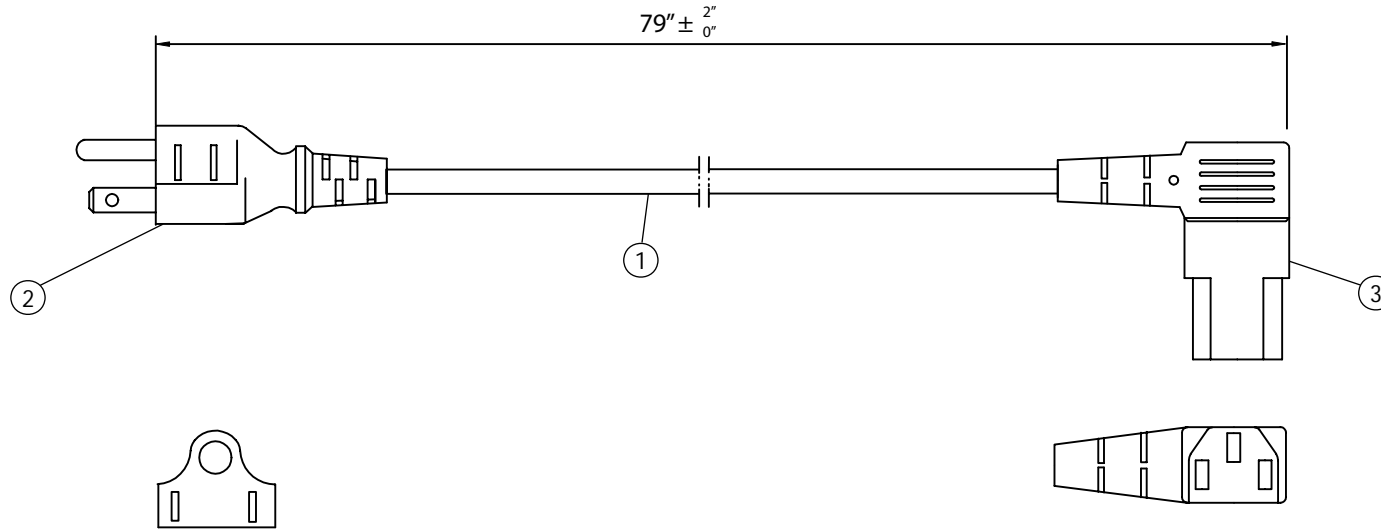


THESE DRAWINGS ARE THE PROPERTY OF QUALTEK ELECTRONICS AND NOT TO BE REPRODUCED FOR OR COMMUNICATED TO A THIRD PARTY WITHOUT THE EXPRESS WRITTEN PERMISSION OF AN OFFICER OF QUALTEK ELECTRONICS.

REVISION			
REV.	DESCRIPTION	DATE	APPROVED
B	RoHS Compliancy	06-01-06	DP



NOTES:

1. CORDAGE: SVT, 18AWG / 3C, SHIELDED W/ MYLAR FOIL, CEE COLOR CODE, TEMP. RATING: 60°C, RATING: 125V 10A, JACKET COLOR: BLACK
2. PLUG: NEMA 5-15P
3. CONNECTOR: IEC 60320 C13 RIGHT ANGLED
4. APPROVALS: UL, CSA
5. ROHS COMPLIANT

CONTROLLED

Dim range (mm)		Tolerance +/- (mm)		Qualtek Electronics Corp. PPC DIVISION		
0-1		0.15		Part Number: 313015-01 RoHS Compliant		
1-6		0.20		Description: POWER CORD		
6-18		0.30		UNIT: in REV. B		
18-50		0.50		Approved / Date		
50-120		0.70		Drawn / Date	Checked / Date	Approved / Date
120-250		0.90		B.ZHANG 04-19-02	04-19-02	JJH / 04-19-02
250-500		1.20				