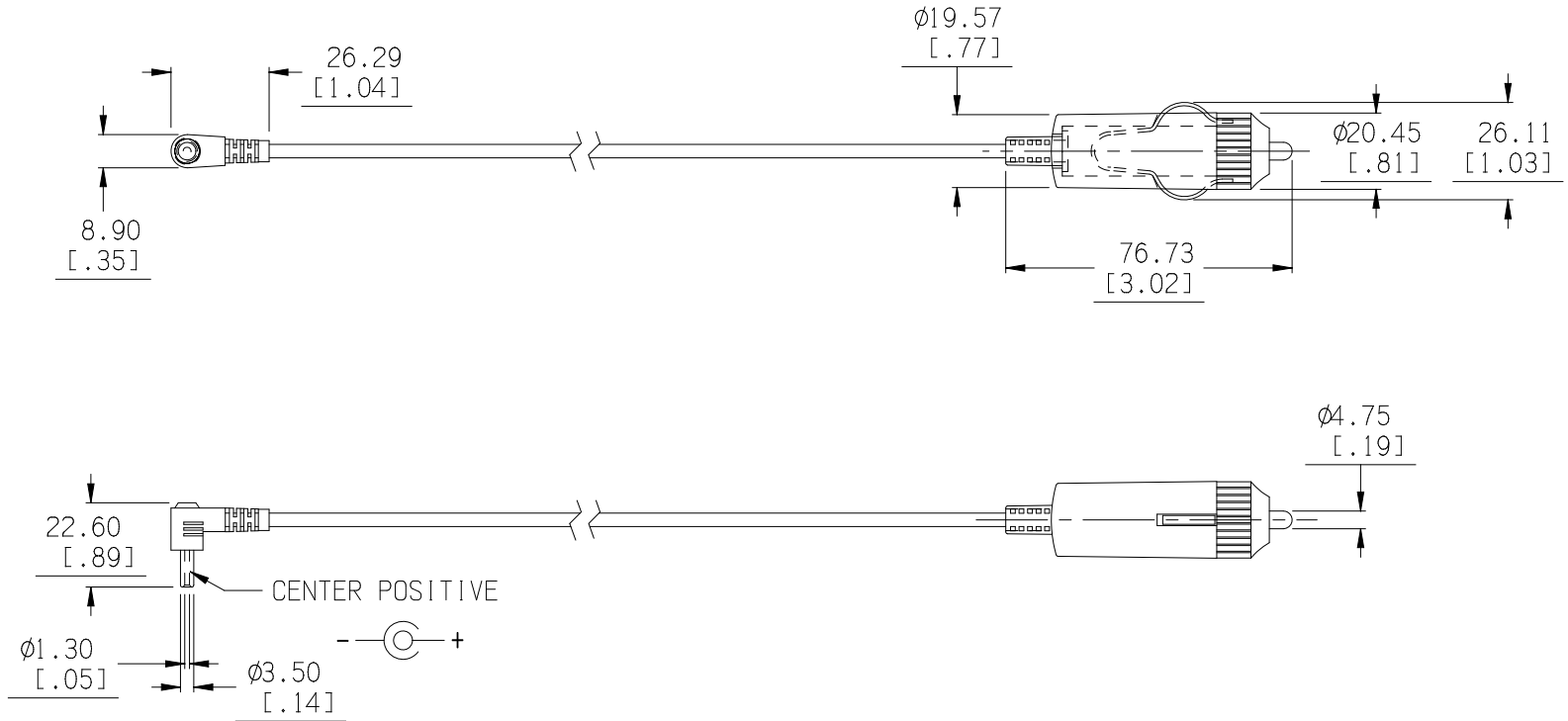



Date	SYM	REVISION RECORD	AUTH	DR.	CK.
02/15/03	A	400mm LONG,(0.12/10 x 2) x 1C , OD3.5 WAS 400mm LONG	T.B.	B.S.	
07/06/12	B	Added wire Gauge	T.B.	B.S.	



BILL OF MATERIAL			Tolerance (Inches)	 Memory Protection Devices, Inc. 200 Broad Hollow Road, Farmingdale, New York 11735
PART #	QTY.	DESCRIPTION		
ZA1030	1	CIGARETTE PLUG FOR 21 OR 22.2mm DIA. SOCKETS	Decimal	Scale Drawn By B.S. Approved By T.B.
PLUG	1	DC MOLDED PLUG, 1.3mm x 3.5mm, RIGHT ANGLE	$\pm .5$ (.020)	
CORD	1	400mm LONG, 22AWG, UL 2468(0.12/10 x 2) x 1C, OD3.5	Fractional $\pm .8$ (.030)	Title AUTO POWER CORD SET, RIGHT ANGLE 1.3mm DC PLUG
			Angular $\pm 3^\circ$	Date 07/06/12 Drawing Number ZA5036