

## General Description

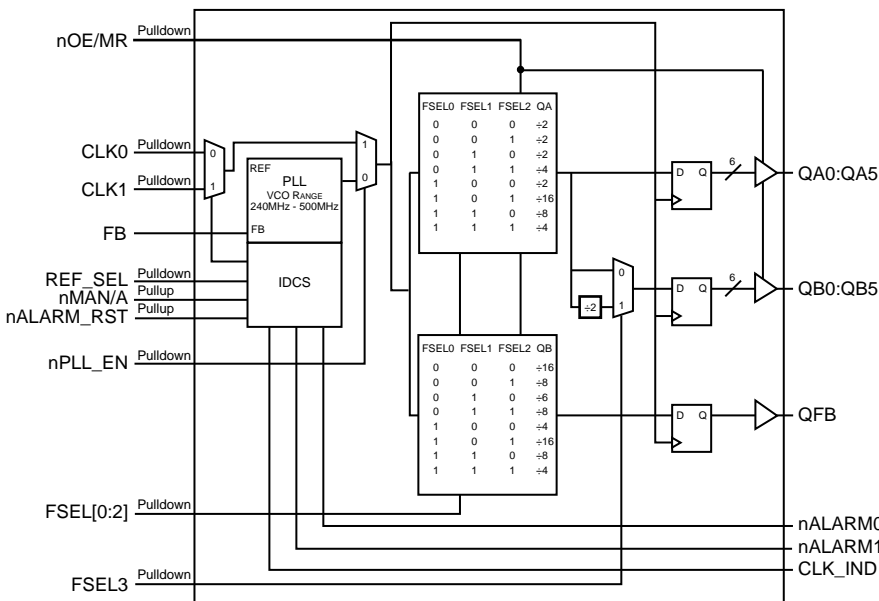
The 879893 is a PLL clock driver designed specifically for redundant clock tree designs. The device receives two LVCMOS/LVTTL clock signals from which it generates 12 new LVCMOS/LVTTL clock outputs. External PLL feedback is used to also provide zero delay buffer performance.

The 879893 Intelligent Dynamic Clock Switch (IDCS) circuit continuously monitors both input CLK signals. Upon detection of a failure (CLK stuck HIGH or LOW for at least 1 period), the nALARM for that CLK will be latched (LOW). If that CLK is the primary clock, the IDCS will switch to the good secondary clock and phase/frequency alignment will occur with minimal output phase disturbance.

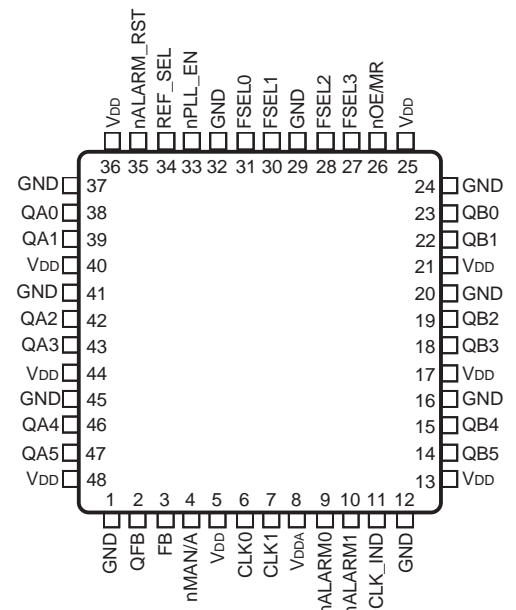
## Features

- Twelve LVCMOS/LVTTL outputs (two banks of six outputs); One QFB feedback clock output
- Selectable CLK0 or CLK1 LVCMOS/LVTTL clock inputs
- CLK0, CLK1 supports the following input types: LVCMOS, LVTTL
- Automatically detects clock failure
- IDCS on-chip intelligent dynamic clock switch
- Maximum output frequency: 200MHz
- Output skew: 50ps (maximum), within bank
- Cycle-to-cycle (FSEL3=0,  $V_{DD}=3.3V\pm 5\%$ ): 150ps (maximum)
- Smooth output phase transition during clock fail-over switch
- Full 3.3V or 2.5V supply modes
- -40°C to 85°C ambient operating temperature
- Available in lead-free (RoHS 6) package
- **For functional replacement part use 87973i**

## Simplified Block Diagram



## Pin Assignment



**879893**

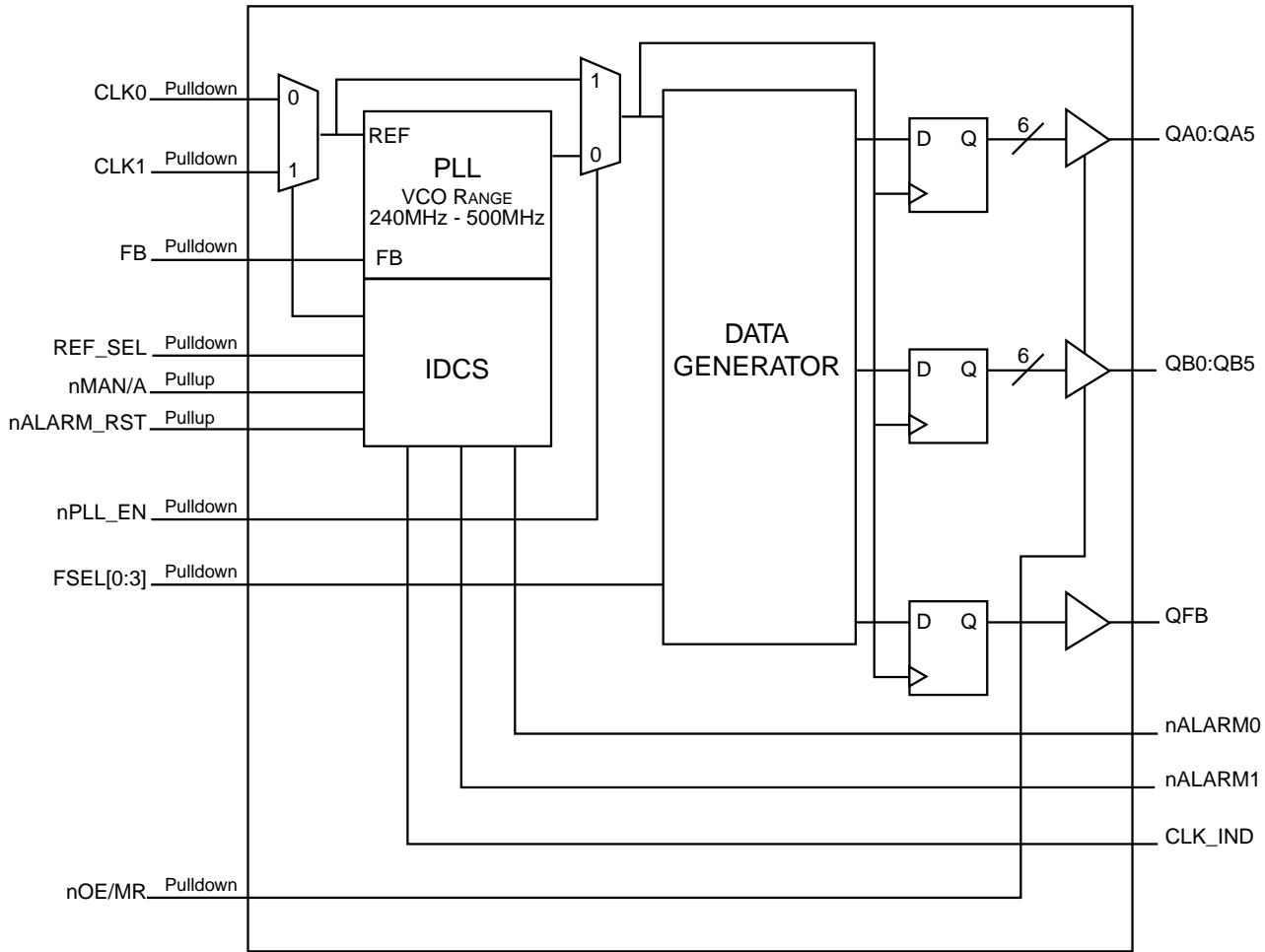
**48-Lead LQFP**

**7mm x 7mm x 1.4mm package body**

**Y Package**

**Top View**

## Block Diagram



**Table 1. Pin Descriptions**

Number	Name	Type		Description
1, 12, 16, 20, 29, 32, 37, 41, 45	GND	Power		Power supply ground.
2	QFB	Output		Clock feedback output. LVCMOS / LVTTTL interface levels.
3	FB	Input	Pulldown	Feedback control input. LVCMOS / LVTTTL interface levels.
4	nMAN/A	Input	Pullup	Manual alarm input. Selects automatic switch mode or manual reference clock. Clock failure detection, and nALARM_RST and CLK_IND output flags are enabled. When LOW, IDCS is disabled. When HIGH, IDCS is enabled. IDCS overrides REF_SEL on a clock failure. IDCS operation requires nPLL_EN = 0. LVCMOS / LVTTTL interface levels.
5, 13, 17, 21, 25, 36, 40, 44, 48	V <sub>DD</sub>	Power		Core supply pins.
6, 7	CLK0, CLK1	Input	Pulldown	Single-ended clock inputs. LVCMOS/LVTTTL interface levels.
8	V <sub>DDA</sub>	Power		Analog supply pin.
9	nALARM0	Output		When LOW, indicates clock failure on CLK0. LVCMOS / LVTTTL interface levels.
10	nALARM1	Output		When LOW, indicates clock failure on CLK1. LVCMOS / LVTTTL interface levels.
11	CLK_IND	Output		Indicates currently selected input reference clock. When LOW, CLK0 is the reference clock. When HIGH, CLK1 is the reference clock. LVCMOS / LVTTTL interface levels.
14, 15, 18, 19, 22, 23	QB5, QB4, QB3, QB2, QB1, QB0	Output		Single-ended Bank B clock outputs. LVCMOS/LVTTTL interface levels.
26	nOE/MR	Input	Pulldown	Active High Master Reset. Active Low Output Enable. When logic LOW, the internal dividers and the outputs are enabled. When logic HIGH, the internal dividers are reset and the outputs are in a high-impedance state. LVCMOS / LVTTTL interface levels.
27, 28, 30, 31	FSEL3, FSEL2, FSEL1, FSEL0	Input	Pulldown	Clock frequency selection and configuration of clock divider modes. LVCMOS / LVTTTL interface levels.
33	nPLL_EN	Input	Pulldown	Selects PLL or static test mode. When LOW, PLL is enabled. When HIGH, PLL is bypassed and IDCS is disabled. The VCO output is replaced by the reference clock signal fREF. LVCMOS / LVTTTL interface levels.
34	REF_SEL	Input	Pulldown	Selects the primary reference clock. When LOW, selects CLK0 as the primary clock source. When HIGH, selects CLK1 as the primary clock source. LVCMOS / LVTTTL interface levels.
35	nALARM_RST	Input	Pullup	Resets the alarm flags and selected reference clock. LVCMOS / LVTTTL interface levels.
38, 39 42, 43, 46, 47	QA0, QA1, QA2, QA3, QA4, QA5	Output		Single-ended Bank A clock outputs. LVCMOS/LVTTTL interface levels.

NOTE: Pullup and Pulldown refer to internal input resistors. See Table 2, Pin Characteristics, for typical values.

**Table 2. Pin Characteristics**

Symbol	Parameter	Test Conditions	Minimum	Typical	Maximum	Units
C <sub>IN</sub>	Input Capacitance			4		pF
C <sub>PD</sub>	Power Dissipation Capacitance	V <sub>DD</sub> = 3.465V		9		pF
		V <sub>DD</sub> = 2.625V		9		pF
R <sub>PULLUP</sub>	Input Pullup Resistor			51		kΩ
R <sub>PULLDOWN</sub>	Input Pulldown Resistor			51		kΩ
R <sub>OUT</sub>	Output Impedance			14		Ω

## Function Tables

**Table 3. Clock Frequency Function Table**

Inputs				f <sub>REF</sub> Range (MHz)	Outputs				
FSEL0	FSEL1	FSEL2	FSEL3		Ratio	fQAx (MHz)	Ratio	fQBx (MHz)	QFB
0	0	0	0	15 – 25	f <sub>REF</sub> * 8	120 – 200	f <sub>REF</sub> * 8	120 – 200	f <sub>REF</sub>
0	0	0	1				f <sub>REF</sub> * 4	60 – 100	f <sub>REF</sub>
0	0	1	0	30 – 50	f <sub>REF</sub> * 4	120 – 200	f <sub>REF</sub> * 4	120 – 200	f <sub>REF</sub>
0	0	1	1				f <sub>REF</sub> * 2	60 – 100	f <sub>REF</sub>
0	1	0	0	40 – 66.66	f <sub>REF</sub> * 3	120 – 200	f <sub>REF</sub> * 3	120 – 200	f <sub>REF</sub>
0	1	0	1				f <sub>REF</sub> * 3 ÷ 2	60 – 100	f <sub>REF</sub>
0	1	1	0	30 – 62.5	f <sub>REF</sub> * 2	60 – 125	f <sub>REF</sub> * 2	60 – 125	f <sub>REF</sub>
0	1	1	1				f <sub>REF</sub> * 1	30 – 75	f <sub>REF</sub>
1	0	0	0	60 – 100	f <sub>REF</sub> * 2	120 – 200	f <sub>REF</sub> * 2	120 – 200	f <sub>REF</sub>
1	0	0	1				f <sub>REF</sub>	60 – 100	f <sub>REF</sub>
1	0	1	0	15 – 31.25	f <sub>REF</sub>	15 – 31.25	f <sub>REF</sub>	15 – 31.25	f <sub>REF</sub>
1	0	1	1				f <sub>REF</sub> ÷ 2	7.5 – 15.62	f <sub>REF</sub>
1	1	0	0	30 – 62.5	f <sub>REF</sub>	30 – 62.5	f <sub>REF</sub>	20 – 62.5	f <sub>REF</sub>
1	1	0	1				f <sub>REF</sub> ÷ 2	15 – 31.25	f <sub>REF</sub>
1	1	1	0	60 – 100	f <sub>REF</sub>	60 – 100	f <sub>REF</sub>	60 – 100	f <sub>REF</sub>
1	1	1	1				f <sub>REF</sub> ÷ 2	30 – 50	f <sub>REF</sub>

## Absolute Maximum Ratings

NOTE: Stresses beyond those listed under *Absolute Maximum Ratings* may cause permanent damage to the device. These ratings are stress specifications only. Functional operation of product at these conditions or any conditions beyond those listed in the *DC Characteristics* or *AC Characteristics* is not implied. Exposure to absolute maximum rating conditions for extended periods may affect product reliability.

Item	Rating
Supply Voltage, $V_{DD}$	4.6V
Inputs, $V_I$	-0.5V to $V_{DD} + 0.5V$
Outputs, $V_O$	-0.5V to $V_{DD} + 0.5V$
Package Thermal Impedance, $\theta_{JA}$	47.9°C/W (0 lfpm)
Storage Temperature, $T_{STG}$	-65°C to 150°C

## DC Electrical Characteristics

**Table 4A. Power Supply DC Characteristics,  $V_{DD} = 3.3V \pm 5\%$ ,  $T_A = -40^\circ\text{C}$  to  $85^\circ\text{C}$**

Symbol	Parameter	Test Conditions	Minimum	Typical	Maximum	Units
$V_{DD}$	Positive Supply Voltage		3.135	3.3	3.465	V
$V_{DDA}$	Analog Supply Voltage		3.135	3.3	3.465	V
$I_{DD}$	Power Supply Current				195	mA
$I_{DDA}$	Analog Supply Current				13	mA

**Table 4B. Power Supply DC Characteristics,  $V_{DD} = 2.5V \pm 5\%$ ,  $T_A = -40^\circ\text{C}$  to  $85^\circ\text{C}$**

Symbol	Parameter	Test Conditions	Minimum	Typical	Maximum	Units
$V_{DD}$	Positive Supply Voltage		2.375	2.5	2.625	V
$V_{DDA}$	Analog Supply Voltage		2.375	2.5	2.625	V
$I_{DD}$	Power Supply Current				173	mA
$I_{DDA}$	Analog Supply Current				13	mA

**Table 4C. LVC MOS/LVTTL DC Characteristics,  $V_{DD} = 3.3V \pm 5\%$  or  $2.5V \pm 5\%$ ,  $T_A = -40^{\circ}C$  to  $85^{\circ}C$** 

Symbol	Parameter	Test Conditions	Minimum	Typical	Maximum	Units
$V_{IH}$	Input High Voltage	$V_{DD} = 3.465V$	2		$V_{DD} + 0.3$	V
		$V_{DD} = 2.625V$	1.7		$V_{DD} + 0.3$	V
$V_{IL}$	Input Low Voltage	FSEL[0:3], FB, nOE/MR, nMAN/A, nALARM_RST[0:1], nPLL_EN, REF_SEL $V_{DD} = 3.465V$	-0.3		0.8	V
		FSEL[0:3], FB, nOE/MR, nMAN/A, nALARM_RST, nPLL_EN, REF_SEL $V_{DD} = 2.625V$	-0.3		0.7	V
		CLK0, CLK1 $V_{DD} = 3.465V$ or $2.625V$	-0.3		1.3	V
$I_{IH}$	Input High Current	nMAN/A, nALARM_RST $V_{DD} = V_{IN} = 3.465V$ or $2.625V$			5	$\mu A$
		CLK0, CLK1, FB, nOE/MR, FSEL[0:3], nPLL_EN, REF_SEL $V_{DD} = V_{IN} = 3.465V$ or $2.625V$			200	$\mu A$
$I_{IL}$	Input Low Current	nMAN/A, nALARM_RST $V_{DD} = 3.465V$ or $2.625V$ , $V_{IN} = 0V$	-200			$\mu A$
		CLK0, CLK1, FB, nOE/MR, FSEL[0:3], nPLL_EN, REF_SEL $V_{DD} = 3.465V$ or $2.625V$ , $V_{IN} = 0V$	-5			$\mu A$
$V_{OH}$	Output High Voltage	$V_{DD} = 3.465V$ , $I_{OH} = -24mA$	2.4			V
		$V_{DD} = 2.625V$ , $I_{OH} = -15mA$	1.8			V
$V_{OL}$	Output Low Voltage	$V_{DD} = 3.465V$ , $I_{OL} = 24mA$			0.55	V
		$V_{DD} = 3.465V$ , $I_{OL} = 12mA$			0.30	V
		$V_{DD} = 2.625V$ , $I_{OL} = 15mA$			0.6	V

Unless otherwise noted, outputs terminated with  $50\Omega$  to  $V_{DD}/2$ .  
See Parameter Measurement Information section. *Load Test Circuit diagrams.*

## AC Electrical Characteristics

**Table 5A. AC Characteristics,  $V_{DD} = 3.3V \pm 5\%$ ,  $T_A = -40^\circ\text{C}$  to  $85^\circ\text{C}$**

Parameter	Symbol	Test Conditions	Minimum	Typical	Maximum	Units
$f_{OUT}$	Output Frequency		7.5		200	MHz
$f_{REF}$	Input Frequency		15		100	MHz
BW	PLL Closed Loop Bandwidth			0.8 to 4		MHz
$t(\emptyset)$	Propagation Delay, (Static Phase Offset, CLKx to FB); NOTE 1, 2, 3	$V_{DD} = 3.3V \pm 5\%$ ; FSEL = 111x	-35		120	ps
		$V_{DD} = 3.3V \pm 5\%$	-35		130	ps
$t_{sk(o)}$	Output Skew; NOTE 1, 2, 3, 4	within bank			50	ps
		bank-to-bank			135	ps
		any output to QFB			315	ps
$\Delta t$	Rate of Period Change; NOTE 2	$f_{REF} = 62.5\text{MHz}$ , FSEL = 1000			160	ps/cycle
		FSEL = XXX0		100	280	ps/cycle
		FSEL = XXX1		200	425	ps/cycle
$f_{jit(cc)}$	Cycle-to-Cycle Jitter; NOTE 2, 3	FSEL3 = 0			150	ps
		FSEL3 = 1			190	ps
$\Delta t_{CYCLE}$	Output Clock Period Deviation when switching from primary input to secondary; NOTE 2	$f_{REF} = 62.5\text{MHz}$ , FSEL = 1000	-600		700	ps
			-800		800	ps
$f_{jit(per)}$	Period Jitter; NOTE 2, 3	FSEL3 = 0			150	ps
		FSEL3 = 1, measured on QBx			150	ps
$f_{jit}(\emptyset)$	I/O Phase Jitter, ( $1\sigma$ ); NOTE 2, 3	FB = 4; FSEL [0:2] = 100 or 111 ( $1\sigma$ )			25	ps
		FB = 6; FSEL [0:2] = 010 ( $1\sigma$ )			25	ps
		FB = 8; FSEL [0:2] = 001, 011 or 110 ( $1\sigma$ )			35	ps
		FB = 16; FSEL [0:2] = 000 or 101 ( $1\sigma$ )			25	ps
$t_R / t_F$	Output Rise/Fall Time	20% to 80%	250		600	ps
$t_{PZL}, t_{PZH}$	Output Enable Time; NOTE 2				10	ns
$t_{PLZ}, t_{PHZ}$	Output Disable Time; NOTE 2				10	ns
$t_L$	PLL Lock Time; NOTE 2				10	ms
odc	Output Duty Cycle		45	50	55	%

All parameters measured at  $f_{MAX}$  unless noted otherwise.

NOTE 1: Defined as the time difference between the input reference clock and the average feedback input signal, when the PLL is locked and the input reference frequency is stable.

NOTE 2: These parameters are guaranteed by characterization. Not tested in production.

NOTE 3: This parameter is defined in accordance with JEDEC Standard 65.

NOTE 4: Defined as skew between outputs at the same supply voltage and with equal load conditions. Measured at  $V_{DD}/2$ .

**Table 5B. AC Characteristics,  $V_{DD} = 2.5V \pm 5\%$ ,  $T_A = -40^\circ C$  to  $85^\circ C$** 

Parameter	Symbol	Test Conditions	Minimum	Typical	Maximum	Units
$f_{OUT}$	Output Frequency		7.5		200	MHz
$f_{REF}$	Input Frequency		15		100	MHz
BW	PLL Closed Loop Bandwidth			0.8 to 4		MHz
$t(\emptyset)$	Propagation Delay, (Static Phase Offset, CLKx to FB); NOTE 1, 2, 3	$V_{DD} = 3.3V \pm 5\%$ ; FSEL = 111x	-55		120	ps
		$V_{DD} = 3.3V \pm 5\%$	-55		130	ps
$t_{sk(o)}$	Output Skew; NOTE 1, 2, 3, 4	within bank			50	ps
		bank-to-bank			135	ps
		any output to QFB			280	ps
$\Delta t$	Rate of Period Change; NOTE 2	$f_{REF} = 62.5MHz$ , FSEL = 1000			175	ps/cycle
		FSEL = XXX0			260	ps/cycle
		FSEL = XXX1			350	ps/cycle
$f_{jit(cc)}$	Cycle-to-Cycle Jitter; NOTE 2, 3	FSEL3 = 0			180	ps
		FSEL3 = 1			245	ps
$\Delta t_{CYCLE}$	Output Clock Period Deviation when switching from primary input to secondary; NOTE 2	$f_{REF} = 62.5MHz$ , FSEL = 1000	-600		700	ps
			-800		850	ps
$f_{jit(per)}$	Period Jitter; NOTE 2, 3	FSEL3 = 0			150	ps
		FSEL3 = 1, measured on QBx			150	ps
$f_{jit(\emptyset)}$	I/O Phase Jitter, (1 $\sigma$ ); NOTE 2, 3	FB = 4; FSEL [0:2] = 100 or 111 (1 $\sigma$ )			30	ps
		FB = 6; FSEL [0:2] = 010 (1 $\sigma$ )			40	ps
		FB = 8; FSEL [0:2] = 001, 011 or 110 (1 $\sigma$ )			25	ps
		FB = 16; FSEL [0:2] = 000 or 101 (1 $\sigma$ )			30	ps
$t_R / t_F$	Output Rise/Fall Time	20% to 80%	250		600	ps
$t_{PZL}, t_{PZH}$	Output Enable Time; NOTE 2				10	ns
$t_{PLZ}, t_{PHZ}$	Output Disable Time; NOTE 2				10	ns
$t_L$	PLL Lock Time; NOTE 2				10	ms
odc	Output Duty Cycle		45	50	55	%

All parameters measured at  $f_{MAX}$  unless noted otherwise.

NOTE 1: Defined as the time difference between the input reference clock and the average feedback input signal, when the PLL is locked and the input reference frequency is stable.

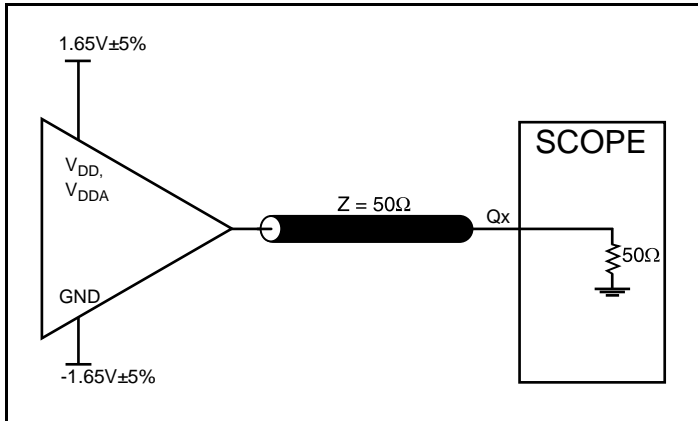
NOTE 2: These parameters are guaranteed by characterization. Not tested in production.

NOTE 3: This parameter is defined in accordance with JEDEC Standard 65.

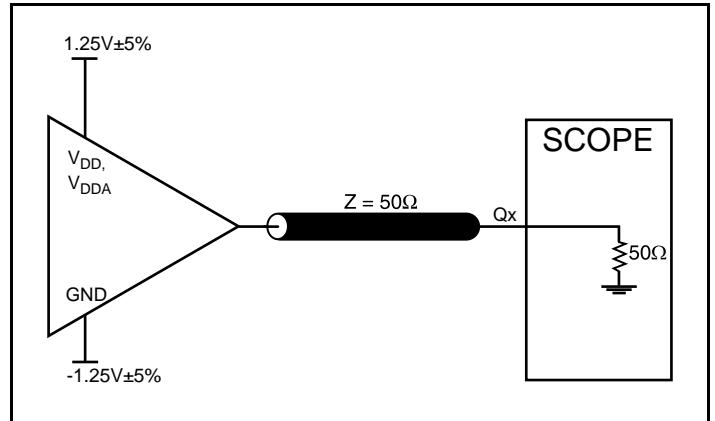
NOTE 4: Defined as skew between outputs at the same supply voltage and with equal load conditions. Measured at  $V_{DD}/2$ .



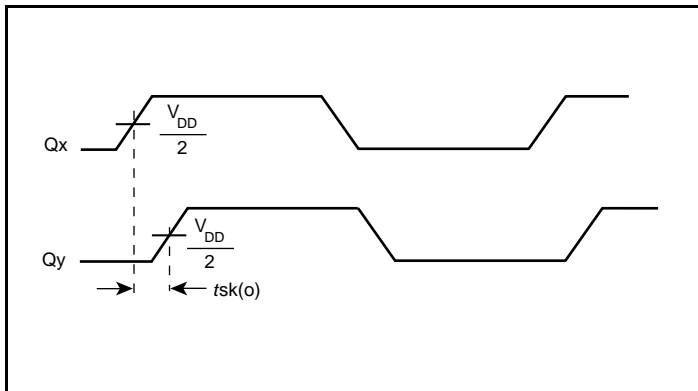
## Parameter Measurement Information



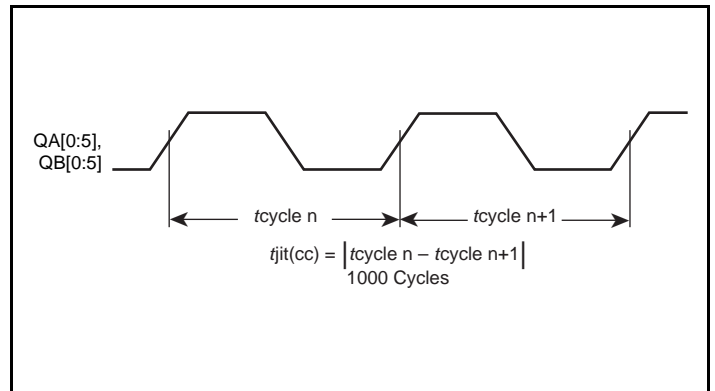
3.3V Output Load AC Test Circuit



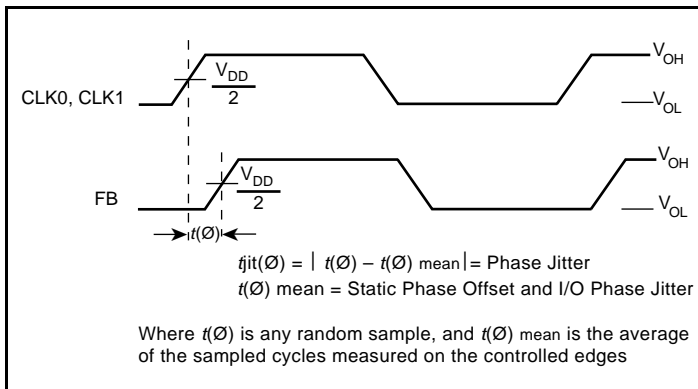
2.5V Output Load AC Test Circuit



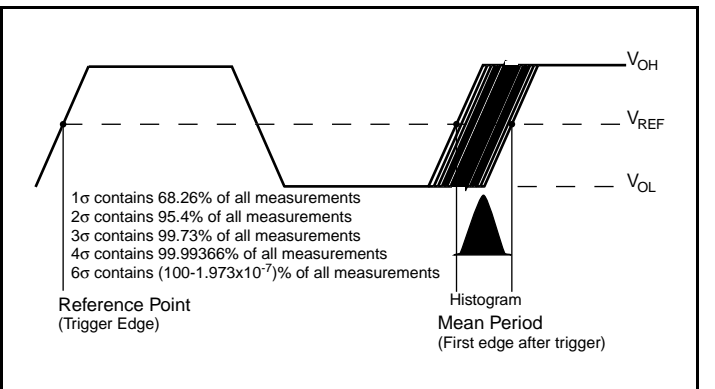
Output Skew



Cycle-to-Cycle Jitter

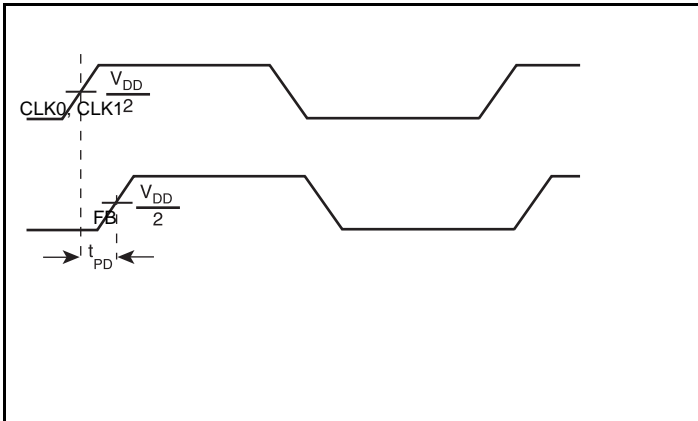


Input/Output Phase Jitter

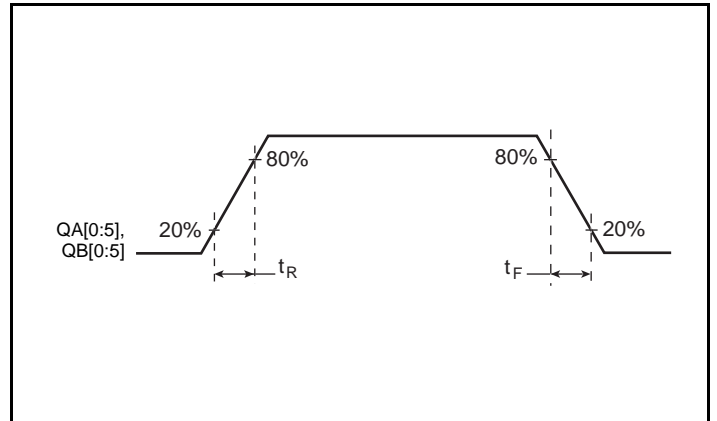


Period Jitter

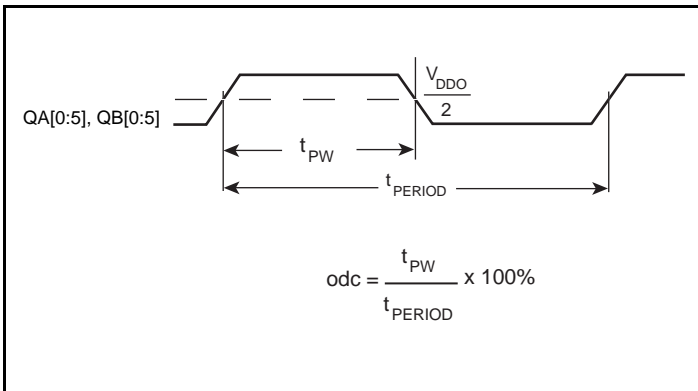
Parameter Measurement Information, continued



Propagation Delay



Output Rise/Fall Time



Output Duty Cycle/Pulse Width/Period

## Application Information

### CLOCK REDUNDANCY AND REFERENCE SELECTION

The 879893 accepts two LVCMOS/LVTTL single ended input clocks, CLK0 and CLK1, for the purpose of redundancy. Only one of these clocks can be selected at any given time for use as the reference. The clock that is used by default as the reference is referred to as the primary clock, while the remaining clock is the redundant or secondary clock. Input signal REF\_SEL determines which input is to be used as the primary and which is to be used as the secondary. When REF\_SEL is driven HIGH, the primary clock input is CLK1, otherwise an internal pull down pulls this input LOW so that the primary clock input is CLK0. The output signal CLK\_IND indicates which clock input is being used as the reference (LOW = CLK0, HIGH = CLK1), and will initially be at the same level as REF\_SEL.

### FAILURE DETECTION AND ALARM SIGNALING

Within the 879893 device, CLK0 and CLK are continuously monitored for failures. A failure on either of these clocks is detected when one of the clock signals is stuck HIGH or LOW for at least 1 period. Upon detection of a failure, the corresponding alarm signal, nALARM0 or nALARM1, is latched LOW. A HIGH-to-LOW transition on input signal nALARM\_RST causes the alarm outputs to be reset HIGH, and the primary clock input is selected as the reference clock. Otherwise, an internal pull-up holds nALARM\_RST HIGH, and the IDCS flags remain unchanged. If n\_ALARM\_RST is asserted when both of the alarm flag outputs are LOW, CLK0 is selected as the reference input. The device's internal PLL is able to maintain phase/frequency alignment, and lock with the input as long as the input used as the reference clock does not fail.

### MANUAL CLOCK SWITCHING

When input signal nMAN/A is driven LOW, the primary clock, as selected by REF\_SEL, is always used as the reference, even when a clock failure is detected at the reference. In order switch between CLK0 and CLK1 as the primary clock, the level on REF\_SEL must be driven to the appropriate level. When the level on REF\_SEL is changed, the selection of the new primary clock will take place, and CLK\_IND will be updated to indicate which clock is now supplying reference. This process serves as a manual safety mechanism to protect the stability of the PLL when a failure occurs on the reference.

### DYNAMIC CLOCK SWITCHING

When input signal nMAN/A is not driven LOW, an internal pull-up pulls it HIGH so that Intelligent Dynamic Clock Switching (IDCS) is enabled. If IDCS is enabled, once a failure occurs on the primary clock, the 879893 device will automatically deselect the primary clock as the reference and multiplex in the secondary clock, but only if it is valid and has no failures. When a successful switch from primary to secondary has been accomplished, CLK\_IND will be updated to indicate the new reference. This process serves as an automatic safety mechanism to protect the stability of the PLL when a failure occurs on the reference.

### OUTPUT TRANSITIONING

After a successful manual or IDCS initiated clock switch, the 879893's internal PLL will begin slewing to phase/frequency alignment, and will eventually achieve lock with the new input with minimal phase disturbance at the outputs.

### MASTER RESET OPERATION

Applying logic HIGH to the nOE/MR input resets the internal dividers of the 879893 and disables the outputs QA0:QA5 and QB0:QB5 in high-impedance state. Logic LOW state at the nOE/MR input enables the outputs and internal dividers.

### RECOMMENDED POWER-UP SEQUENCE

1. Hold nOE/MR HIGH, drive nMAN/A LOW, and drive REF\_SEL to the desired value during power up in order to reset internal dividers, disable the outputs in high-impedance state (nOE/MR = HIGH), select manual switching mode, and select the primary input clock.
2. Once powered up, assuming a stable clock free of failures is present at the primary input, the PLL will begin phase/frequency slewing as it attempts to achieve lock with the input reference clock.
3. Transition nALARM\_RST HIGH-to-LOW to reset nALARM0 and nALARM1 alarm flag outputs.
4. (Optional) Drive nMAN/A HIGH to enable IDCS mode.

### ALTERNATE POWER-UP SEQUENCE

If both input clocks are valid before power up, the device may be powered up in IDCS mode.

1. During power up, select the desired primary clock input by REF\_SEL and hold nOE/MR at logic HIGH level to reset the internal dividers and to disable the outputs QA0:QA5 and QB0:QB5 in high-impedance state. Logic high level at the nMAN/A input enables the IDCS mode. An internal bias resistor will pull the nMAN/A input to logic high level if nMAN/A is left open.
2. Once powered up, the PLL will begin phase/frequency slewing as it attempts to achieve lock with the input reference clock.
3. Transition nALARM\_RST HIGH-to-LOW to reset nALARM0 and nALARM1 alarm flag outputs.

## Recommendations for Unused Input and Output Pins

### Inputs:

#### CLK Inputs

For applications not requiring the use of a clock input, it can be left floating. Though not required, but for additional protection, a  $1\text{k}\Omega$  resistor can be tied from the CLK input to ground.

#### LVC MOS Control Pins

All control pins have internal pull-ups or pull-downs; additional resistance is not required but can be added for additional protection. A  $1\text{k}\Omega$  resistor can be used.

### Outputs:

#### LVC MOS Outputs

All unused LVC MOS output can be left floating. There should be no trace attached.

## Power Supply Filtering Technique

As in any high speed analog circuitry, the power supply pins are vulnerable to random noise. To achieve optimum jitter performance, power supply isolation is required. The 879893 provides separate power supplies to isolate any high switching noise from the outputs to the internal PLL.  $V_{DD}$  and  $V_{DDA}$  should be individually connected to the power supply plane through vias, and  $0.01\mu\text{F}$  bypass capacitors should be used for each pin. *Figure 1* illustrates this for a generic  $V_{DD}$  pin and also shows that  $V_{DDA}$  requires that an additional  $10\Omega$  resistor along with a  $10\mu\text{F}$  bypass capacitor be connected to the  $V_{DDA}$  pin.

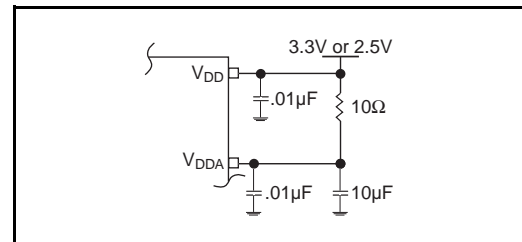


Figure 1. Power Supply Filtering

## Schematic Example

Figure 2 shows a schematic example of the 879893. In this example, the CLK1 input is selected as primary. Both CLK0 and CLK1 inputs are driven by LVC MOS drivers. For the LVC MOS outputs, series termination is shown in this example. Additional LVC MOS termination approaches are shown in the LVC MOS Termination Application Note. In this example, feedback trace is assumed to be a long trace. The series termination near the QFB

pin is required. If the feedback trace is short, series termination is not required. If this device is also used as a zero delay buffer, the application note ZDB Delay Affected by Feedback Trace provides additional information. For the power pins, it is recommended to have at least one decoupling capacitor per power pin. The decoupling capacitors should be physically located near the power pins.

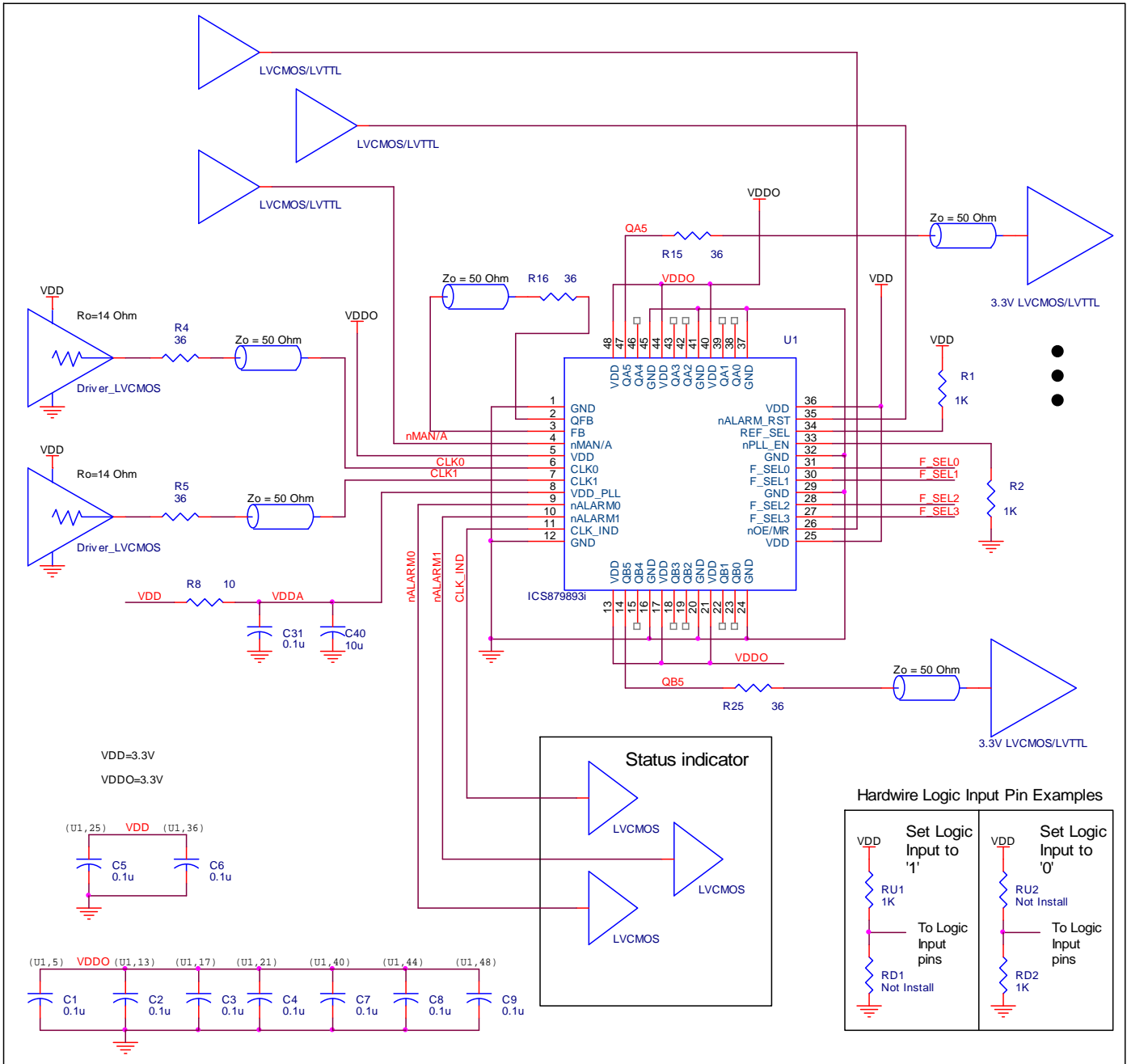


Figure 2. 879893 Schematic Example

## Reliability Information

**Table 6.  $\theta_{JA}$  vs. Air Flow Table for a 48 Lead LQFP**

$\theta_{JA}$ vs. Air Flow			
Linear Feet per Minute	0	200	500
Single-Layer PCB, JEDEC Standard Test Boards	67.8°C/W	55.9°C/W	50.1°C/W
Multi-Layer PCB, JEDEC Standard Test Boards	47.9°C/W	42.1°C/W	39.4°C/W

NOTE: Most modern PCB design use multi-layered boards. The data in the second row pertains to most designs.

## Transistor Count

The transistor count for 879893 is: 4615

## Package Outline and Package Dimensions

### Package Outline - Y Suffix for 48 Lead LQFP

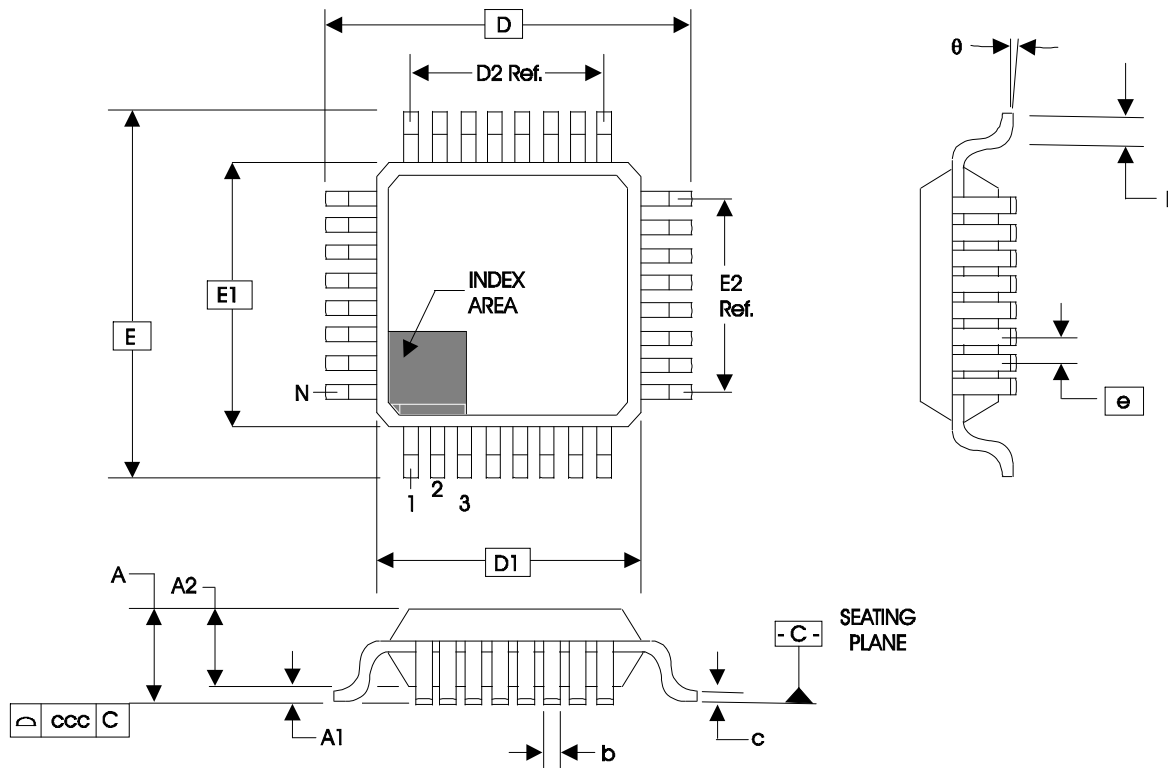


Table 7. Package Dimensions for 48 Lead LQFP

JEDEC Variation: ABC - HD			
All Dimensions in Millimeters			
Symbol	Minimum	Nominal	Maximum
N	48		
A			1.60
A1	0.05	0.10	0.15
A2	1.35	1.4	1.45
b	0.17	0.22	0.27
c	0.09	0.15	0.20
D & E	9.00 Basic		
D1 & E1	7.00 Basic		
D2 & E2	5.50 Ref.		
e	0.50 Basic		
L	0.45	0.60	0.75
θ	0°		7°
ccc			0.08

Reference Document: JEDEC Publication 95, MS-026

## Ordering Information

Table 8. Ordering Information

Part/Order Number	Marking	Package	Shipping Packaging	Temperature
879893AYILF	ICS879893AIL	"Lead-Free" 48 Lead LQFP	Tray	-40°C to 85°C
879893AYILFT	ICS879893AIL	"Lead-Free" 48 Lead LQFP	Tape & Reel	-40°C to 85°C

NOTE: Parts that are ordered with an "LF" suffix to the part number are the Pb-Free configuration and are RoHS compliant.

## Revision History Sheet

Rev	Table	Page	Description of Change	Date
A		12	Updated Schematic Example text and diagram.	2/10/05
A	T8	1	Features Section - added lead-free bullet.	7/8/08
		11	Added <i>Recommendations for Unused Input and Output Pins</i> and <i>Power Supply Filtering Techniques</i> Sections.	
		15	Ordering Information Table - added lead-free Part/Order Number, Marking and Note. Updated datasheet format.	
A	T8	16	Ordering Information - removed leaded devices. Updated data sheet format.	7/21/15
A		1	Product Discontinuation Notice - Last time buy expires November 2, 2016. PDN# CQ-15-05.	11/6/15
B			Datasheet is obsolete per PDN# CQ-15-05.	1/10/17



## IMPORTANT NOTICE AND DISCLAIMER

RENESAS ELECTRONICS CORPORATION AND ITS SUBSIDIARIES (“RENESAS”) PROVIDES TECHNICAL SPECIFICATIONS AND RELIABILITY DATA (INCLUDING DATASHEETS), DESIGN RESOURCES (INCLUDING REFERENCE DESIGNS), APPLICATION OR OTHER DESIGN ADVICE, WEB TOOLS, SAFETY INFORMATION, AND OTHER RESOURCES “AS IS” AND WITH ALL FAULTS, AND DISCLAIMS ALL WARRANTIES, EXPRESS OR IMPLIED, INCLUDING, WITHOUT LIMITATION, ANY IMPLIED WARRANTIES OF MERCHANTABILITY, FITNESS FOR A PARTICULAR PURPOSE, OR NON-INFRINGEMENT OF THIRD PARTY INTELLECTUAL PROPERTY RIGHTS.

These resources are intended for developers skilled in the art designing with Renesas products. You are solely responsible for (1) selecting the appropriate products for your application, (2) designing, validating, and testing your application, and (3) ensuring your application meets applicable standards, and any other safety, security, or other requirements. These resources are subject to change without notice. Renesas grants you permission to use these resources only for development of an application that uses Renesas products. Other reproduction or use of these resources is strictly prohibited. No license is granted to any other Renesas intellectual property or to any third party intellectual property. Renesas disclaims responsibility for, and you will fully indemnify Renesas and its representatives against, any claims, damages, costs, losses, or liabilities arising out of your use of these resources. Renesas' products are provided only subject to Renesas' Terms and Conditions of Sale or other applicable terms agreed to in writing. No use of any Renesas resources expands or otherwise alters any applicable warranties or warranty disclaimers for these products.

(Rev.1.0 Mar 2020)

### Corporate Headquarters

TOYOSU FORESIA, 3-2-24 Toyosu,  
Koto-ku, Tokyo 135-0061, Japan  
[www.renesas.com](http://www.renesas.com)

### Contact Information

For further information on a product, technology, the most up-to-date version of a document, or your nearest sales office, please visit:  
[www.renesas.com/contact/](http://www.renesas.com/contact/)

### Trademarks

Renesas and the Renesas logo are trademarks of Renesas Electronics Corporation. All trademarks and registered trademarks are the property of their respective owners.