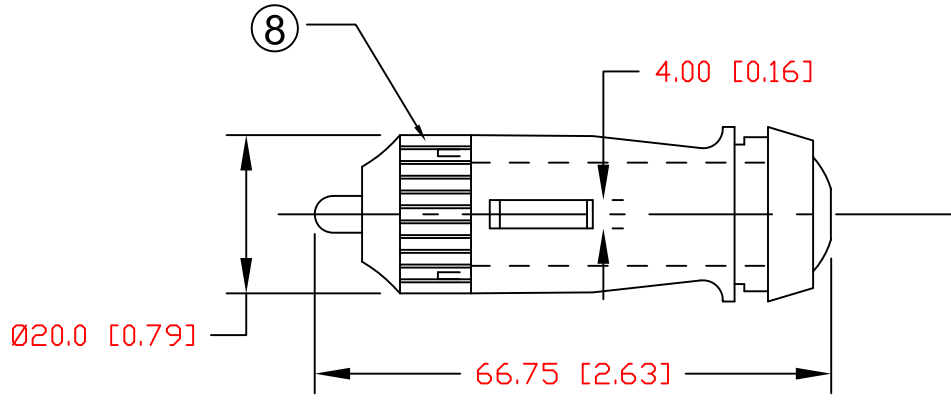
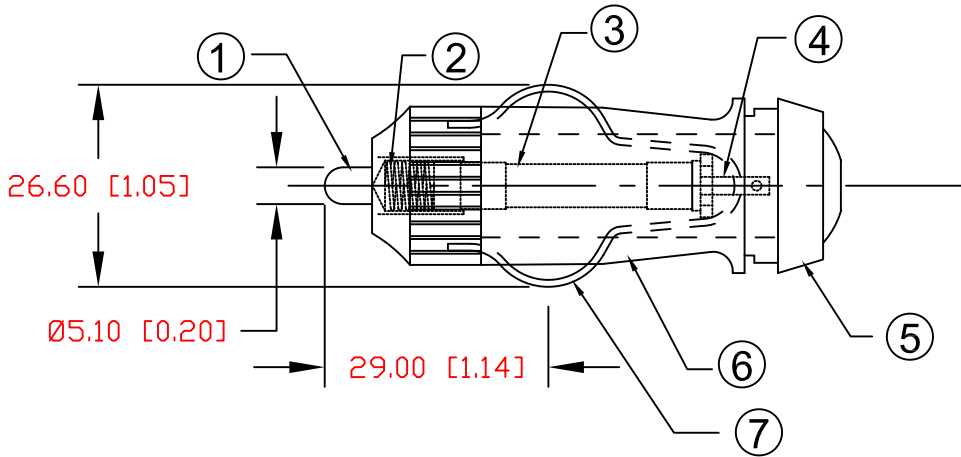


Date	SYM	REVISION RECORD	AUTH	DR.	CK.
03/15/03	A	CHANGED FUSE MATL. SPEC. ADDED OVERALL LENGTH	T.B.	B.S.	
09/05/14	B	UPDATED TO ROHS 2 COMPLIANT	T.B.	B.S.	



NOTE:

MAXIMUM RATING: 10AMP WITH CORRECT FUSE
ROHS 2 COMPLIANT

ITEM NO.	PART NAME	MATL. SPECIFICATION	QTY.	Tolerance (Inches)	MPD Memory Protection Devices, Inc 200 Broad Hollow Road, Farmingdale, New York 11735		
1	TIP CONTACT (+) TERMINAL	BRASS, NICKLE PLTD.	1	Decimal	Scale	Drawn By B.S.	Approved By T.B.
2	SPRING	SUS304 STAINLESS STEEL	1				
3	FUSE	250V, 3AMP, 3AG, 6.35mm X 30mm (1/4" X 1 1/4")	1	±.5 (.020)	Title	CIGARETTE PLUG DUAL CONTACT	
4	(+) TERMINAL	BRASS	1				
5	RING	NYLON #6	1				
6	BODY	NYLON #6+CARBONATE	1	± .8 (.030)	Date	Drawing Number	
7	(-) TERMINAL	SWRH1067 STAINLESS STEEL	2				
8	NOSE CAP	NYLON #6+CARBONATE	1	Angular ± 3°	9/05/14	ZA1093	