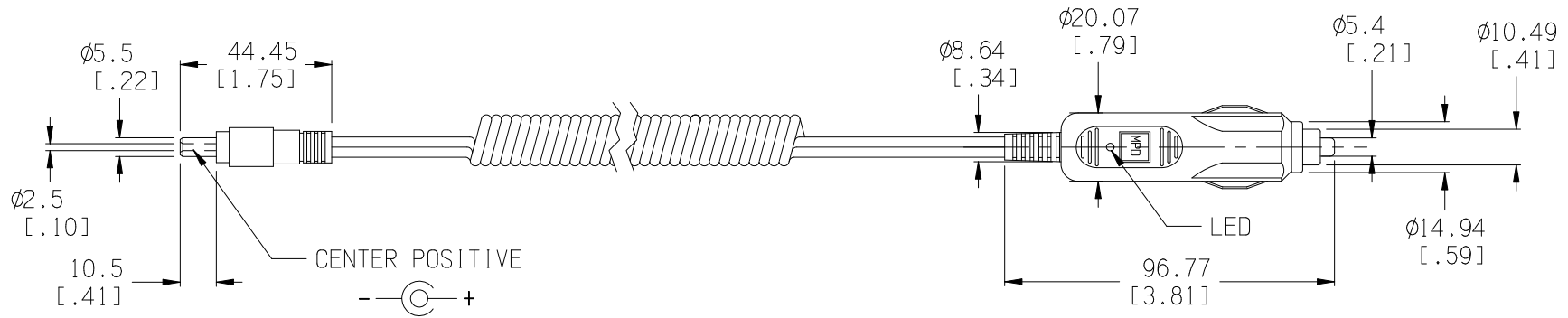



Date	SYM	REVISION RECORD	AUTH	DR.	CK.
8/04/07	A	Added wire gauge	T.B.	B.S.	
10/06/07	B	Added "ROHS COMPLIANT"	T.B.	B.S.	
08/28/14	C	UPDATED TO ROHS 2 COMPLIANT	T.B.	B.S.	



ROHS 2 COMPLIANT

BILL OF MATERIAL

BILL OF MATERIAL			Tolerance (Inches)	 Memory Protection Devices, Inc. 200 Broad Hollow Road, Farmingdale, New York 11735
PART #	QTY.	DESCRIPTION		
APP-001	1	CIGARETTE PLUG FOR 21 OR 22.2mm DIA. SOCKETS	Decimal	Scale Drawn By B.S. Approved By T.B.
PLUG	1	DC MOLDED PLUG, 2.5 x 5.5mm	$\pm .5$ (.020)	
FUSE	1	3AG (6.35 x 30mm), 5 AMP.	Fractional	Title 12' AUTO POWER COIL CORD SET WITH 2.5mm DC PLUG
CORD	1	20 AWG CORD, STRAND 12/30, NOMINAL OD 3.2x6.4	$\pm .8$ (.030)	
			Angular	Date 08/28/14
			$\pm 3^\circ$	Drawing Number ZA5074-2.5