

High Frequency Ceramic Solutions

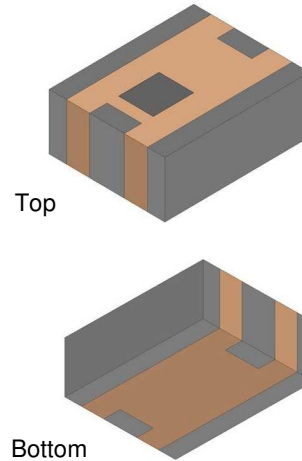
3.35 GHz Band Pass Filter

P/N 3350BP39A0500

Detail Specification: 5/12/2021

Page 1 of 4

General Specifications	
Part Number	3350BP39A0500
Operating Frequency	3100 - 3600 MHz
Insertion Loss (dB)	2.0 max.
Return Loss (dB)	9.5 min.
Attenuation (dB)	35 min. @ 500 - 2000 MHz 30 min. @ 2500 MHz 5 min. @ 2950 MHz 10 min. @ 4000 MHz 28 min. @ 5000 MHz 30 min. @ 6000 - 8000 MHz 20 min. @ 8000 - 10000 MHz
Impedance	50 Ω
Power Capacity	500 mW max.
Operating Temperature	-40 to +85°C
Solder Paste	SAC 305 type is recommended
Reel Quantity (pcs/reel)	3,000



Recommended Storage Conditions and Period for unused product on T&R	+5 to +35°C Humidity 45~75%RH 18 months max.*
---	---

*18 months max. in vacuum sealed bag and 1 week after opened. Please keep unused parts in vacuum sealed bags. For more info go to <https://www.johansontechnology.com/silverleads-profile>.

Part Number Explanation				
P/N Suffix	Packing Style	Bulk (loose pcs.)	Suffix = S	E.g. 3350BP39A0500S
		T & R	Suffix = E	E.g. 3350BP39A0500E
	Termination Style	Ag/Pt	Suffix = None	E.g. 3350BP39A0500(E or S)
	Evaluation Board	50Ω SMA	Suffix = EB-SMA	E.g. 3350BP39A0500-EB-SMA

Mechanical Dimensions		
	In	mm
L	0.098 ± 0.008	2.50 ± 0.20
W	0.079 ± 0.008	2.00 ± 0.20
T	0.037 ± 0.004	0.95 ± 0.10
a	0.012 ± 0.008	0.30 ± 0.20
b	0.024 ± 0.008	0.60 ± 0.20
c	0.012 ± 0.008	0.30 ± 0.20

Terminal Configuration	
No.	Function
1	GND
2	INPUT / OUTPUT
3	GND
4	INPUT / OUTPUT

Johanson Technology, Inc. reserves the right to make design changes without notice.

All sales are subject to Johanson Technology, Inc. terms and conditions.



<https://www.johansontechnology.com>
4001 Calle Tecate • Camarillo, CA 93012 • TEL 805.389.1166 FAX 805.389.1821
Ver. 2.0 2021 Johanson Technology, Inc. All Rights Reserved

High Frequency Ceramic Solutions

3.35 GHz Band Pass Filter

P/N 3350BP39A0500

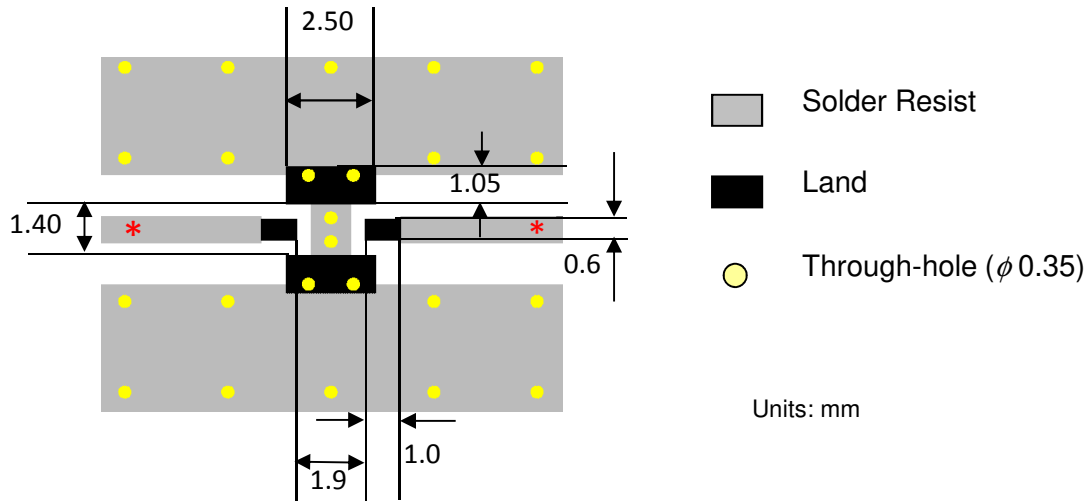
Detail Specification: 5/12/2021

Page 2 of 4

Mounting Pad Dimensions

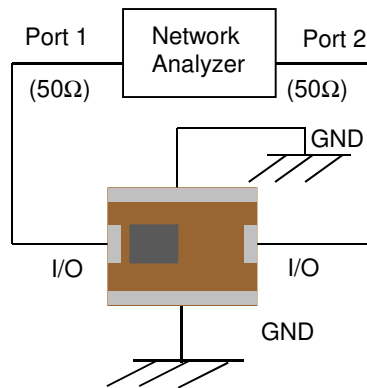
Mount these devices with brown mark facing up.

* Line width should be designed to provide 50 Ω impedance matching characteristics.



Would you like the CAD layout? Send us a message at: <https://www.johansontechnology.com/ask-a-question>

Measurement Schematic



Johanson Technology, Inc. reserves the right to make design changes without notice.

All sales are subject to Johanson Technology, Inc. terms and conditions.

High Frequency Ceramic Solutions

3.35 GHz Band Pass Filter

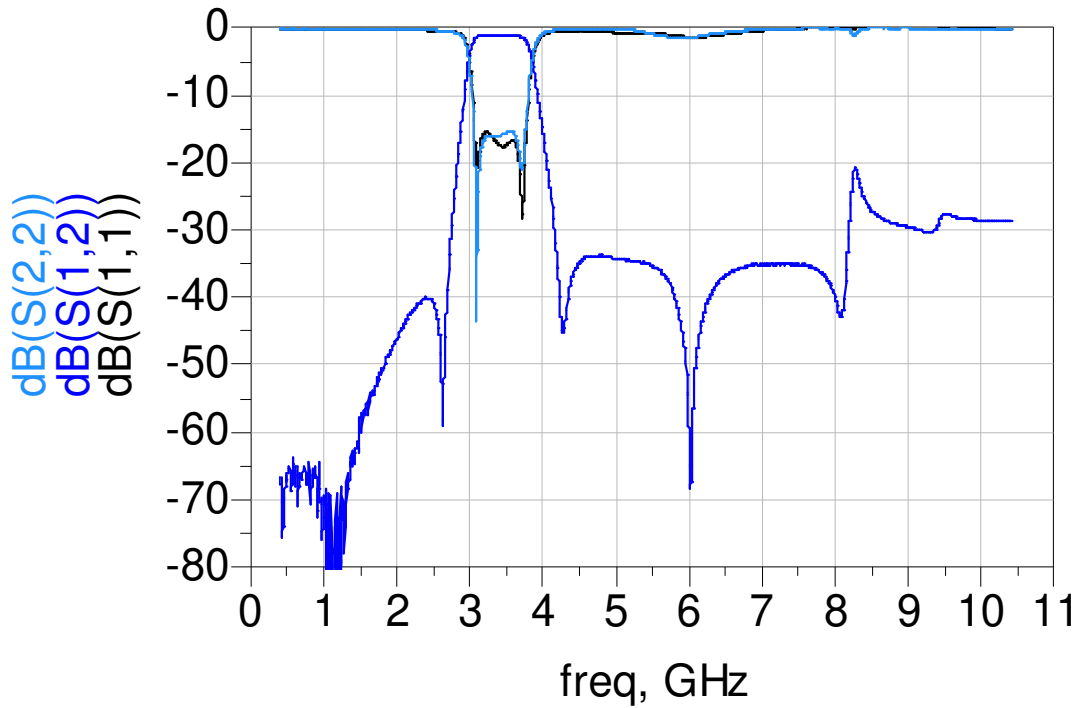
P/N 3350BP39A0500

Detail Specification: 5/12/2021

Page 3 of 4

Typical Electrical Characteristics (T=25°C)

Insertion Loss & Return loss



Johanson Technology, Inc. reserves the right to make design changes without notice.

All sales are subject to Johanson Technology, Inc. terms and conditions.



<https://www.johansontechnology.com>
4001 Calle Tecate • Camarillo, CA 93012 • TEL 805.389.1166 FAX 805.389.1821
Ver. 2.0 2021 Johanson Technology, Inc. All Rights Reserved

High Frequency Ceramic Solutions

3.35 GHz Band Pass Filter

P/N 3350BP39A0500

Detail Specification: 5/12/2021

Page 4 of 4

Application Notes, Layout Files, and more

<https://www.johansontechnology.com/band-pass-filters>

Packaging information

<https://www.johansontechnology.com/tape-reel-packaging>

Soldering Information

<https://www.johansontechnology.com/ipcsoldering-profile>

MSL Info

<https://www.johansontechnology.com/msl-rating>

Recommended Storage Condition and Max Shelf Life

<https://www.johansontechnology.com/recommended-storage-conditions>

RoHS Compliance

<https://www.johansontechnology.com/rohs-compliance>

Antenna layout and tuning techniques

<https://www.johansontechnology.com/tuning>

Antenna layout review, tuning, and characterization services

<https://www.johansontechnology.com/ipc-antenna-services>

Johanson Technology, Inc. reserves the right to make design changes without notice.

All sales are subject to Johanson Technology, Inc. terms and conditions.



<https://www.johansontechnology.com>
4001 Calle Tecate • Camarillo, CA 93012 • TEL 805.389.1166 FAX 805.389.1821
Ver. 2.0 2021 Johanson Technology, Inc. All Rights Reserved