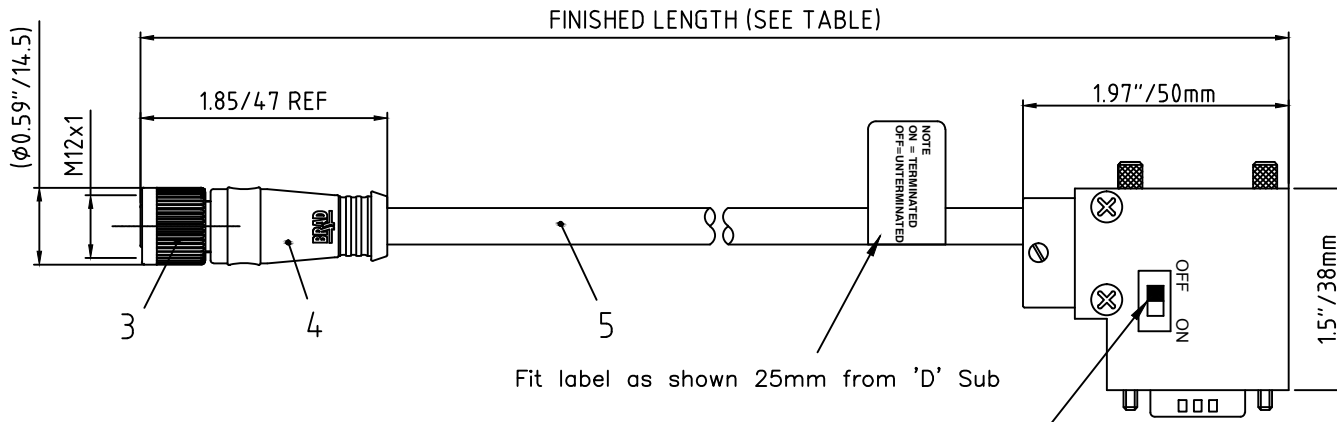
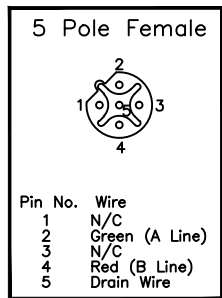
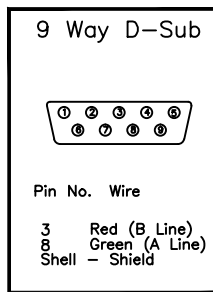


Face View (Typ.)



POL	MATERIAL NUMBER	ENGINEERING NUMBER	FINISHED LENGTH
5	1200980057	BM5S32PP4M010	3.28' +2.19" -0 [1.0M +55.6 -0]

Face View



CONNECTOR SPECIFICATION:

VOLTAGE RATING	30V AC/DC
AMPERAGE RATING	4 AMPS
PROTECTION CLASS	IP67
OPERATING TEMPERATURE	STATIC: -40°C TO +80°C FLEXING: -20°C TO +80°C
UL CERTIFICATIONS	NOT APPLICABLE
CSA CERTIFICATIONS	NOT APPLICABLE

ITEM	COMPONENT	MATERIAL	FINISH
1	INSERT	POLYURETHANE (PUR)	BLACK
2	CONTACT MATERIAL	COPPER ALLOY	GOLD OVER NICKEL
3	COUPLING NUT	BRASS	NICKEL PLATED
4	OVERMOLD	TPU	YELLOW
5	CABLE 2x0.2 ² /24 AWG	JACKET: PUR	JACKET: VIOLET

DESCRIPTION EC NO: IPG2012-0445 DRWN: BBRAUCH CHKD: REISSNER APPR: REISSNER	QUALITY SYMBOLS ▽ = 0 ▽ = 0	GENERAL TOLERANCES (UNLESS SPECIFIED)	DIMENSION STYLE	SCALE	DESIGN UNITS	THIRD ANGLE PROJECTION	
		mm INCH	IN/MM	2:1	METRIC		
		4 PLACES ± --- ± ---	DRAWN BY	DATE	CSE M12 5P BC FE STR DSUB PUR XM SHLD YL BRA M12 PROFIBUS CABLE		
		3 PLACES ± --- ± ---	BBRAUCH	2010/01/25			
2 PLACES ± --- ± 0.1	CHECKED BY	DATE	MOLEX INCORPORATED				
1 PLACE ± 0.3 ± ---	NS	2010/01/28					
ANGULAR ± --- °	APPROVED BY	DATE	MATERIAL NO.	DOCUMENT NO.	SHEET NO.		
DRAFT WHERE APPLICABLE MUST REMAIN WITHIN DIMENSIONS	REISSNER	2010/01/28	A3	SEE TABLE	SD-120098-033	1 OF 1	
THIS DRAWING CONTAINS INFORMATION THAT IS PROPRIETARY TO MOLEX INCORPORATED AND SHOULD NOT BE USED WITHOUT WRITTEN PERMISSION							