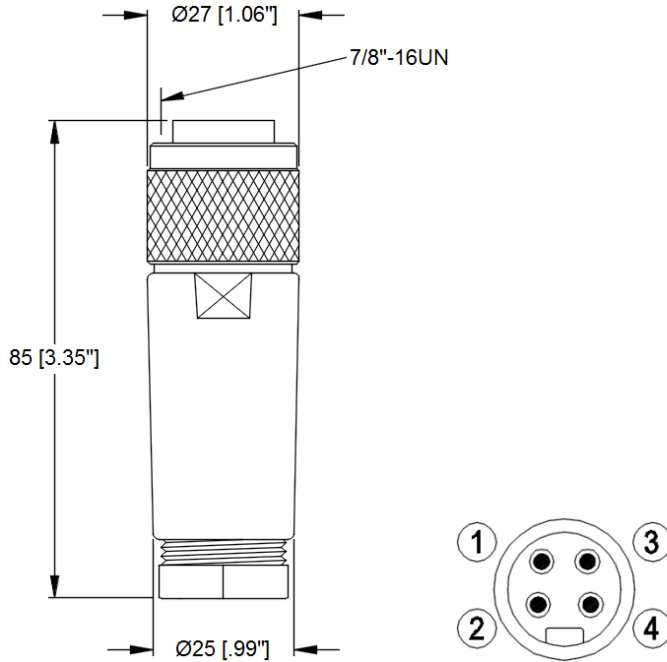


**Drawing**



**Technical Data**

Part Number	Cable Diameter Range
223PR11	0.315" – 0.394" (8.0 – 10.0 mm)
223PR13	0.394" – 0.472" (10.0 – 12.0 mm)
223PR16	0.472" – 0.551" (12.0 – 14.0 mm)
223PR9	0.236" – 0.315" (6.0 – 8.0 mm)
<b>Mechanical</b>	
Housing	Glass Filled Nylon
Insert	Nylon black
Contact	Copper Alloy, Gold Plated
Coupling Nut	Aluminum, anodized black
Connection	Screw Terminal (Internal Threads)
Max AWG	16 (1.5mm <sup>2</sup> )
<b>Electrical</b>	
Contact Resistance	≤ 5 mΩ
Nom. Current @ 40°C	9 A
Nominal Voltage	600 V
Insulation Resistance	> 10 <sup>9</sup> Ω
UL File	E485156 (223PR9)
<b>Environmental</b>	
Degree of Protection	IP 67/ NEMA 6P

Issue: 1 Issue Date: 4/18/2016 Effective Date: 5/18/2016

Operating Temperature Range	-40C (-40F)/ +90C (+194F)
CE	All materials used in the manufacture of this part meet the requirements of European Directive 2011/65/EU regarding the restriction of use of certain hazardous substances in electrical and electronic equipment. Exemption used; 6a.
REACH Regulation (EC 1907/2006)	This product does not contain Substances of Very High Concern (SVHC) listed on the European Union’s REACH candidate list in excess of 0.1% mass of the item.
<b>Ordering Information</b>	
223PR11 NC032	Each
223PR13 NC032	Each
223PR16 NC032	Each
223PR9 NC032	Each

Although Alpha Wire (“Alpha”) makes every reasonable effort to ensure their accuracy at the time of this publication, information and specifications described herein are subject to error or omission and to change without notice, and the listing of such information and specifications does not ensure product availability. Alpha provides the information and specification herein on an “AS IS” basis, with no representations or warranties, whether express, statutory or implied. In no event will Alpha be liable any damages (including consequential, indirect, incidental, special, punitive, or exemplary damages) whatsoever, even if Alpha has been advised of the possibility of such damages, whether in an action under contract, negligence or any other theory, arising out of or in connection with the use, or inability to use, the information or specification described herein.

Issue: 1 issue Date: 8/4/2016 Effective Date: 8/4/2016