

2

1

THIS COPY IS PROVIDED ON A RESTRICTED BASIS AND IS NOT TO BE USED IN ANY WAY DETRIMENTAL TO THE INTERESTS OF PANDUIT CORP.

A

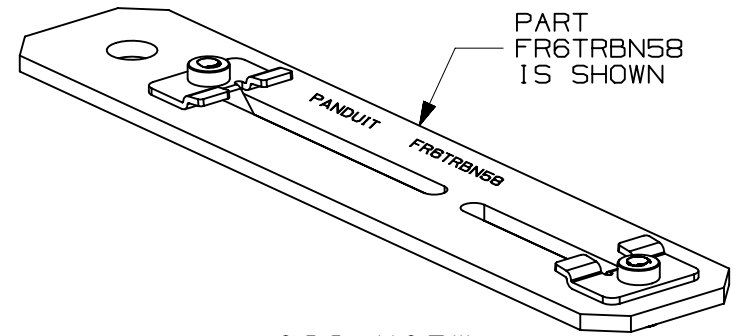
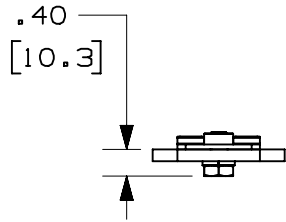
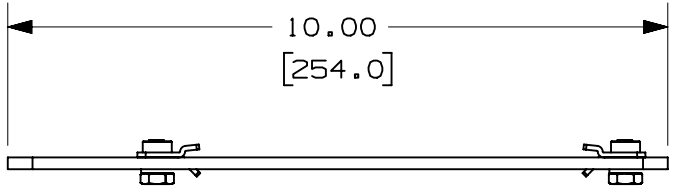
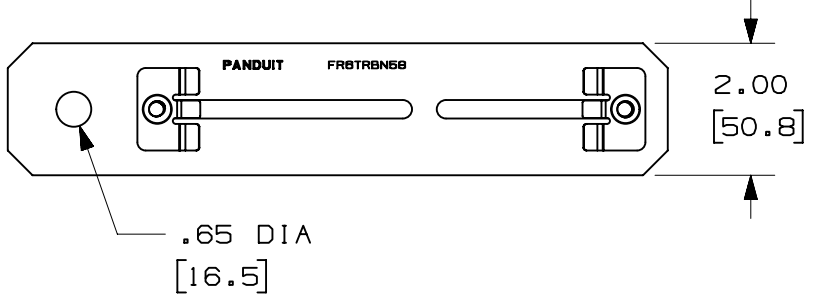
E

PANDUIT PART NUMBER	WEIGHT
FR6TRBN58 FR6TRBN58M	1.20 LB/EACH (543g/EACH)

F

NOTES:

- SEE CURRENT CATALOG FOR ADDITIONAL PART SUFFIXES TO INDICATE PACKAGE QUANTITY.
- THE FIBERRUNNER 4x4 AND 6x4 QUIKLOCK NEW THREADED ROD BRACKET IS USED TO SUPPORT THE FIBERRUNNER 4x4 AND/OR 6x4 CABLE ROUTING SYSTEMS FROM A SECTION OF NEW 5/8" (M16) THREADED ROD (NOT INCLUDED).
- THE FIBERRUNNER 4x4 AND 6x4 QUIKLOCK NEW THREADED ROD BRACKET INCLUDES:
ONE (1) BRACKET ASSEMBLY,
TWO (2) 5/8 HELICAL SPRING LOCKWASHERS,
TWO (2) 5/8-11 HEAVY HEX NUTS (FR6TRBN58 ONLY),
TWO (2) M16x2 HEX NUTS (FR6TRBN58M ONLY)
- FINISH COLOR: BLACK (EXCEPT HARDWARE)
- DIMENSIONS IN PARENTHESES ARE IN MILLIMETERS (mm).



ISO VIEW
SCALE 1:2

J

A

TITLE FIBERRUNNER 4x4 AND 6x4 QUIKLOCK NEW THREADED ROD BRACKET - 5/8" (M16) THREADED ROD (FR6TRBN58 & FR6TRBN58M)		CUSTOMER DRAWING						
ITEM REVISION NAME D37585CZ/01		PANDUIT						
DATASET FILE NAME D37585CZ_DC/01B								
UNLESS OTHERWISE SPECIFIED, DIMENSIONAL TOLERANCES ARE: INCHES +/- 0.06 METRIC - MILLIMETER +/- 1.6 X.X +/- 0.02 X.X +/- 0.50 ANGLE +/- 1° X.XX +/- 0.01 X.XX +/- 0.25		MATERIAL: STEEL						
DRAWING NUMBER: 37585-71		DRAWING NUMBER: 37585-71						
THIRD ANGLE PROJECTION								
DRAWN BY JHNU	DATE 11/4/00	CHK HIW	SCALE 11:32					
REV	DATE	BY	CHK	APR	DESCRIPTION	ECN	SHT 1 OF 1	SIZE A

G

H

C

D10100DA/16

2

1