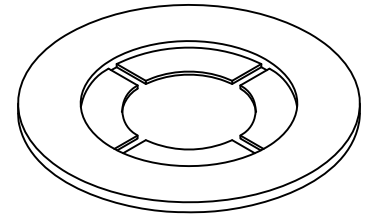
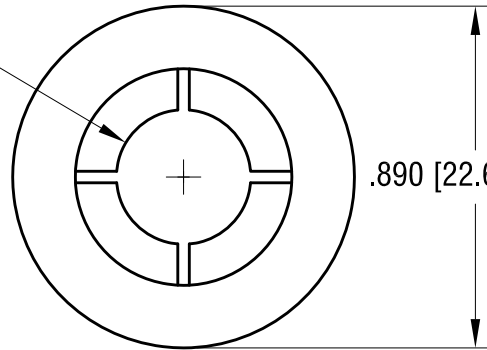


THIS DOCUMENT IS THE PROPERTY OF
KEYSTONE ELECTRONICS CORP. AND
SHALL NOT BE REPRODUCED, DISTRIBUTED
OR USED AS A BASIS FOR MANUFACTURE
WITHOUT PRIOR WRITTEN PERMISSION
FROM KEYSTONE ELECTRONICS CORP.

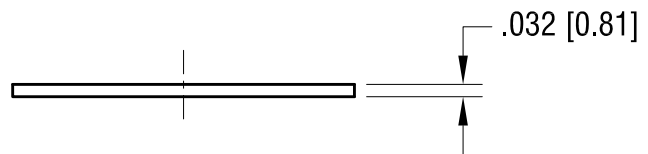


Ø.350 [Ø8.89]
DIA.



±.015 [±0.38]
.890 [22.60] DIA.

.564 [14.33] DIA.
CLEAR HOLE



KEYSTONE ELECTRONICS CORP.

www.keyelco.com • ASTORIA, N.Y. 11105-2017 • Tel (718) 956-8900

PART NAME

#3/8 RETAINING WASHER

MATERIAL

NYLON 6/6

FINISH

-

DRN BY

NT

DATE

3.18.11

APP'D

LN

SCALE

4X

TOLERANCES

INCH [MM]

DECIMAL ± .005 [± 0.13]

ANGULAR ± 1°
UNLESS OTHERWISE SPECIFIED

CODE

DWG NO.

C/M

2253

DATE

DESCRIPTION

REV.