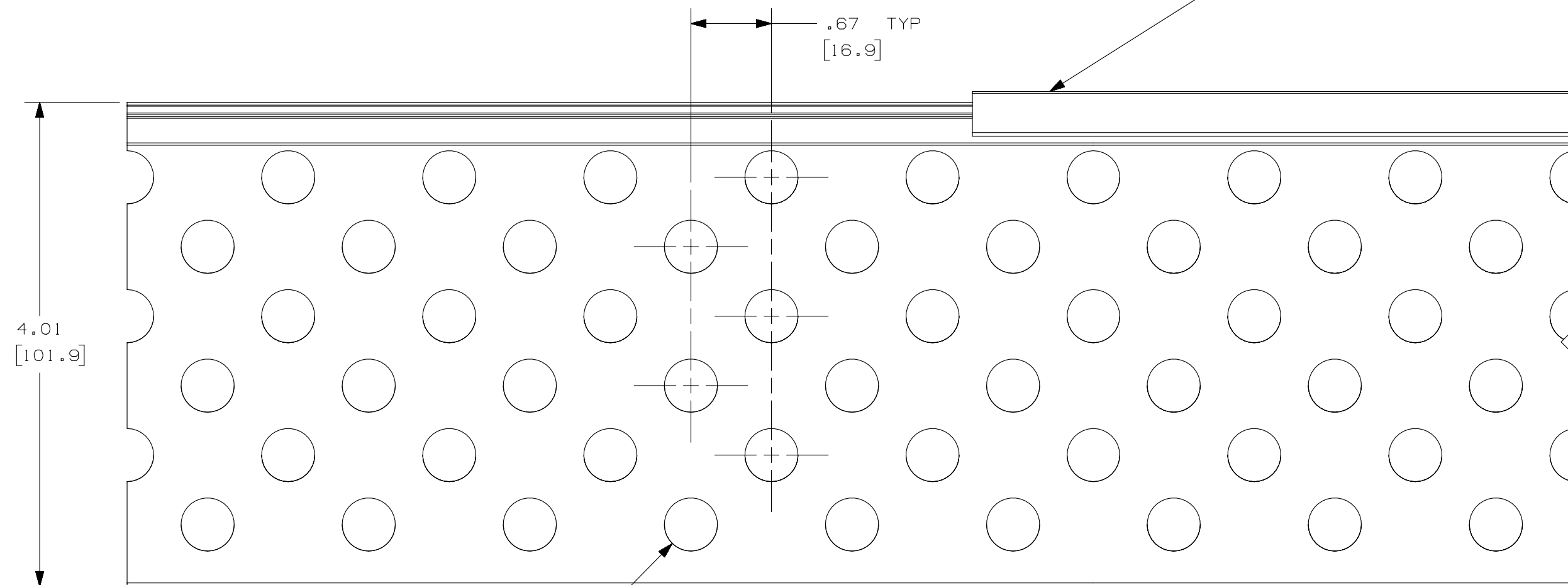
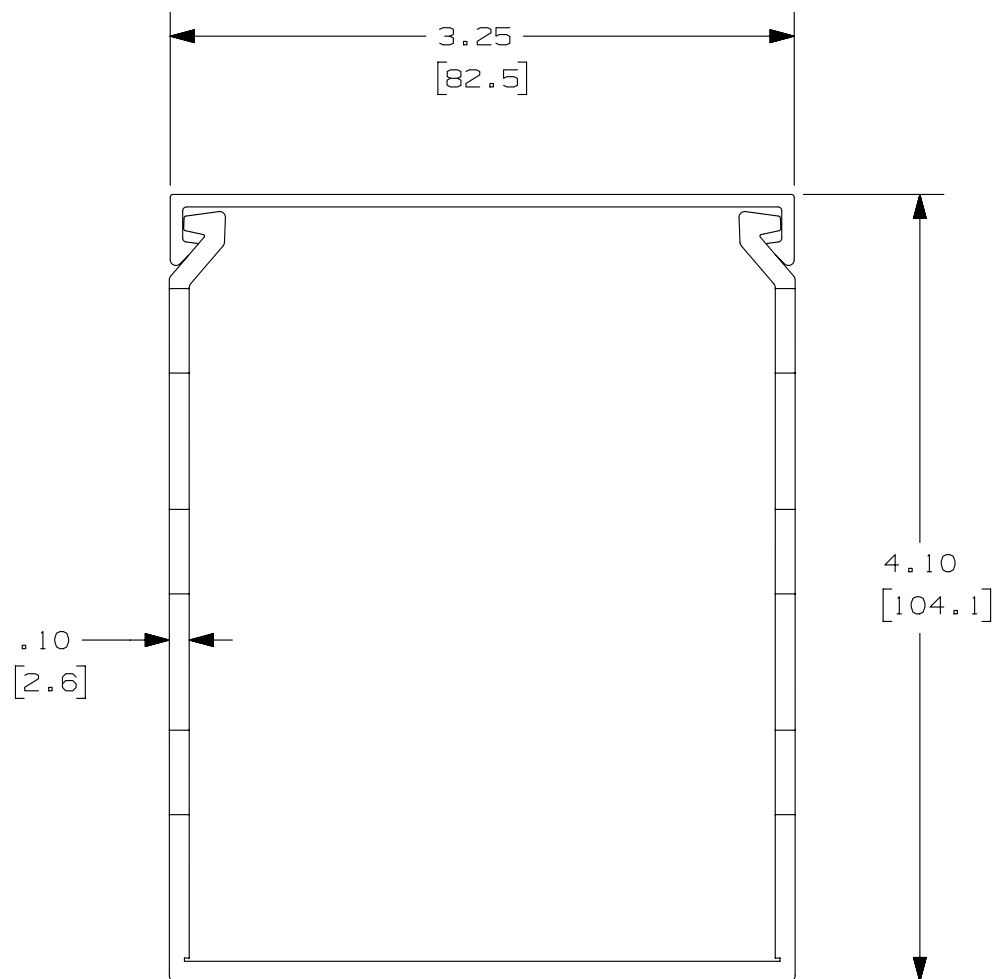


COVER -- PART_NUMBER C3**6



DUCT -- PART_NUMBER D3X4**6

- NOTES:
1. ALL DIMENSIONS ARE REFERENCE ONLY.
 2. DIMENSIONS IN PARENTHESIS ARE METRIC.
 3. THE ** DENOTE COLOR.
 4. DUCT AND COVER ARE AVAILABLE IN 6 FT (1828.8) LENGTHS.

REV	DATE	BY	CHK	APR	DESCRIPTION	ECN
3	03-06-13	JBN	RTFI	RTFI	H. UPDATED DRAWING BORDER & TITLE BLOCK	36897-838

TITLE WIRING DUCT - TYPE D DUCT WITH COVER 3 X 4 MARKETING DRAWING			
ITEM REVISION NAME D11000BP/00		PANDUIT	
DATASET FILE NAME D11000BP_DC/00D		MATERIAL: PVC	
UNLESS OTHERWISE SPECIFIED, DIMENSIONAL TOLERANCES ARE: 1N (mm)			
.X ±	.XXX ±	THIRD ANGLE PROJECTION	
.XX ±	ANGLES ±	DRAWING NUMBER: 36897-838	
DRAWN BY JCST	DATE 04-28-03	CHK JGG	SCALE FULL
SHT 1 OF 1			SIZE C



D101000C/12