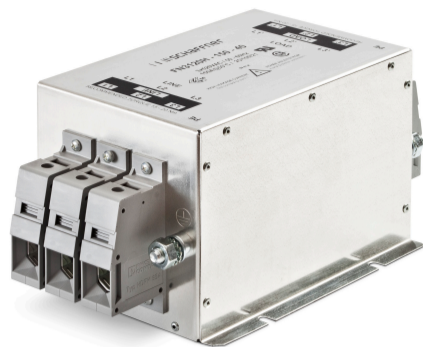


High-Performance EMC/RFI Filter for Drives



- High performance filter for extremely noisy applications
- Significantly improves the reliability and immunity of installations
- Enables compliance with Class B limits even with very long cables

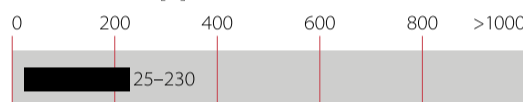


Performance indicators

Attenuation performance



Rated current [A]



Approvals & Compliances



Features and Benefits

- High-performance filter for mainly industrial motor drive applications with extremely high noise levels, providing sufficient interference suppression to achieve Class B even with very long motor cables (e.g. machine tools with up to 12 axes with ~10 to 20 m cables each)
- Broadband attenuation performance and exceptional saturating resistance ensure reliable interference suppression
- FN 3120 operated on the mains input of machines or equipment contributes significantly to the reliability and immunity by offering protection against conducted interference phenomena coming from the environment
- Solid, touch-safe terminal blocks offer sufficient contacting cross section according to the EN 60204-1 installation standard, which is very common for industrial equipment like machine tools
- Compact dimensions and light weight design with good accessibility for automatic and hand tools guarantee a simple time and space-saving installation

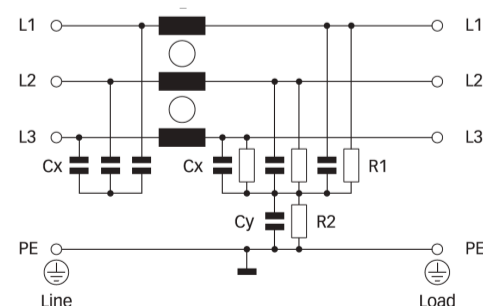
Technical Specifications

| | |
|--|--|
| Maximum continuous operating voltage | 3x 520/300 VAC (480 VAC +10% possible) |
| Operating frequency | DC to 60 Hz |
| Rated currents | 25 to 230 A |
| High potential test voltage | P → E 2750 VDC for 2 sec P → P 2250 VDC for 2 sec |
| Protection category | IP 20 |
| Overload capability | 4x rated current at switch on, 1.5x rated current for 1 minute, once per hour |
| Temperature range (operation and storage) | -25°C to +100°C (25/100/21) |
| Flammability corresponding to | UL 94 V-2 or better |
| Design corresponding to | UL 1283, CSA 22.2 No. 8 1986, IEC/EN 60939 |
| MTBF @ 50°C/400 V (Mil-HB-217F) | >300,000 hours |


Typical Applications

Mainly industrial equipment, machinery and machine tools such as printing machines, packaging machines, extruders, wood working machines, milling and drilling machines, laser cutting machines, welding machines, robotics, conveyors, assembly lines, pumps, oil production, chemical and mining industry, etc. The filters are ideal for most motor drive applications and particularly for regenerative drives with suitable line reactor or LCL filter.

Typical electrical schematic



Filter Selection Table

| Filter | Rated current @ 50°C (40°C) | Typical drive power rating* | Leakage current** @ 520 VAC/50 Hz | Power loss @ 25°C/50 Hz | Input/Output connections | Weight |
|-------------------------|--------------------------------|--------------------------------|--------------------------------------|----------------------------|---|--------|
| | [A] | [kW] | [mA] | [W] |  | [kg] |
| FN 3120 H-25-33 | 25 (27) | 15 | 10.5 | 17.1 | -33 | 2.4 |
| FN 3120 H-50-53 | 50 (54) | 30 | 10.5 | 17.5 | -53 | 2.7 |
| FN 3120 H-80-35 | 80 (87) | 45 | 10.5 | 25.9 | -35 | 5.0 |
| FN 3120 H-110-35 | 110 (120) | 55 | 10.5 | 25.4 | -35 | 6.1 |
| FN 3120 H-150-40 | 150 (164) | 75 | 10.5 | 40.5 | -40 | 6.3 |
| FN 3120 H-230-40 | 230 (230) | 132 | 10.5 | 33.5 | -40 | 13.3 |

* Calculated at rated current, 480 VAC and cos phi=0.8. The exact value depends upon the efficiency of the drive, the motor and the entire application.

** Standardized calculated leakage current acc. IEC60939 under normal operating conditions.

Typical Filter Attenuation

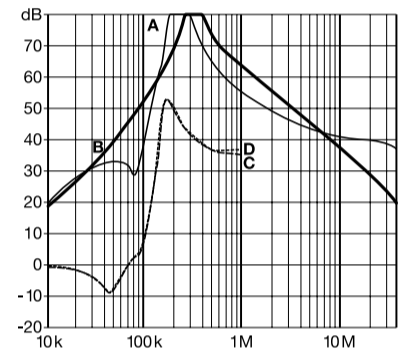
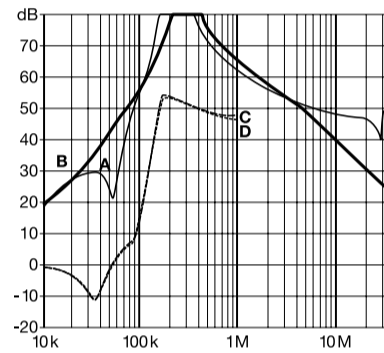
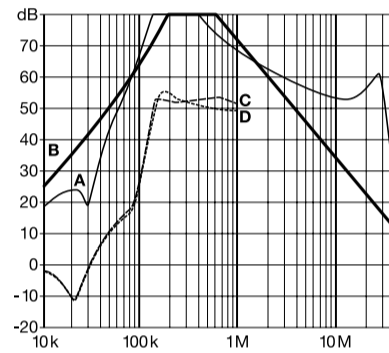
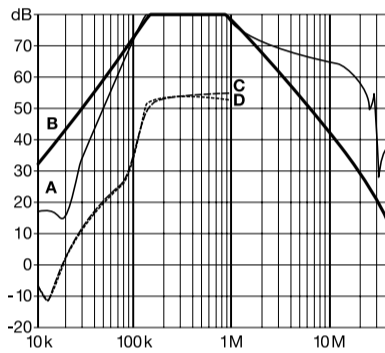
Per CISPR 17; A=50 Ω/50 Ω sym; B=50 Ω/50 Ω asym; C=0.1 Ω/100 Ω sym; D=100 Ω/0.1 Ω sym

25 A types

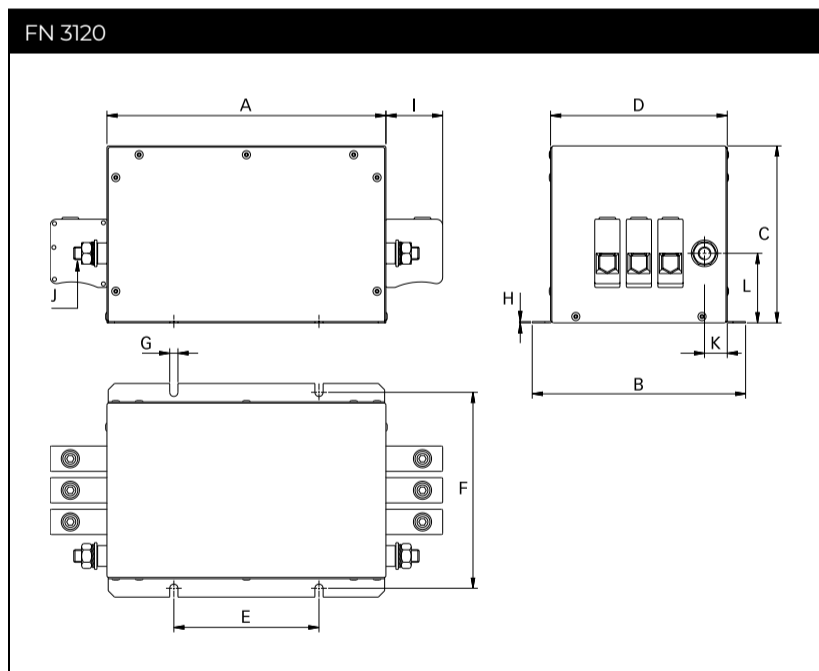
50 to 110 A types

150 A types

230 A types



Mechanical Data







Dimensions

| | 25 A | 50 A | 80 A | 110 A | 150 A | 230 A |
|----------|------|-------|------|-------|-------|------------------|
| A | 214 | 214 | 221 | 221 | 221 | 300 |
| B | 159 | 159 | 169 | 169 | 169 | 168 |
| C | 64 | 64 | 140 | 140 | 140 | 140 |
| D | 129 | 129 | 140 | 140 | 140 | 140 |
| E | 115 | 115 | 115 | 115 | 115 | 165 (82.5/82.5)* |
| F | 145 | 145 | 155 | 155 | 155 | 155 |
| G | 6.5 | 6.5 | 6.5 | 6.5 | 6.5 | 6.5 |
| H | 1 | 1 | 1 | 1 | 1 | 1 |
| I | 25 | 29.45 | 45 | 45 | 51 | 51 |
| J | M5 | M6 | M10 | M10 | M10 | M10 |
| K | 21.5 | 24.5 | 18 | 18 | 13 | 13 |
| L | 26 | 35 | 55 | 55 | 62 | 62 |

* 230 A filters provide 2 additional mounting slots, to do justice to the additional product weight. They are located right in the center of those mounting slots shown in the drawing above (82.5/82.5 → 165 mm).

All dimensions in mm; 1 inch = 25.4 mm
Tolerances according: ISO 2768-m/EN 22768-m

Filter Input/Output Connector Cross Sections

| | -33 | -35 | -40 | -53 |
|---------------------------|---|---|---|---|
| |  |  |  |  |
| Solid wire | 16 mm ² | 50 mm ² | 95 mm ² | 25 mm ² |
| Flex wire | 10 mm ² | 50 mm ² | 95 mm ² | 16 mm ² |
| AWG type wire | AWG 6 | AWG 1/0 | AWG 4/0 | AWG 4 |
| Recommended torque | 1.5-1.8 Nm | 7-8 Nm | 17-20 Nm | 2.0-2.3 Nm |

Please visit www.schaffner.com to find more details on filter connectors.

Headquarters, Global Innovation and Development

Switzerland

Schaffner Holding AG

Industrie Nord
Nordstrasse 11e
4542
Luterbach
+41 32 681 66 26
info@schaffner.com

Sales and Application Centers

China

Schaffner EMC Ltd. Shanghai

T20-3 C, No 565 Chuangye Road, Pudong district
201201
Shanghai
+86 2138139500
cschina@schaffner.com

Finland

Schaffner Oy

Sauvonrinne 19 H
8500
Lohja
+358 50 468 7284
finlandsales@schaffner.com

France

Schaffner EMC S.A.S.

16-20 Rue Louis Rameau
95875
Bezons
+33 1 34 34 30 60
francesales@schaffner.com

Germany

Schaffner Deutschland GmbH

Schoemperlenstrasse 12B
76185
Karlsruhe
+49 721 56910
germanysales@schaffner.com

India

Schaffner India Pvt. Ltd

Regus World Trade Centre
WTC, 22nd Floor Unit No 2238, Brigade Gateway Campus, 26/1, Dr. Rajkumar Road Malleshwaram (W)
560055
Bangalore
+91 8067935355
indiasales@schaffner.com

Italy

Schaffner EMC S.r.l.

Via Ticino, 30
20900
Monza (MB)
+39 039 21 41 070
italysales@schaffner.com

Japan

Schaffner EMC K.K.

ISM Sangenjaya 7F
1-32-12 Kamiuma, Setagaya-ku
154-0011
Tokyo
+81 3 5712 3650
japansales@schaffner.com

Singapore

Schaffner EMC Pte Ltd.

Blk 3015A Ubi Road 1, #05-09, Kampong Ubi Industrial Estate
408705
Singapore
+65 63773283
singaporesales@schaffner.com

Spain

Schaffner EMC España

Calle Caléndula 93, Miniparc III, Edificio E El Soto de Moraleja, Alcobendas
28109
Madrid
+34 917 912 900
spainsales@schaffner.com

Sweden

Schaffner EMC AB

Östermalmstrorg 1
114 42
Stockholm
+46 8 5050 2425
swedensales@schaffner.com

Switzerland

Schaffner EMV AG

Industrie Nord
Nordstrasse 11e
4542
Luterbach
+41 32 681 66 26
switzerlandsales@schaffner.com

Taiwan

Schaffner EMV Ltd.

U-Town
20 Floor-2, No 97, Section 1, XinTai 5th Road, XiZhi District
22175
New Taipei City
+886 226975500
taiwansales@schaffner.com

Thailand

Schaffner EMC Co. Ltd.

Sathorn Square Tower
Room 3780, 37FL, 98 North-Sathorn Rd, Silom, Bangrak
10500
Bangkok
+66 621056397
thailandsales@schaffner.com

United Kingdom

Schaffner Ltd.

1, Oakmede Place
Terrace Road
RG42 4JF
Binfield
+44 118 9770070
uksales@schaffner.com

United States

Schaffner EMC Inc.

52 Mayfield Avenue
Edison, New Jersey
+1 732 225 9533
usasales@schaffner.com

To find your local partner within Schaffner's global network schaffner.com

© 2022 Schaffner Group

The content of this document has been carefully checked and understood. However, neither Schaffner nor its subsidiaries assume any liability whatsoever for any errors or inaccuracies of this document and the consequences thereof. Published specifications are subject to change without notice. Product suitability for any area of application must ultimately be determined by the customer. In all cases, products must never be operated outside their published specifications. Schaffner does not guarantee the availability of all published products. This disclaimer shall be governed by substantive Swiss law and resulting disputes shall be settled by the courts at the place of business of Schaffner Holding AG. Latest publications and a complete disclaimer can be downloaded from the Schaffner website. All trademarks recognized.