

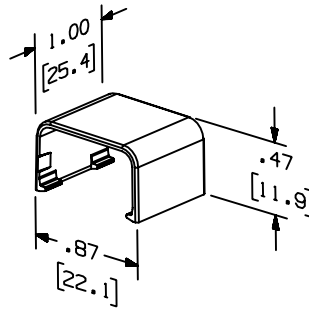
THIS COPY IS PROVIDED ON A RESTRICTED BASIS AND IS NOT TO BE USED IN ANY WAY DETRIMENTAL TO THE INTERESTS OF PANDUIT CORP.

PANDUIT PART NO.	WEIGHT
CFX3	.4 LB/100 PCS (188 g/100 PCS)



NOTES:

- SEE CURRENT CATALOG FOR ADDITIONAL PART NUMBER SUFFIXES TO INDICATE COLOR AND OR PACKAGE QUANTITY.
- THIS PRODUCT IS INTENDED TO BE USED WITH PANDUIT TYPE LD3, LDP3 AND LDS3 RACEWAYS.
- NOMINAL WALL THICKNESSES: .055(.4).
- DIMENSIONS IN PARENTHESES ARE IN METRIC.



CAD FILENAME/LAYERS D35246BA\_LD\_CFX3\_02

PANDUIT CORP. TINLEY PARK, ILLINOIS  
 COUPLER FITTING COVER (CFX3)  
 CUSTOMER DRAWING

REV	DATE	BY	CHK	DESCRIPTION	ECN	CHK	CUST	SUP
2	03-05-04	JHEP	RGRO	D. REMOVED CD3 FROM NOTE 2	35246-01	RGRO	RGRO	
-	-	-	-	C. REV'D MATERIAL: WAS PVC.	-	-	-	-
1	09-23-96	JBA	CEP	B. REV'D NOTE #2: ADDED LDS3. A. REV'D P/N: WAS CFC3.	35246-01	CEP	CEP	
R	03-05-96	DW	CEF	RELEASED TO PRODUCTION	35246-01	CEF		

UNLESS OTHERWISE SPECIFIED, DIMENSIONAL TOLERANCES ARE: (.X) ± (.XXX) ±.015 (.4) (.XX) ±.03 (.8) ANGLES ±		UNLESS OTHERWISE SPECIFIED, ALL DIMENSIONS ARE GIVEN IN INCHES, THIRD ANGLE PROJECTION.	
DRAWN BY DW	MAT'L: ABS/PC	SCALE NONE	
DATE 03-05-96		DRAWING NO. 35246-01	DWG A SIZE
CHECKED BY CEF			