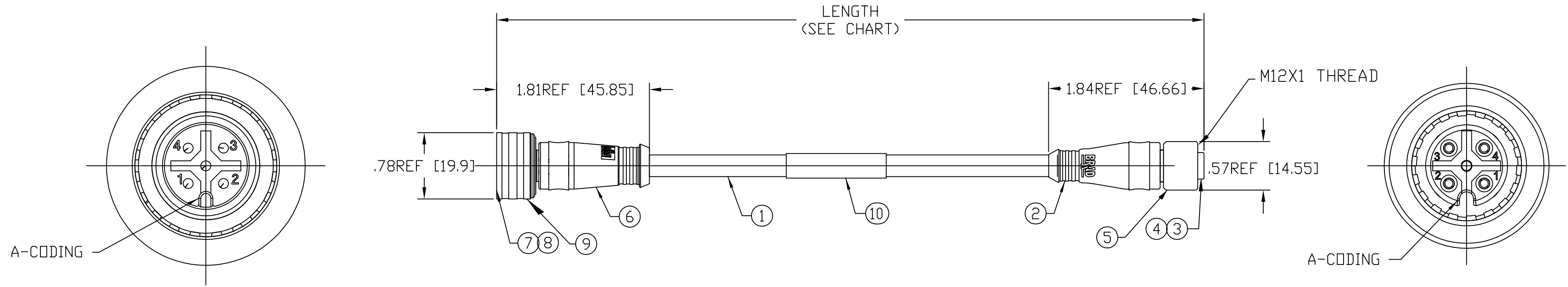
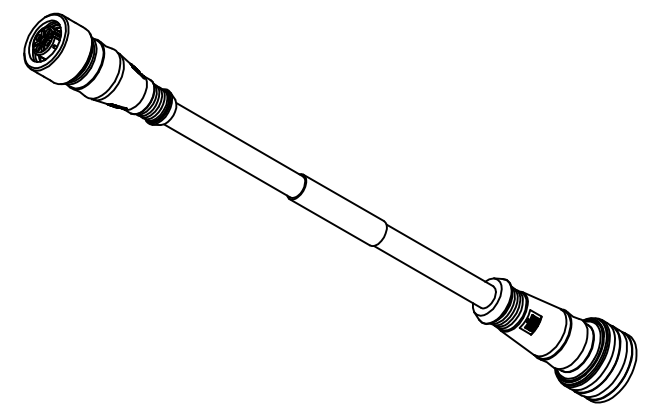


PART NUMBER	ENGINEERING NO.	LENGTH
1200805028	8W4030P03M006	2' 0" +1.8 - 0 [.6M +45MM - 0]
1200805029	8W4030P03M010	3' 3" +2.2 - 0 [1M +55MM - 0]
1200805030	8W4030P03M020	6' 6" +3.5" - 0 [2M +90MM - 0]
1200808004	8W4030P03M030	9' 8" +3.5" - 0 [3M +90MM - 0]
1200805031	8W4030P03M040	13' 1" +6.5" - 0 [4M +150MM - 0]
1200808005	8W4030P03M050	16' 4" +6.5" - 0 [5M +150MM - 0]



- NOTES:
- 1) MATERIAL: SEE TABLE
 - 2) FINISHES: SEE TABLE
 - 3) WRAP LABEL IS MARKED WITH P/N, DATE CODE, VOLTAGE & AMPERAGE.
 - 4) MATES WITH: MICRO CHANGE, 4 POLE RECEPTACLE
 - 5) ELECTRICAL DATA:
 INLINE CORDSET
 MALE A-CODING TO FEMALE A-CODING
 22AWG UNSHIELDED
 POLES: 4
 MAX. VOLTAGE: 250V
 MAX. CURRENT 4A
 CONTACT RESISTANCE: <5M Ohm
 PROTECTION IP67/68/69K
 TEMPERATURE RANGE: -20°C TO 80°C
 - 6) PACKAGING:
 CABLE ASSEMBLIES ARE BAGGED SEPERATELY
 IN POLY BAGS WITH BAR CODE LABEL ATTACHED
 TO OUTSIDE OF BAG.
 - 7) ASSEMBLY IS RoHS COMPLIANT.

P1		P2
1	BROWN	1
2	WHITE	2
3	BLUE	3
4	BLACK	4

WIRING DIAGRAM

ITEM	QTY.	DESCRIPTION	MATERIAL	FINISH
10	1	LABEL	PLASTIC FILM	BLACK/YELLOW
9	1	MALE COUPLING NUT	BRASS	NICKEL PLATED
8	4	PIN CONTACT	COPPER ALLOY	GOLD PLATED
7	1	MALE INSERT	PUR	BLACK
6	1	MALE OVERMOLD	PUR	YELLOW
5	1	FEMALE COUPLING NUT	BRASS	NICKEL PLATED
4	4	SOCKET CONTACT	COPPER ALLOY	GOLD PLATED
3	1	FEMALE INSERT	PUR	BLACK
2	1	FEMALE OVERMOLD	PUR	YELLOW
1	1	CABLE, 22AWG-4	PUR JACKET	BLACK

RELEASE EC NO: WEU2010-0062 DRWN: BWOODMAN 8/19/09 CH'KD: LH APPR: JFMURPHY 2009/08/21	DESCRIPTION REV	QUALITY SYMBOL ▽=0 ▽C=0	GENERAL TOLERANCES (UNLESS SPECIFIED) <table border="1"> <thead> <tr> <th></th> <th>mm</th> <th>INCH</th> </tr> </thead> <tbody> <tr> <td>4 PLACES</td> <td>±----</td> <td>±---</td> </tr> <tr> <td>3 PLACES</td> <td>±.005</td> <td>±.005</td> </tr> <tr> <td>2 PLACES</td> <td>±.013</td> <td>±.010</td> </tr> <tr> <td>1 PLACE</td> <td>±.025</td> <td>±.020</td> </tr> </tbody> </table>		mm	INCH	4 PLACES	±----	±---	3 PLACES	±.005	±.005	2 PLACES	±.013	±.010	1 PLACE	±.025	±.020	DIMENSION STYLE IN/MM	SCALE 1:1 DESIGN UNITS INCH	THIRD ANGLE PROJECTION
			mm	INCH																	
		4 PLACES	±----	±---																	
		3 PLACES	±.005	±.005																	
2 PLACES	±.013	±.010																			
1 PLACE	±.025	±.020																			
DRAFT WHERE APPLICABLE MUST REMAIN WITHIN DIMENSIONS			DRAWN BY DATE BW 2009/08/19	TITLE MICRO CHANGE ASSEMBLY 4-P M/FE ST/ST ULOCK/M12 22/4AWG PUR																	
APPROVED BY DATE -----			CHECKED BY DATE LH 2009/08/19	MOLEX INCORPORATED																	
MATERIAL NO. SEE CHART			APPROVED BY DATE -----	DOCUMENT NO. SD-120080-006	SHEET NO. 1 OF 1																

THIS DRAWING CONTAINS INFORMATION THAT IS PROPRIETARY TO MOLEX INCORPORATED AND SHOULD NOT BE USED WITHOUT WRITTEN PERMISSION