

SOLENOID PRODUCT SPECIFICATION

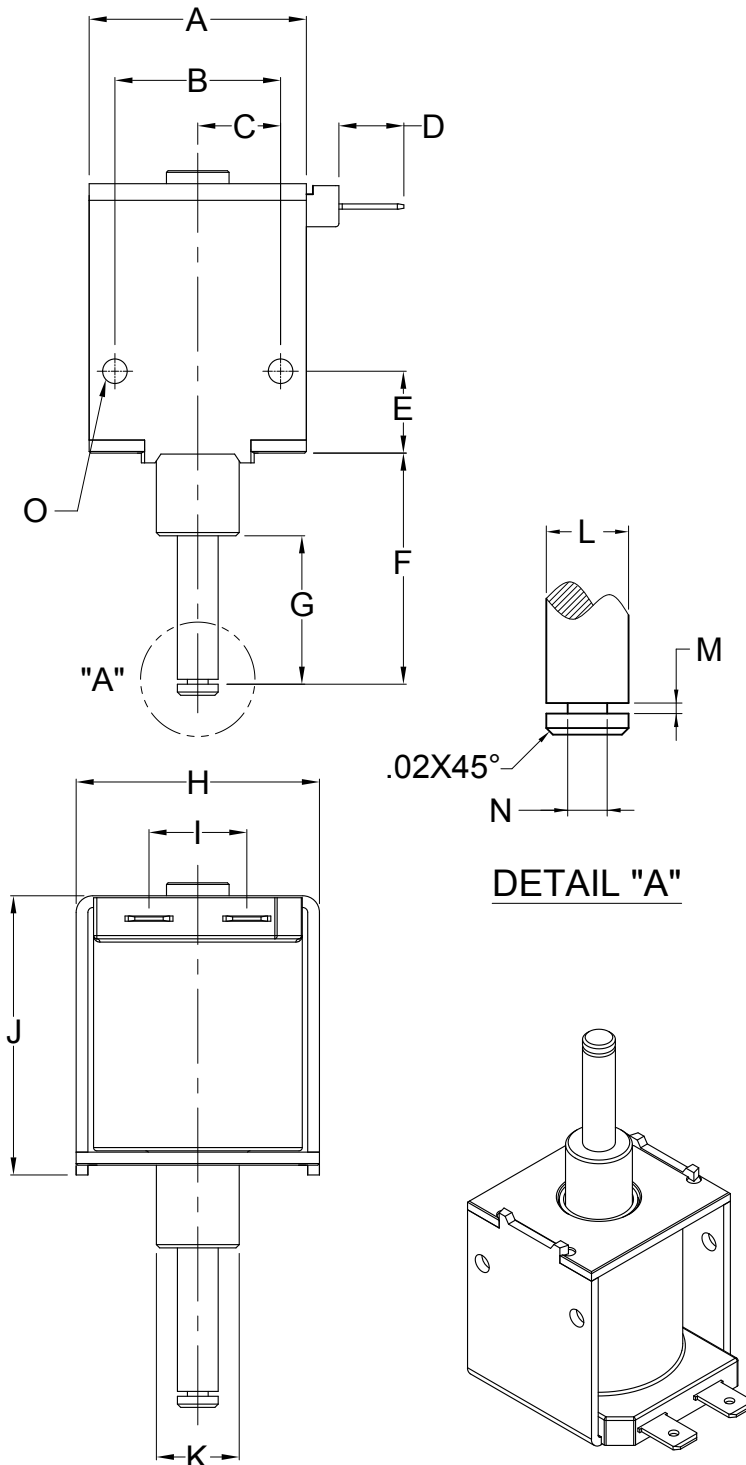
PART No.	VOLTAGE	DUTY CYCLE	POWER (W)	CURRENT (A)	DCR (Ω) *
DSOL-1341-240	240 VAC	17%, 4 Min. On Max.	235	0.98	246
DSOL-1341-120	120 VAC	17%, 4 Min. On Max.	220	1.85	65
DSOL-1341-24	24 VAC	17%, 4 Min. On Max.	220	9.2	2.6
DSOL-1341-12	12 VAC	17%, 4 Min. On Max.	250	21	0.57

* OPERATION: POWER TO PULL.

* DCR VALUES ARE ±10% AT 25°C

* WEIGHT ARE 230 GRAMS ±10%

1. MECHANICAL DIMENSIONS :



UNIT: Inch

A = 1.312 ± .015

B = 1.000 ± .015

C = .500 REF.

D = .390 ± .015

E = .500 ± .015

F = 1.407 ± .015

G = .900 ± .015

H = 1.468 ± .015

I = .590 REF.

J = 1.609 ± .015

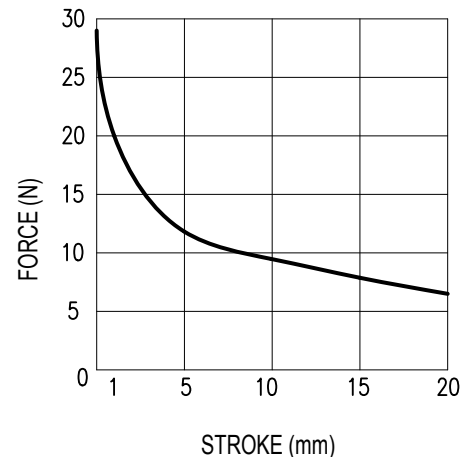
K = .500 ± .005

L = .247 + .003[^] - .005

M = .029 + .003[^] - .000

N = .125 + .003[^] - .000

O = 4XR.074±.002



INSULATION MATERIALS: UL CONSTRUCTION, CLASS B 130°C
 LIFE EXPECTANCY: 100K CYCLES OPERATIONS
 COULD OPERATED BY VDC, BUT PERFORMANCE WILL BE DIFFERENT.

LAYER TEST	IR. @500 Vdc.	HI-POT
(S-F) 2.8KVp. MIN.	COIL TO FRAME	@50/60Hz.,.2mA
TEST ONLY COIL	100 MOHM MIN.	COIL TO FRAME
		1500Vac.,60s