

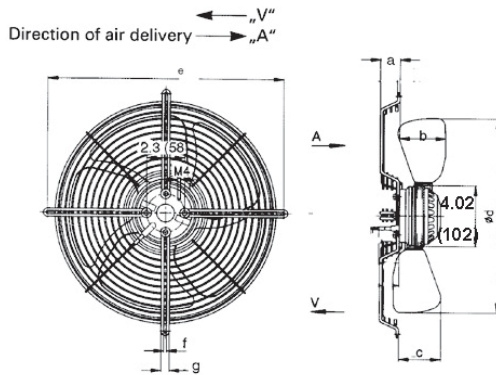
S6E450A Series

Axial

Ø 360mm S-Range

- ebm-papst offers a wide range of AC axial fans to optimally fit any application.
- All metal construction, shallow profile. Reduced noise and highly efficient compared to other fans.
- Direction of rotation is CCW looking at rotor.
- Maintenance-free ball bearings..
- UL, CSA, VDE approvals on some models, please contact application engineering.

Part Number	Curve	CFM @ 0	VAC	Hertz	Power (W)	dBA	Max Amb. Temp C	Bearing Type	Features	Capacitor (µF)	Grill Position	Wgt. (lbs)
S6E450-AP04-70	4	3070	115	50/60	220	66	40	Ball	Leads	16	Dischg	0.75
S6E450-AP04-71	4	3070	115	50/60	220	66	40	Ball	Leads	16	Inlet	0.75
S6E450-AP02-70	4	3070	230	50/60	220	66	40	Ball	Leads	4	Dischg	0.75
S6E450-AP02-71	4	3070	230	50/60	220	66	40	Ball	Leads	4	Inlet	0.75
S4E450-AP01-70	5	3735	230	50/60	350	75	40	Ball	Leads	8	Dischg	0.75
S4E450-AP01-71	5	3735	230	50/60	350	75	40	Ball	Leads	8	Inlet	0.75



Series	Dimensions - inches (mm)						
Number	a	b	c	d	e	f	g
S4E450	1.18 (30)	3.62 (92)	4.61 (117)	17.56 (446)	21.73 (552)	0.35 (9)	0.74 (19)

