

TMC6130 DATASHEET

*Cost-effective high-current BLDC motor driver with state-of-the-art feature set.
Fastest settling time and built-in EEPROM for extensive configuration.*



APPLICATIONS

- Battery operated equipment
- Handcraft gear
- Professional healthcare
- Fail-safe applications
- Low-torque control applications
- BLDC sine wave applications
- Positioning Actuators
- Factory Automation
- Pumps and Valves
- CNC Machines

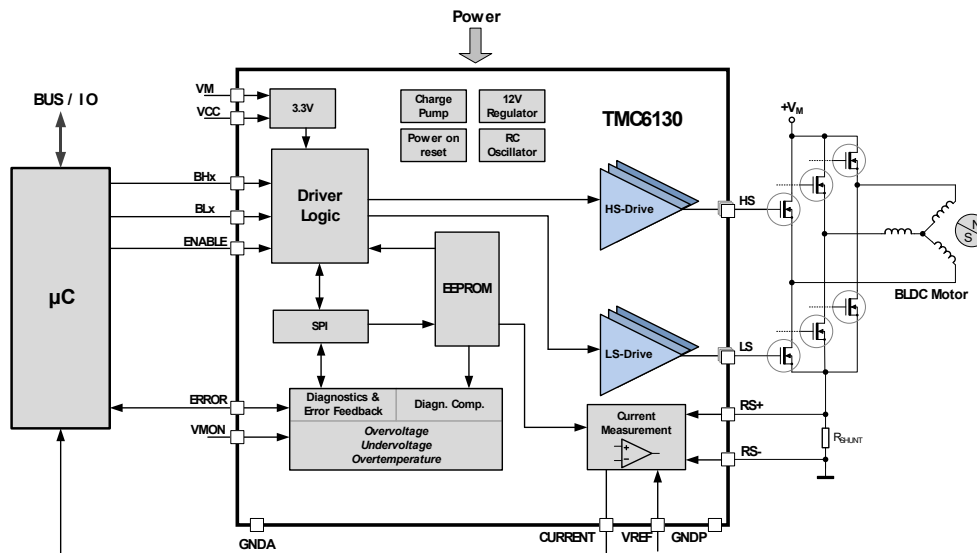
FEATURES AND BENEFITS

- Level Shifting:** μC PWM outputs / 6 or 3 ext. N-FET half-bridges
- 100% PWM Operation**
- Low Offset, Low Drift, Fast Current Sense Amplifier** with configurable input range
- Operating Range** $V_M = [4.5, 28]\text{V}$, 32V abs. max
- Fault Interrupt & Feedback** to microcontroller
- Fastest settling time** and minimum noise
- Diagnostics:** overcurrent, overtemperature, undervoltage
- Configurable communication interface** for diagnostics feedback
- Drain-Source Voltage / Gate-Source Voltage** external FET monitoring for short circuit protection
- Sleep Mode** with low quiescent current ($<30\mu\text{A}$)
- Compatible** with 3V and 5V microcontrollers
- Charge-Pump** provides NFET reverse polarity drive
- Small Size:** QFN 5x5mm package, 32 pins

DESCRIPTION

The TMC6130 is a high-current motor driver for compact and energy efficient BLDC solutions. It is designed to drive N-type FET 3-phase motor control applications and contains all power and analog circuitry required for a high performance system. The built-in EEPROM allows extensive configurability without the need for external resistors and SPI interface programming. This reduces the pin count to only 32. All output voltages are monitored and controlled. The device comprises a current shunt amplifier with a high gain bandwidth (GBW), offering a fast settling time with low noise. A combination of bootstrap and charge pump enables driving 6 (or 3) NFETs, with gate charges up to 400nC/NFET with a minimum of device self-heating. Further, the IC reset level below 4.5V allows also for low-voltage operation.

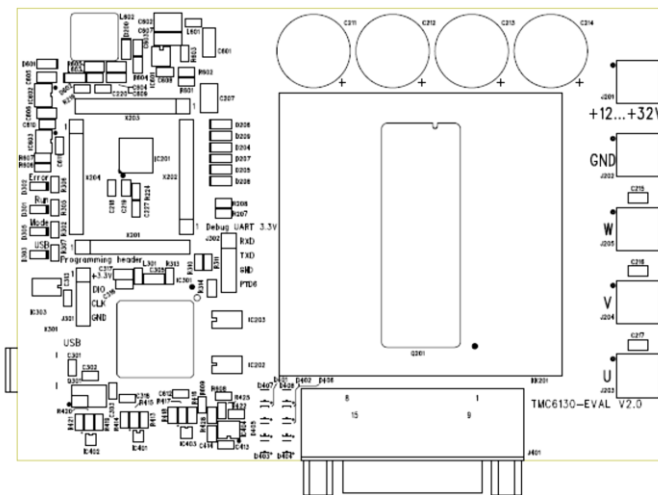
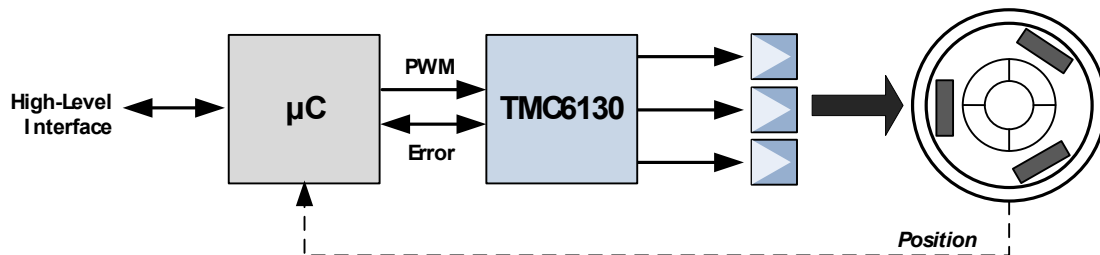
BLOCK DIAGRAM



APPLICATION EXAMPLES: HIGH POWER – FASTEST SETTLING TIME

The TMC6130 3-phase motor pre-driver scores with a very fast settling time, high reliability, and broad diagnostic and safety features. It can be used within a large operating range from battery systems on up to 24V DC. This versatility covers a wide spectrum of applications and motor sizes, all while keeping costs down.

Several safe operating features are integrated, including diagnostics related to all output voltages, power on reset, and short circuit protection. Diagnostics feedback is communicated to the microcontroller via a bidirectional error interface. Finally, this BLDC driver chip features a low side shunt amplifier with large gain bandwidth (GBW), ideal for torque control applications requiring very fast settling time and minimum noise. Extensive support at the chip, board, and software levels enables rapid design cycles and fast time-to-market with competitive products.



Layout with MOSFET power module (B6-bridge)

TMC6130 EVALUATION BOARD

This evaluation board is a development platform for applications based on the TMC6130 three phase BLDC motor driver chip. Supply voltages are 4.5... 28V DC (max. 32V). The board features an embedded microcontroller with USB and RS232 (TTL level) interfaces for communication. The board offers test points for all pins of the TMC6130.

For positioning, three digital hall sensors can be connected as well as an ABN encoder. Using the IOs, potentiometers and switches can be attached.

TRINAMICs TCMC-BLDC software tool (running under Windows) enables access to all functions of the TMC6130 from a PC.

ORDER CODES

Order code	Description	Size [mm ²]
TMC6130-LA	BLDC 3-phase driver, QFN32	5 x 5
TMC6130-EVAL	Evaluation board for TMC6130.	80 x 115

TABLE OF CONTENTS

1	PRINCIPLES OF OPERATION	4
1.1	KEY CONCEPTS	4
1.2	APPLICATION CIRCUITS	5
2	PIN ASSIGNMENTS	8
2.1	PACKAGE OUTLINE	8
2.2	SIGNAL DESCRIPTIONS.....	8
3	CURRENTS AND CURRENT CONTROL	10
3.1	SUPPLY SYSTEMS.....	10
3.2	100% PWM WITH BOOTSTRAP	11
3.3	CURRENT CONSUMPTION IN SLEEP MODE.....	11
4	DIAGNOSTICS.....	13
4.1	ERROR INTERFACE	13
4.2	HARDWARE PROTECTION	15
5	EEPROM DEFAULT CONFIGURATION	16
5.1	BASIC INFORMATION FOR SPI COMMUNICATION.....	17
6	SENSE AMPLIFIER.....	18
6.1	SENSE AMPLIFIER CURRENT RANGES: EXAMPLES FOR 1MΩ SHUNT.....	19
7	FET DRIVER IMPLEMENTATION	20
7.1	NORMAL OPERATION.....	20
7.2	FET DRIVER DURING SLEEP MODE	20
8	ABSOLUTE MAXIMUM RATINGS.....	21
9	GENERAL ELECTRICAL SPECIFICATIONS	22
9.1	OPERATIONAL RANGE (<i>UNLESS OTHERWISE SPECIFIED</i>)	22
10	PACKAGE MECHANICAL DATA	29
10.1	QFN32 DIMENSIONAL DRAWINGS.....	29
10.2	PACKAGE CODE	29
11	DISCLAIMER.....	30
12	ESD SENSITIVE DEVICE.....	30
13	TABLE OF FIGURES	31
14	REVISION HISTORY	32
15	REFERENCES.....	32

1 Principles of Operation

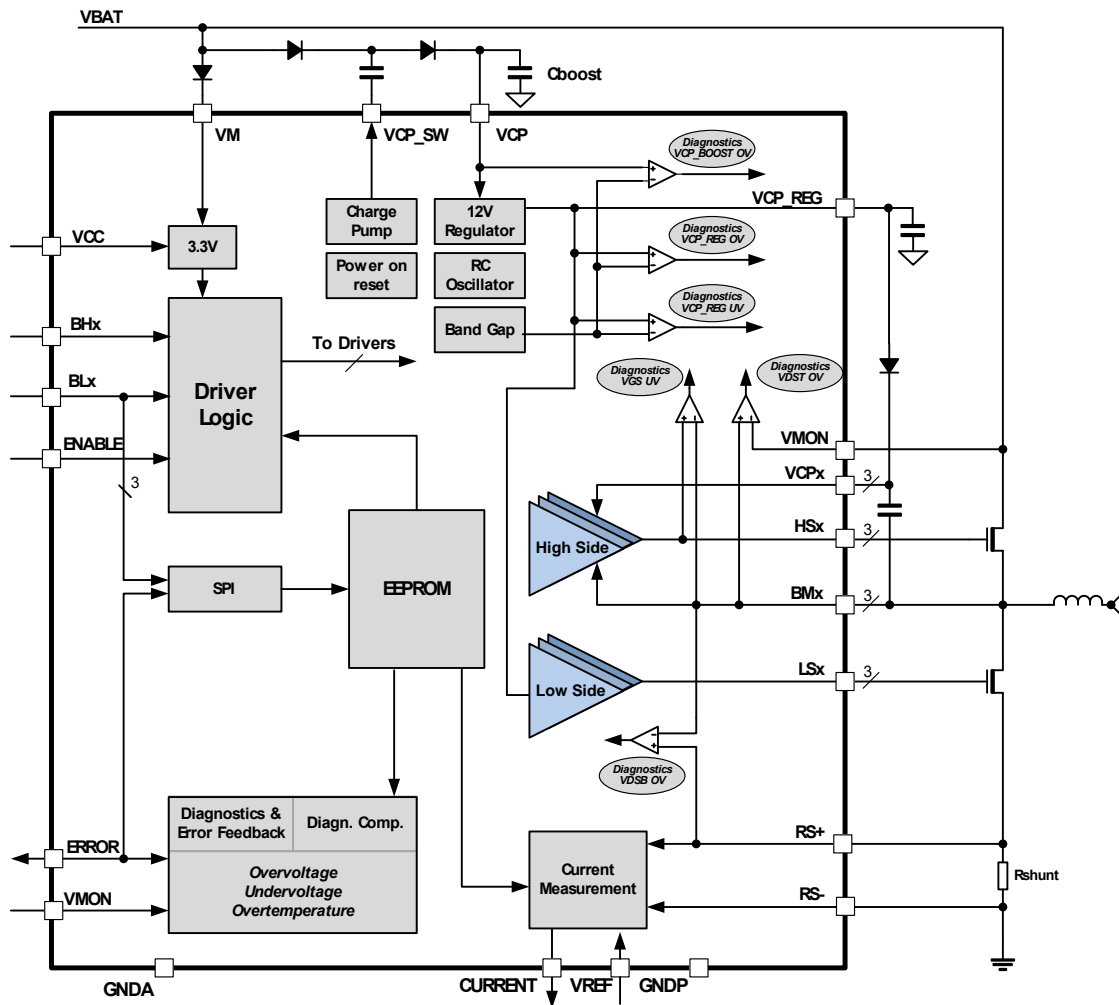


Figure 1.1 Block diagram and principle operation circuit

1.1 Key Concepts

The TMC6130 BLDC motor pre-driver implements advanced features which contribute toward energy efficiency, high precision, high reliability, smooth motion, and cool operation in industrial BLDC motor applications.

Configuration All configurations are done. The TMC6130 is equipped with a programmed EEPROM in order to simplify the design-in. In almost all cases the default values will fit. Nevertheless, special configurations are possible, if necessary.

Interfacing The TMC6130 communicates with the microcontroller using the ERROR input/output for diagnostic feedback. During stand still, the SPI interface on the pre-driver can be used for configuration purposes. Further, it is possible to communicate via bit banging.

Fast Settling Time The TMC6130 offers an extremely short settling time. The shunt amplifier has a high gain bandwidth (GBW) to reach a fast settling time with minimum noise.

Voltage The TMC6130 can be used within the range of 4.5V to 28V DC.

Boost Current For quick motor reaction on a target setting, a higher boost current can be used. This way, the time interval for acceleration and deceleration can be shortened.

Sleep Mode In sleep mode, the current consumption can be reduced to or below 30 μ A.

TRINAMIC motor drivers also offer safeguards to detect/protect from shorted outputs, overtemperature, overvoltage, and undervoltage conditions.

1.2 Application Circuits

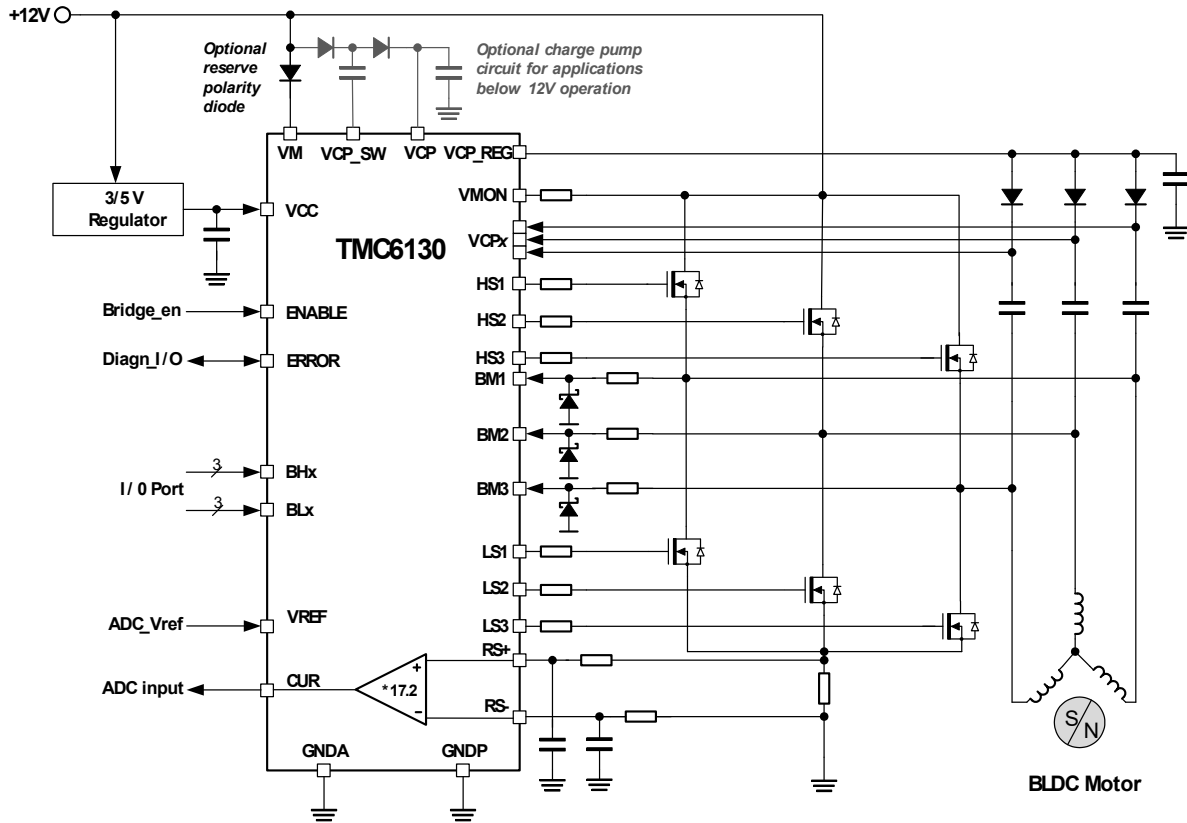


Figure 1.2 Application example for +12V DC

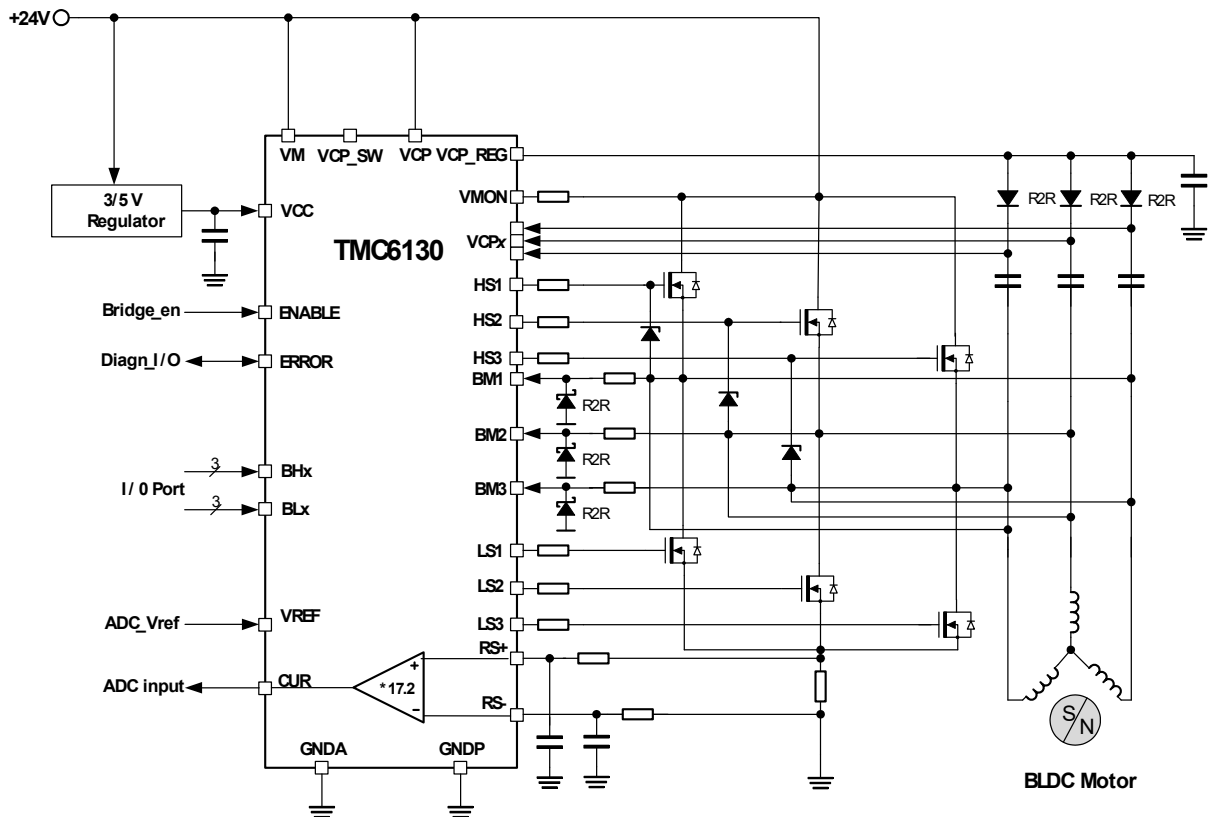


Figure 1.3 Application example for +24V DC

1.2.1 Ground Connections

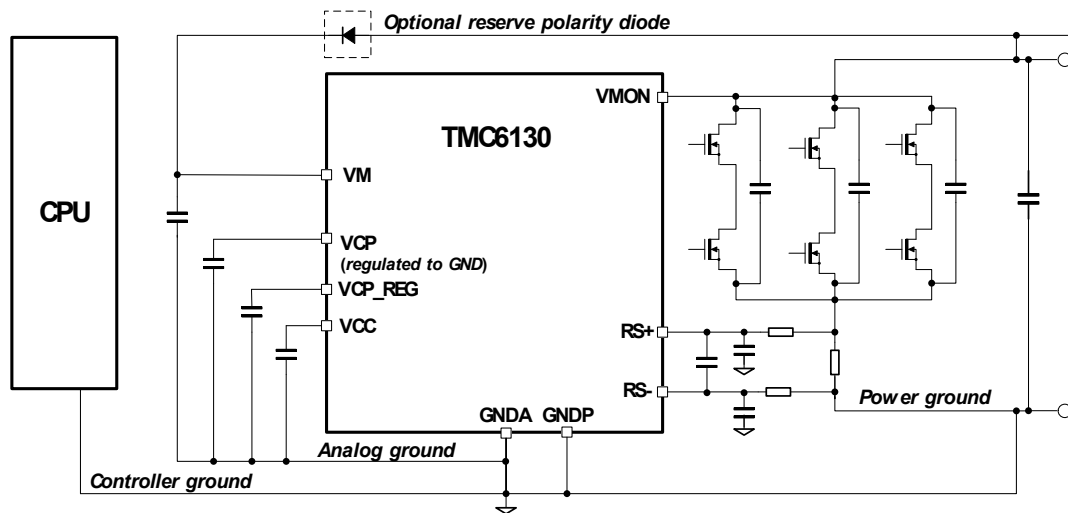


Figure 1.4 Ground connections

1.2.2 Pin Internal Connections

SUPPLY CONNECTIONS

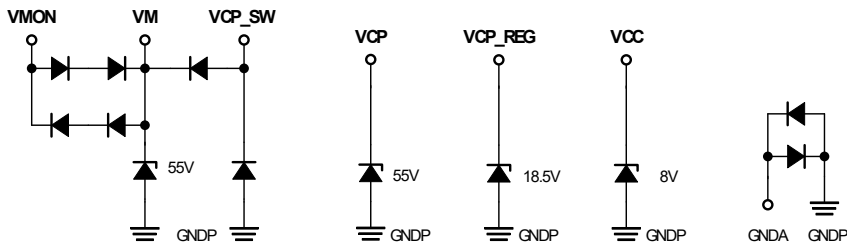


Figure 1.5 Supply connections

GATE DRIVER CONNECTIONS

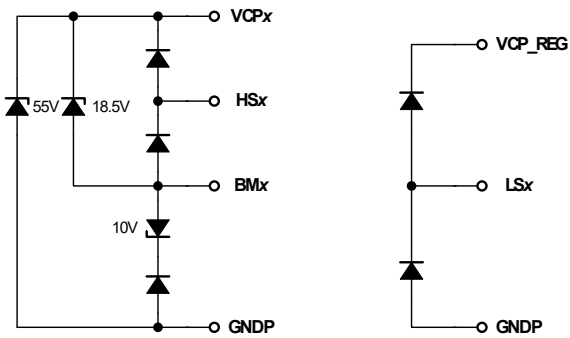


Figure 1.6 Gate driver connections

DIGITAL IO CONNECTIONS

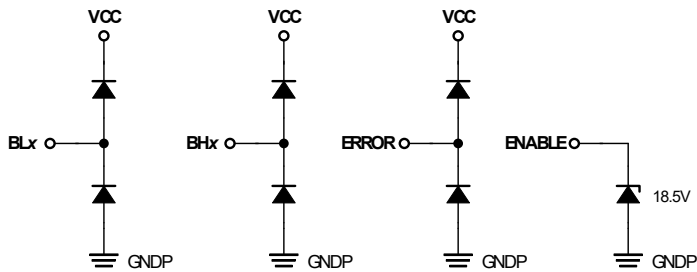


Figure 1.7 Digital IO connections

AMPLIFIER CONNECTIONS

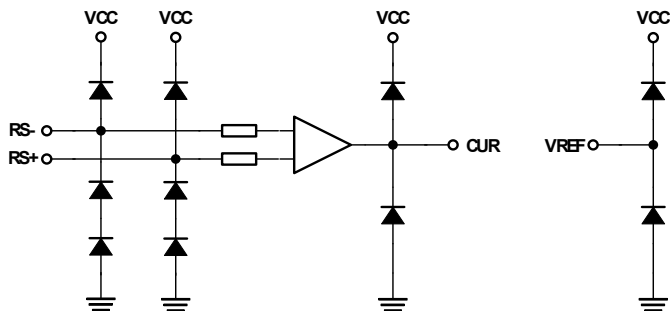


Figure 1.8 Amplifier connections

2 Pin Assignments

2.1 Package Outline

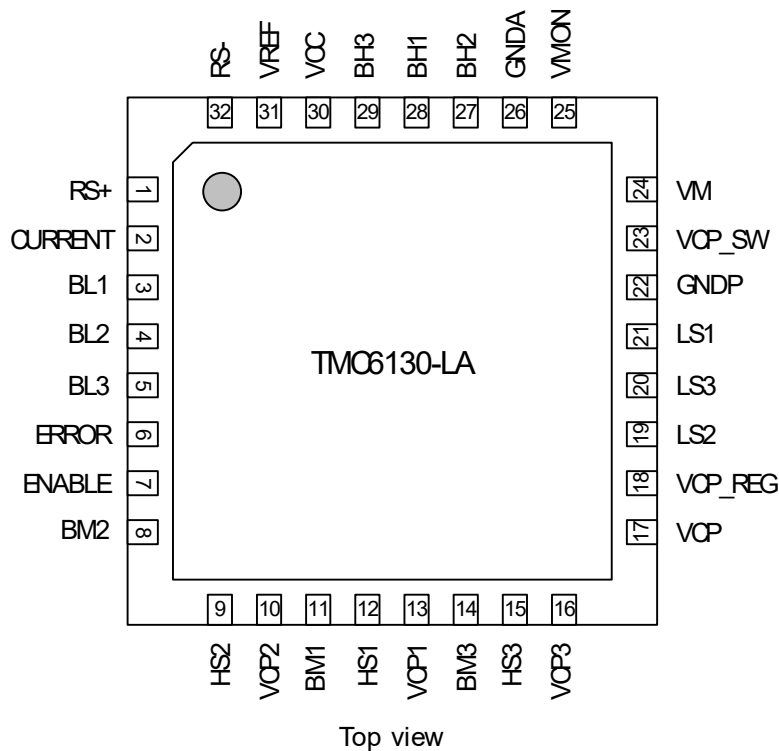


Figure 2.1 TMC6130 pin assignments

2.2 Signal Descriptions

Name	Number	Type	Function
RS+	1	Analog	Current sensor input (positive)
CURRENT	2	Analog	Current sensor output; diagnostic output in case of fault
BL1	3	Digital	PWM input for low-side bridge n-FET1
BL2	4	Digital	PWM input for low-side bridge n-FET2
BL3	5	Digital	PWM input for low-side bridge n-FET3
ERROR	6	IO	Diagnostic feedback IO
ENABLE	7	IO	Enable input
BM2	8	Phase	Motor phase 2
HS2	9	Output	PWM output to high-side n-FET2 gate
VCP2	10	Supply	Charge pump supply for high-side n-FET2
BM1	11	Phase	Motor phase 1
HS1	12	Output	PWM output to high side n-FET1 gate
VCP1	13	Supply	Charge pump supply for high-side n-FET1
BM3	14	Phase	Motor phase 3
HS3	15	Output	PWM output to high side n-FET3 gate
VCP3	16	Supply	Charge pump supply for high-side n-FET3
VCP	17	Analog	Charge pump generated supply, unregulated
VCP_REG	18	Analog	Regulated output from charge pump to drive n-FET gates
LS2	19	Output	PWM output to low-side n-FET2 gate
LS3	20	Output	PWM output to low-side n-FET3 gate
LS1	21	Output	PWM output to low-side n-FET1 gate
GNDP	22	Ground	Driver ground
VCP_SW	23	Analog	Output of charge pump to boost low battery
VM	24	Supply	Power supply input

Name	Number	Type	Function
VMON	25	Input	Supply for 3 high-side n-FETs to monitor drain source voltage V_{DS}
GND_A	26	Ground	Analog ground
BH2	27	Digital	PWM input for high-side n-FET2
BH1	28	Digital	PWM input for high-side n-FET1
BH3	29	Digital	PWM input for high-side n-FET3
VCC	30	Supply	The input voltage on VCC is used to drive the digital IO's, and is used to supply the shunt amplifier. Sleep mode control: VCC = 0V puts the pre-driver in sleep mode.
VREF	31	Analog	Reference voltage input for current sense
RS-	32	Analog	Current sensor input (negative)

Table 2.1 Pin definitions and descriptions

3 Currents and Current Control

3.1 Supply Systems

The current for operation of the system is supplied via V_M and V_{CC} . V_{CC} supplies the IOs, and the amplifier. In case V_{CC} is supplied with a limited output impedance (for instance from a microcontroller IO), the performance of the amplifier may be affected. V_M supplies the internal operation and the charge pump.

There are two possibilities to connect the boost current capacitor to the TMC6130. For charge pump mode 0 (default setting), connect it to VCP as shown in Figure 3.1.

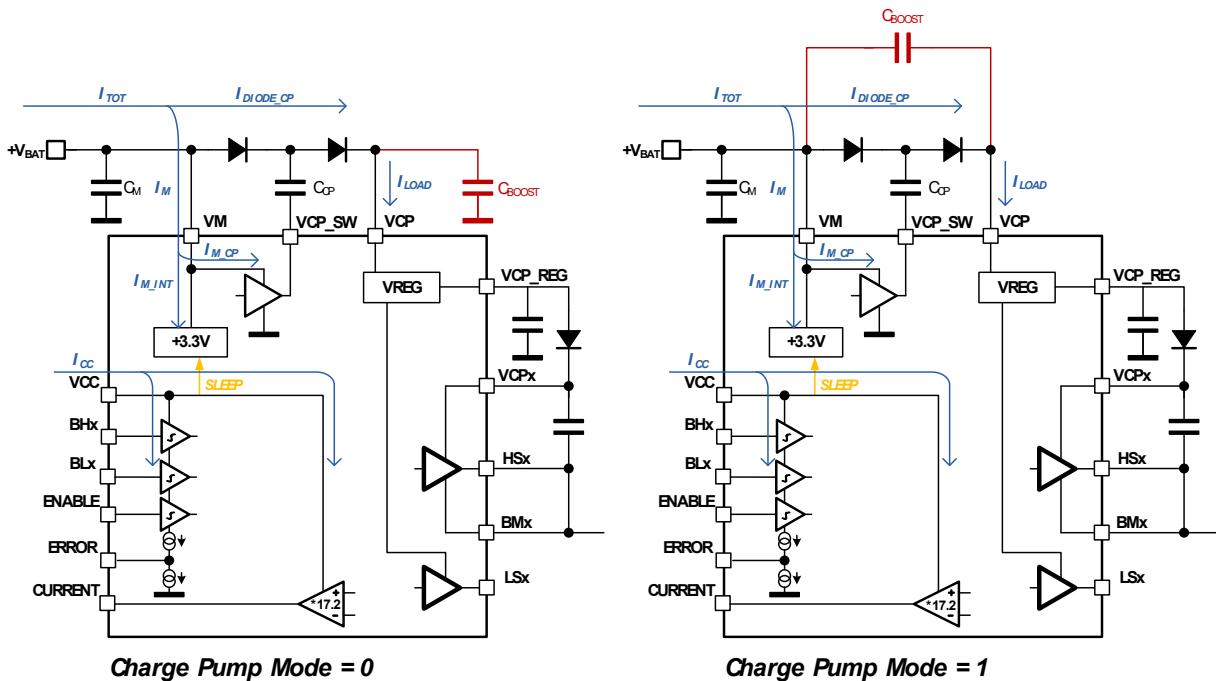


Figure 3.1 Power supply systems: CPMODE = 0 and CPMODE = 1

STANDARD OPERATION: CHARGE PUMP MODE = 0

The standard operation of the charge pump is to ensure sufficient gate voltage to the bootstrap capacitors in case of low voltage conditions. V_{BOOST} is regulated compared to GND level. The charge pump will not be switching when $V_M > V_{REG} + 2 \cdot V_F$ with V_F = forward voltage of charge pump diodes.

CHARGE PUMP MODE = 1 *(has to be programmed and stored in EEPROM via SPI)*

Alternatively, the charge pump can regulate V_{BOOST} compared to V_M . In this case the C_{BOOST} capacitor should be connected to V_M to ensure any supply variations are coupled to the V_{BOOST} level. The disadvantage is an additional amount of dissipation inside the pre-driver to regulate V_{REG} .

The default configuration is stored in the integrated EEPROM. In case CPMODE1 is desired, it is necessary to change EEPROM configuration bits (using the SPI interface or via bit banging).

3.2 100% PWM with Bootstrap

A current is drawn from the VCP_SW pin to the phase pins. This current will discharge the gate voltage on top of any external pull down gate resistance.

CALCULATION EXAMPLE 1		
Parameter	Value	Unit
bootstrap	330	nF
VCP_reg	12	V
Qbootstr	3960	nC
QFET	200	nC
VGS_initial	11.4	V
Rcp_leak	0.75	MΩ
Leakage	15	μA
<i>On time</i>	<i>60</i>	<i>ms</i>
Qleak	914	nC
VGS_end	9.4	V
VGS_drop	2.06	V

CALCULATION EXAMPLE 2		
Parameter	Value	Unit
bootstrap	100	nF
VCP_reg	12	V
Qbootstr	1200	nC
QFET	120	nC
VGS_initial	10.9	V
Leakage	15	μA
<i>On time</i>	<i>10</i>	<i>ms</i>
Qleak	152	nC
VGS_end	9.8	V
VGS_drop	1.13	V

This gate leakage will limit the maximum state time during which 100% PWM can be applied.

3.3 Current Consumption in Sleep Mode

Sleep mode is activated when the supply input V_{CC} is pulled below V_{CC_SLEEP} level. In sleep mode, the current consumption is reduced to I_{SLEEP}.

Pin	Current consumption in Sleep Mode	Input/Output
BHx BLx ENABLE VREF ERROR	Input pins, supplied from VCC	GND
CURRENT	Supplied from VCC	GND
VCP_REG	Supply regulator disabled	GND
VCP	Externally connected to supply.	~VBAT
VCP_SW	Charge pump disabled.	GND
VCPx	Any charge that remains after VCP_REG is disabled will leak to ground.	GND
HSx BMx	VM > 4.5V In sleep mode, gate-discharge-resistors (R _{SGD}) between HSx and BMx are activated.	GND
LSx	VM > 4.5V In sleep mode, gate-discharge-resistors (R _{SGD}) between LSx and DGND are activated.	GND

ATTENTION!

In case input pins are externally pulled high while VCC is low, current will flow into VCC via internal protection diodes. *This condition is not allowed!*

When VCC is pulled low, also ERROR will go low. This should not be interpreted as a diagnostic interrupt.

STATES IN SLEEP MODE

Name	Number	Type	State in Sleep Mode
RS+	1	Analog	GND
CUR	2	Analog	GND (tied to VCC)
BL1	3	Digital	GND (tied to VCC)
BL2	4	Digital	GND (tied to VCC)
BL3	5	Digital	GND (tied to VCC)
ERROR	6	IO	GND (tied to VCC)
ENABLE	7	IO	GND (tied to VCC)
BM2	8	Phase	Connected via diode to GATE2
HS2	9	Output	Internal pull down (R_{SGD}) to GND
VCP2	10	Supply	Any present charge leaks to GND
BM1	11	Phase	Connected via Diode to GATE1
HS1	12	Output	Internal pull down (R_{SGD}) to GND
VCP1	13	Supply	Any present charge leaks to GND
BM3	14	Phase	Connected via Diode to GATE3
HS3	15	Output	Internal pull down (R_{SGD}) to GND
VCP3	16	Supply	Any present charge leaks to GND
VCP	17	Analog	Connected via charge pump diodes to V_{BAT}
VCP_REG	18	Analog	GND
LS2	19	Output	Internal pull down (R_{SGD}) to GND
LS3	20	Output	Internal pull down (R_{SGD}) to GND
LS1	21	Output	Internal pull down (R_{SGD}) to GND
GNDP	22	Ground	Driver ground
VCP_SW	23	Analog	GND
VM	24	Supply	Power supply input
VMON	25	Input	Connected to supply
GND A	26	Ground	Analog ground
BH2	27	Digital	GND (tied to VCC)
BH1	28	Digital	GND (tied to VCC)
BH3	29	Digital	GND (tied to VCC)
VCC	30	Supply	Externally pulled low
VREF	31	Analog	GND
RS-	32	Analog	GND

4 Diagnostics

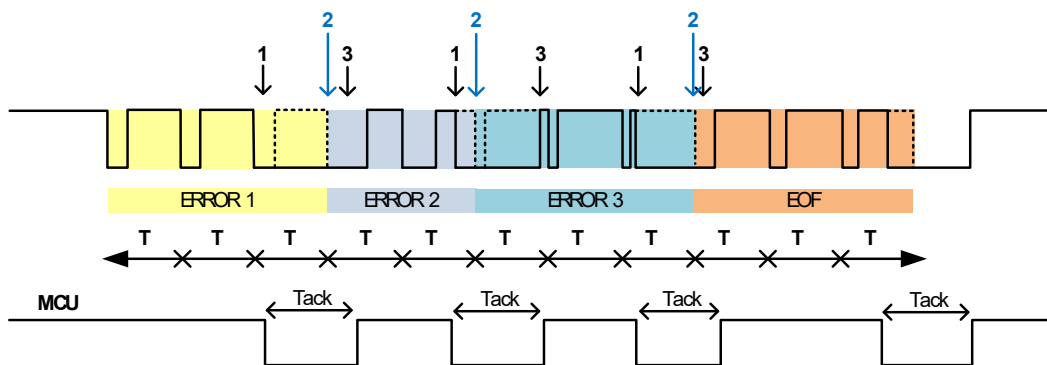
4.1 ERROR Interface

ERROR is a serial interface that feeds back detailed diagnostics information to the microcontroller. Two modes for supplying diagnostic feedback can be used (configured in EEPROM). The default configuration for the TMC6130 is $PWM_SPEED = 1$.

PWM_SPEED = 0 Slow response diagnostic mode
 PWM period $T_{ERROR} \approx 64\mu s$ for frequency F_{ERROR_S}

PWM_SPEED = 1 Fast response diagnostic mode
 PWM period $T_{ERROR} \approx 10\mu s$ for frequency F_{ERROR_F}

In these modes detailed diagnostic information is provided in the form of a PWM duty cycle. Each error corresponds to one duty cycle. The duty cycle is transmitted until the microcontroller acknowledges the reception of the duty cycle. The microcontroller acknowledges by pulling the ERROR line low for a period $t_{ACK} > t_{ERROR}$.



- 1 MCU pulls ERROR low.
- 2 TMC6130 detects acknowledge on falling edge.
- 3 MCU releases ERROR line.

Figure 4.1 ERROR handshake protocol

At each falling edge the TMC6130 checks the actual voltage on the ERROR line to detect an acknowledgement. When an acknowledgement is detected the duty cycle value is changed to the corresponding duty cycle value of the highest priority next error that has not yet been transmitted. This sequence of capturing duty cycle and acknowledging continues until the end of the frame (EOF) duty cycle has been received. By acknowledging the EOF duty cycle all error latches are reset and the ERROR line goes high again until a new error occurs.

ATTENTION

- It is possible that a lower priority error is transmitted before a higher priority error because the higher priority error occurred after the start of transmission of the lower priority error.
- When V_{CC} is pulled low to put the TMC6130 into sleep mode, ERROR will go low as well. As soon as V_{CC} goes high, ERROR will go high as well and remains high: no EOF is required in this case.
- As long as the regulated voltages on VCP and VCP_REG have not been achieved, ERROR may immediately start to go in diagnostic mode. This implies the microcontroller has to acknowledge these errors until the undervoltage conditions have been resolved. As soon as ERROR no longer enters diagnostic mode, the pre-driver is ready for operation.

ACKNOWLEDGE ON ERROR

For the CPU to acknowledge ERROR it should be able to keep the line low while ERROR is pulling the line high.

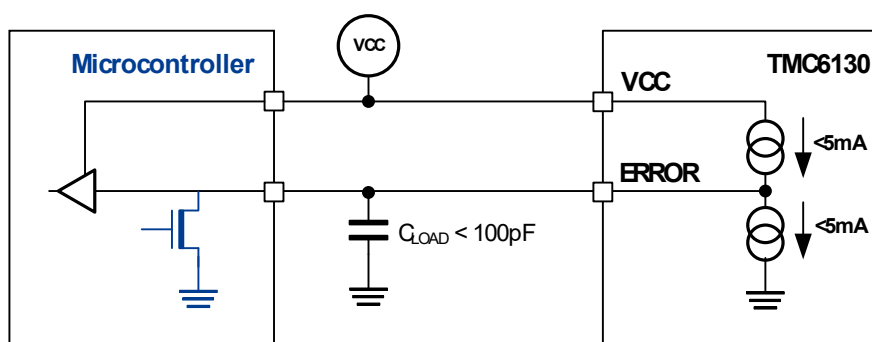


Figure 4.2 ERROR output

OVERVIEW DIAGNOSTIC ERRORS

Priority	Input Code	Error	Duty Cycle [%]	Debounce Time	Description
11	ERROR_EOF		93.5	n/a	End of frame
10	VDS_ERR		82,5	2 μ s	Drain-source voltage Error = VDS_T1 VDS_T2 VDS_T3 VDS_B1 VDS_B2 VDS_B3 <i>Can be Masked by VDS_COMP_EN.</i> <i>To avoid erroneous triggering due to switching there is a programmable blanking time on top of the debounce time: VDS_BLANKTIME[1:0].</i>
9	EEP_ERR		55	n/a	EEPROM DED error
8	VCC_UV		49.5	8 μ s	VCC undervoltage
7	VM_OV		44	2 μ s	VM overvoltage. <i>This event cannot be masked!</i>
6	VM_UV		38.5	8 μ s	VM undervoltage
5	OVT		33	2 μ s	Overtemperature
4	VCP_REG_UV		27.5	16 μ s	VCP_REG undervoltage
3	VGS_UV		22	2 μ s	Gate-source undervoltage <i>This event can be masked by setting VGS_UV_COMP_EN=0</i>
2	VCP_UV		16.5	16 μ s	VCP undervoltage
1	VCP_REG_OV		11	2 μ s	Voltage regulator overvoltage <i>This event can be masked by setting VREG_OV_BF_EN=0</i>

NOTES

- In case of multiple errors at the same time, priority is defined: 0 is highest priority, 16 is lowest priority.
- Duty cycle is transmitting with 5 bits resolution.
- Since the rise and fall times are matched, the resulting error is depending on the input comparator level of the microcontroller. If the comparator level is at VCC/2, there is no error. In any other case there is a systematic error which can be taken into account.

4.2 Hardware Protection

Hardware protection refers to the capability of the microcontroller to turn off the TMC6130 pre-driver without intervention in case of error condition. All gate voltages have to be pulled low to Z-state. An overvoltage condition on VM will always switch off the pre-driver, in order to protect it. This safety feature cannot be masked.

4.2.1 VDS Overvoltage

The reaction of the pre-driver on VDS (drain source voltage) overvoltage events can be configured in EEPROM with bridge feedback (BF) bits.

Per default configuration, *VDS_COMP_EN* and *VDS_BF_EN* are set to 1. Thus, in case of VDS overvoltage, ERROR reports error and the pre-driver becomes disabled.

For any other EEPROM configuration it is necessary to use the SPI interface or to communicate with the microcontroller via bit banging. Note, that in most cases it is not necessary to change EEPROM settings. Therefore, information about programming the EEPROM via SPI is subject of an application note and not mentioned here.

VDS_COMP_EN	VDS_BF_EN	Reaction
0	-	Any possible drain source (VDS) overvoltage events are neglected: no reaction on ERROR line. Pre-driver remains active.
1	0	ERROR reports error and pre-driver remains active.
1	1	ERROR reports error and pre-driver is disabled.

4.2.2 VCP_REG Overvoltage

The reaction of the pre-driver on VCP_REG overvoltage events can be configured in EEPROM with bridge feedback (BF) bits.

The default configuration is *VCP_REG_OV_BF_EN* = 1. Thus, ERROR reports error and bridge driver is set in tri-state if the error flag *VCP_REG_OV* is set.

For any other EEPROM configuration it is necessary to use the SPI interface or to communicate with the microcontroller via bit banging. Note, that in most cases it is not necessary to change EEPROM settings. Therefore, information about programming the EEPROM via SPI is subject of an application note and not mentioned here.

VCP_REG_OV_BF_EN	Reaction
0	ERROR reports error.
1	ERROR reports error. VCP_REG overvoltage bridge feedback is enabled: 1: When error flag <i>VCP_REG_OV</i> = 1 → bridge driver is set in tri-state. 0: When error flag <i>VCP_REG_OV</i> = 1 → no effect on bridge driver. This setting can be used to mask <i>VCP_REG_OV</i> event.

4.2.3 Pre-driver Output State Summary

The table below shows all conditions due to which the pre-driver may be disabled.

Pre-driver disabled (Z-state)	Pre-driver released again
As soon as an error condition appears for which the hardware protection is activated. VM_OV VDS VCP_REG_OV	As soon as the end of frame EOF has been acknowledged.
As soon as VCC is low.	As soon as VCC is high.
As soon as ENABLE is low.	As soon as ENABLE is high.

5 EEPROM Default Configuration

A good pre-driver configuration is already done by TRINAMIC. The EEPROM features single error correction and double error detection.

EEPROM PROGRAMMING

The EEPROM data can be programmed by the microcontroller via an SPI interface. In most cases it is not necessary to change EEPROM settings. Therefore, information about programming the EEPROM via SPI is subject of an application note and not mentioned here.

MEMORY MAP

SPI Address [2:0]	ED7	ED6	ED5	ED4	ED3	ED2	ED1	ED0
0	Res.	Res.	Res.	Res.	Res.	Res.	Res.	Res.
1	Res.	Res.	Res.	Res.	Res.	Res.	Res.	Res.
2	DEAD_TIME[2:0]			VDSMON[2:0]			CPMODE	Res.
3	VDS_BLANK_TIME[1:0]		PWM_SPEED	Res.	CUR_GAIN[2:0]			Res.
4	VREG_OV_BF_EN	VDS_BF_EN	VDS_COMP_EN	VGS_UV_COMP_EN	0	EN_CP	Res.	Res.
5	SPI_EN	1	Res.	Res.	Res.	Res.	Res.	Res.

EEPROM BITS

Bit name	Description	Default
Driver Configuration		
DEAD_TIME[2:0]	Defines the DEAD TIME between the HS FET and LS FET of the same phase. Default value: 1.0µs.	011
VDSMON[2:0]	Defines the detection threshold level of the Vds monitoring. Default value: 2V.	111
VDS_BLANK_TIME [1:0]	Defines the duration of the Vds monitor blanking time after the on-transition of the FET. Default value: 3.0 µs	10
CUR_GAIN[2:0]	Defines the gain of the current sense amplifier. Default value: *17.2	011
CPMODE	0: VBOOST voltage is regulated relative to ground 1: VBOOST voltage is regulated relative to VSUP.	0
IC Configuration		
SPI_EN	When set, the SPI block is enabled. When reset, no SPI possible. In SPI mode this value can only be programmed from 1 to 0, not from 0 to 1.	1
VCP_REG_OV_BF_EN	VCP_REG Overvoltage bridge feedback enable 1: When VCP_REG_OV = 1 → Bridge driver is SET in tri-state 0: When VCP_REG_OV = 1 → No effect on Bridge driver.	1
VDS_BF_EN	VDS bridge feedback enable 1: When VDS_ERR = 1 → Bridge driver is SET in tri-state. 0: When VDS_ERR = 1 → No effect on Bridge driver.	1
VDS_COMP_EN	1: VDS comparator enabled 0: VDS comparator disabled	1
VGS_UV_COMP_EN	1: gate-source undervoltage comparator enabled 0: gate-source undervoltage comparator disabled	0
PWM_SPEED	1: PWM = F _{ERROR_F} 0: PWM = F _{ERROR_S} (ERROR PWM frequency slow ≈ 12.5KHz.)	1
EN_CP	1: boost charge pump enabled 0: boost charge pump disabled	0
OUT_RESERVE_RG	Undefined	0

5.1 Basic Information for SPI Communication

To communicate with the TMC6130 via SPI the motor has to be in standstill because of pin sharing. When the chip is in SPI mode the EEPROM is programmable and readable via the SPI port.

The TMC6130 switches from *normal mode* to *SPI mode* if the following conditions are met:

- EN = 0
- ERROR:
 - Any pending errors have been acknowledged
 - All BHx = high
 - All BLx = low
 - A Low Level pulse is applied on ERROR between 256µs (2048 Tclk) and 512µs (4096 Tclk)

The chip returns from SPI mode to normal mode when

- EN = 1.

This means that any ongoing EEPROM writes will be completed and the EEPROM state machine will copy all EEPROM contents into registers. Then the chip will return to normal mode. During this time the ERROR pin will be kept low.

When the TMC6130 comes out of power ON reset, after leaving SPI mode and returning to normal mode, the pre-driver will be blocked until the data have been copied to the registers. This assures that all chip parameters are set correctly.

It only makes sense for the CPU to call for SPI if all errors are clear and acknowledged.

6 Sense Amplifier

The sense amplifier offers very low input offset, and very fast settling times. The input range can be adjusted by applying a suitable voltage on the VREF pin, typically as a resistor divider on VCC. For the definition of VREF, the input offset, the current range, and the linear output range of the CURRENT pin should all be taken into account.

$$\text{Input signal: } V_{IN} = V_{ISP} - V_{ISN}$$

$$\text{Max. input offset: } V_{\text{OFFSET_MAX}} = V_{IS_IO_MAX} + T_{\text{RANGE}} * V_{IS_IO_TDRIFT}$$

$$T_{\text{RANGE}} = \text{over the full temperature range}$$

$$V_{\text{ISENSE}} = (V_{IN} +/- V_{\text{OFFSET}}) * I_{\text{SGAIN}} + V_{\text{REF}} \text{ has to be in the range } [V_{\text{ISENSE_MIN}}, V_{\text{ISENSE_MAX}}]$$

$$I_{\text{MIN}} = [(V_{\text{ISENSE_MIN}} - V_{\text{REF}}) / I_{\text{SGAIN}} + V_{\text{OFFSET}}] / R_{\text{SHUNT}}$$

$$I_{\text{MAX}} = [(V_{\text{ISENSE_MAX}} - V_{\text{REF}}) / I_{\text{SGAIN}} - V_{\text{OFFSET}}] / R_{\text{SHUNT}}$$

Symbol	Parameter
V_{IS_IO}	Input offset voltage
$V_{IS_IO_TDRIFT}$	Input offset voltage thermal drift
I_{SGAIN}	Closed loop gain
$V_{\text{ISENSE_MIN}}$	I_{SENSE} output voltage range low
$V_{\text{ISENSE_MAX}}$	I_{SENSE} output voltage range high
V_{REF}	Reference voltage input

The table below shows the current input range for two resistive divider settings on V_{REF} .

1. $V_{\text{REF}} = V_{\text{CC}}/2$ for a symmetrical input range
2. $V_{\text{REF}} = V_{\text{CC}}/18$ for a maximum current level, whilst ensuring it is possible to measure the input offset before starting the motor ($I_{\text{SENSE_MIN}} > 0\text{A}$).

For ease of calculation a max temperature offset drift of 1mV was added to the 5mV offset. From this follows that the maximum input offset is 6mV.

VCC	3.3	3.3	3(**)	3(**)	5	5	4.5(**)	4.5(**)
Visensemin	0.02	0.02	0.02	0.02	0.02	0.02	0.02	0.02
Visensemax	3.28	3.28	2.98	2.98	4.98	4.98	4.48	4.48
div	2	18	2	18	2	18	2	18
VREF	1.65	0.18	1.50	0.17	2.50	0.28	2.25	0.25
Voffset	0.006							

6.1 Sense Amplifier Current Ranges: Examples for 1M Ω Shunt

I_{SENSE_MIN}

Gain	DIV2	DIV18	DIV2	DIV18	DIV2	DIV18	DIV2	DIV18
8	-198	-14.4	-179	-12	-304	-26.2	-273	-23
10.3	-152	-9.9	-138	-8	-235	-19.0	-211	-16
13.3	-117	-6.3	-105	-5	-180	-13.4	-162	-11
17.2	-89	-3.5	-80	-3	-138	-9.0	-124	-7
22.2	-67	-1.4	-61	-0.6	-106	-5.6	-94	-4
28.7	-51	0.3(*)	-46	0.9(*)	-80	-3.0	-72	-2
37.0	-38	1.6(*)	-34	2.0(*)	-61	-1.0	-54	0
47.8	-28	2.6(*)	-25	3(*)	-46	0.6	-41	1

- (*) Applying a GAIN of 28.7 or higher with DIV 18 for 3.3V does not allow the measure the input offset
- (**) examples taking a 10% supply variation into account.

I_{SENSE_MAX}

Gain	DIV2	DIV18	DIV2	DIV18	DIV2	DIV18	DIV2	DIV18
8	198	381	179	346	304	582	273	523
10.3	152	295	138	267	235	451	211	405
13.3	117	227	105	206	180	348	162	312
17.2	89	174	80	158	138	267	124	240
22.2	67	133	61	121	106	206	94	185
28.7	51	102	46	92	80	158	72	141
37.0	38	78	34	70	61	121	54	108
47.8	28	59	25	53	46	92	41	82

7 FET Driver Implementation

7.1 Normal Operation

The top side FET drivers are bootstrapped drivers. Each of the six external FET transistors which have to be connected can be controlled directly via six digital inputs.

The six external FET transistors (or three half bridges) can also be controlled using only three digital input signals. Therefore, proceed as follows:

- Connect the BHx to VCC.
- Control the 3 phases via the BLx inputs. In this mode of operation, the TMC6130 will automatically generate the programmed dead times.

The drain source voltage VDS as well as the gate voltage VGS are monitored to ensure fail safe operation. The FET gate outputs are all pulled low by pulling ENABLE low.

7.2 FET Driver during Sleep Mode

In sleep mode, a gate discharge resistance ($R_{SGD} \sim 1k\Omega$) is activated. This ensures that the FET gates remain fully in OFF state. It is the responsibility of the microcontroller to ensure all gate voltages are low, for instance by setting the ENABLE input low, prior to switching to sleep mode.

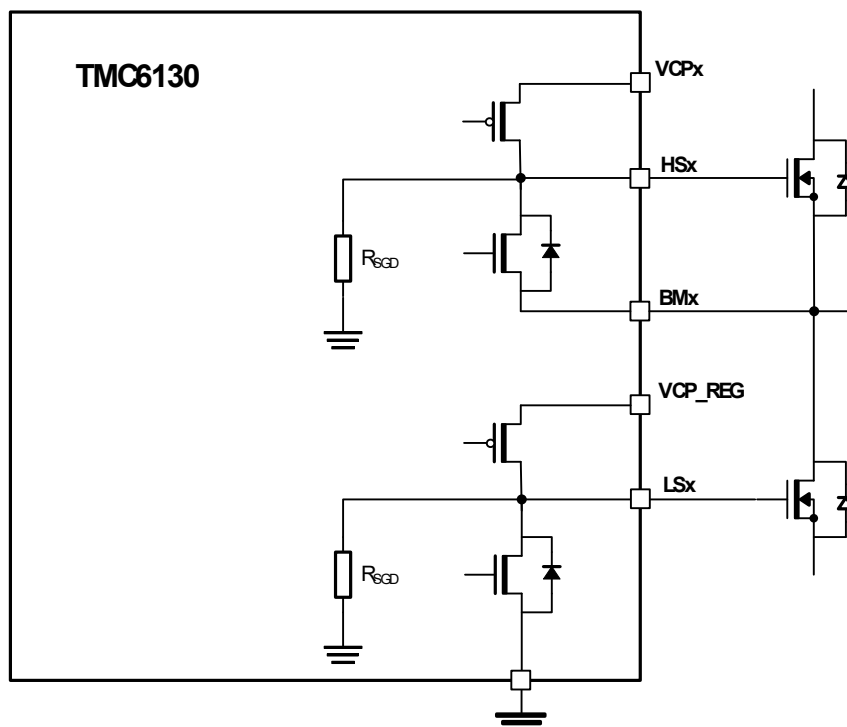


Figure 7.1 Fet driver during sleep mode: BMx is kept low with HSx through the internal body diode of the TMC6130.

8 Absolute Maximum Ratings

The maximum ratings may not be exceeded under any circumstances. Operating the circuit at or near more than one maximum rating at a time for extended periods shall be avoided by application design. All voltages are referenced to ground (GND). Positive currents flow into the IC. The absolute maximum ratings given in the table below are limiting values that do not lead to a permanent damage of the device but exceeding any of these limits may do so. Long term exposure to limiting values may affect the reliability of the device. Reliable operation of the IC is only specified within the limits shown in the table.

Parameter	Symbol	Condition	Min	Max	Unit
Supply voltage	V_M	$t < 200\text{ms}$ * ¹⁾	-0.5	45	V
	V_{MON}	permanent (functional)	-0.5	28	V
Voltage on analogue LV	V_{AN_LV}		-0.5	VCC+0.5	V
Digital output voltage	V_{OUT_DIG}		-0.5	VCC+0.5	V
Digital input voltage	V_{IN_DIG}		-0.5	VCC+0.5	V
Digital input current	I_{IN_DIG}		-10	10	mA
Input voltage on BMx pins	V_{IN_BMX}		-2	45	V
Maximum latch-up free current at any pin	I_{LATCH}	according JEDEC JESD78, AEC-Q100-004	-100	100	mA
ESD capability of any other pin	ESD	human body model * ²⁾	-2	+2	kV
Storage temperature	t_{STG}		-55	150	°C
Junction temperature	t_J	* ³⁾	-40	150	°C
Thermal resistance package	R_{THJA}	in free air on multilayer pcb (JEDEC 1s2p)	(37) to be confirmed	K/W	
	R_{THJC}	referring to center of exposed pad	(10) to be confirmed	K/W	

NOTES

*¹⁾ Only during load dump pulse.

*²⁾ Equivalent to discharging a 100pF capacitor through a 1.5kΩ resistor conform to MIL STD 883 method 3015.7

*³⁾ For applications with $t_J > 125\text{C}$: the extended temperature range is only allowed for a limited period of time.

The application mission profile has to be agreed by TRINAMIC. Some analogue parameters may drift out of limits, but chip function is guaranteed.

9 General Electrical Specifications

9.1 Operational Range (*unless otherwise specified*)

Parameter	Symbol	Min	Max	Unit
Application temperature	t_A	-40	125	°C
Supply voltage TMC6130	V_M	7	18	V
V_{CC} logic supply input voltage	V_{CC}	3	5.5	V

BATTERY SUPPLY						
Parameter	Symbol	Test Conditions	Min	Typ	Max	Units
Supply voltage	V_M		7		18	V
Supply voltage extended range low	V_{M_ERL}	Functional with relaxed specification.	4.5		7	V
Supply voltage extended range high	V_{M_ERH}	Functional with relaxed specification.	18		28	V
Quiescent current drawn from VM	I_{MSLEEP}	$V_{CC} = \text{low}$			30	μA
Operating current drawn from VM	I_{M_INT}	Pre-driver operation without charge pump operation ($EN_CP=0$).			1	mA
Battery overvoltage threshold high	V_{M_OVH}	Warning on ERROR.			35	V
Battery overvoltage threshold low	V_{M_OVL}	ERROR released.	31			V
Battery overvoltage threshold hyst	$V_{M_OV_HY}$		0.4	1		V
Battery overvoltage debounce time	$V_{M_OV_DEB}$				2	μS
Battery undervoltage threshold high	V_{M_UVH}	Warning on ERROR.			6	V
Battery undervoltage threshold low	V_{M_UVL}	ERROR released.	5			V
Battery undervoltage threshold hyst	V_{M_UVHY}		0.2	0.5		V
Battery undervoltage debounce time	$V_{M_UV_DEB}$				10	μS
Power on reset level	V_{POR}	Reset released on rising edge of V_M while V_{CC} is high.	3		4.5	V

POWER AND TEMPERATURE						
Parameter	Symbol	Test Conditions	Min	Typ	Max	Units
Overtemperature protection high	OT _H	Warning on ERROR.	153	166	183	°C
Overtemperature protection low	OT _L	ERROR released.	123	137	153	°C

VCC IO SUPPLY INPUT						
Parameter	Symbol	Test Conditions	Min	Typ	Max	Units
VCC operating current	I _{CC}	Maximum input current includes ERROR current sourcing.			20	mA
VCC pull down resistance	V _{CC_RPD}		230	300	370	KΩ
VCC input voltage	V _{CC}	V _{CC} = 3.3V or 5V, logic supply.	3		5.5	V
VCC input undervoltage high ¹⁾	V _{CC_UV_H}	V _{CC} increasing, NFET control is activated.	2.7		2.8	V
VCC input undervoltage low	V _{CC_UV_L}	V _{CC} decreasing, disable NFET control.	2.6		2.7	V
VCC input undervoltage hyst	V _{CC_UV_HY}		0.07	0.1		V
VCC sleep voltage high	V _{CC_SLEEP_H}	V _{CC} increasing, out of sleep.	2.45		2.6	V
VCC sleep voltage low	V _{CC_SLEEP_L}	V _{CC} decreasing, go to sleep.	1.9		2	V
VCC sleep voltage hyst	V _{CC_SLEEP_HY}		0.45	0.58		V

¹⁾ The info V_{CC_UV_X} is used to disable the control of the external FETs.

ON-CHIP OSCILLATOR						
Parameter	Symbol	Test Conditions	Min	Typ	Max	Units
Charge pump frequency	F _{CP}		170		230	KHz
ERROR PWM frequency fast	F _{ERROR_F}		85		115	KHz
ERROR PWM frequency slow	F _{ERROR_S}		10.6		14.4	KHz
SPI start up pulse duration	t _{SPI_SU}	EN = Low BH1/2/3 = low BL1/2/3 = high	2048/F OSC		4096/F OSC	Sec

The charge pump of the TMC6130 can be used with three modes of operation.

CHARGE PUMP / CPMODE=X <i>(Silicon diodes BAS16, Ccp=1μF, Cboost=1μF +Creg=4.7μF: to be confirmed)</i>						
Parameter	Symbol	Test Conditions	Min	Typ	Max	Units
Resistive load from VCP to GND	R _{CP_LEAK}	R _{TYP} = room temperature R _{MIN} = 150C (excl. R _{VCP_REG_LEAK})	6	8		MΩ
Output slew rate				100		V/us
Charge pump frequency	F _{CP}		170	200	230	kHz
VCP undervoltage (VCP high)	V _{CP_UVH}	ERROR released.			7.2	V
VCP undervoltage (VCP low)	V _{CP_UVL}	Warning on ERROR.	5.7		6.7	V

CHARGE PUMP / CPMODE=0 <i>(Silicon diodes BAS16, Ccp=1μF, Cboost=1μF +Creg=4.7μF: to be confirmed)</i>						
Parameter	Symbol	Test Conditions	Min	Typ	Max	Units
CP Load current on VCP_REG	I _{CP_REG_MOD} E0	V _{CP_REG} > 11V EN_CP = 1			40	mA
Output voltage VCP_REG	V _{REG}	V _M > 8V I _{reg} < 40mA	11	12	13	V
Output voltage VCP_REG	V _{CP_REG}	V _M = [7,8]V I _{VCP_REG} < 40mA	10		13	V
VCP Undervoltage, (VCP high)	V _{CP_UVH}	ERROR released.			7.2	V
VCP Undervoltage, (VCP low)	V _{CP_UVL}	Warning on ERROR.	5.7		6.7	V

CHARGE PUMP / CPMODE=1 <i>(Silicon diodes BAS16, Ccp=1μF, Cboost=1μF +Creg=4.7μF: to be confirmed)</i>						
Parameter	Symbol	Test Conditions	Min	Typ	Max	Units
CP load current on VCP_REG	I _{CP_REG_MOD} E1	V _{REG} > 11V EN_CP = 1			20	mA
Reverse polarity NFET gate voltage (V _{CP} - V _M)	V _{GS_RPFET}	V _M > 7 I _{VCP_REG} < 20mA	5	12	13	V
Output voltage VCP_REG	V _{CP_REG}	I _{REG} < 20mA	11	12	13	V
VCP undervoltage, (V _{CP} - V _M) high	V _{CP_UVH}	ERROR released.			7.2	V
VCP undervoltage, (V _{CP} - V _M) low	V _{CP_UVL}	Warning on ERROR.	5.7		6.7	V

VREG Warnings / CPMODE=X						
---------------------------------	--	--	--	--	--	--

Parameter	Symbol	Test Conditions	Min	Typ	Max	Units
Internal resistive load from V _{CP_REG} to GND	R _{VCP_REG_LEAK}	R _{TYP} = Room R _{MIN} = 150C	0.3	0.4		MΩ
VCP_REG overvoltage high	V _{VCP_REG_OVH}	Warning on ERROR.	14.2		16.5	V
VCP_REG overvoltage low	V _{VCP_REG_OVL}	ERROR released.	13.5			V
VCP_REG overvoltage hyst	V _{VCP_REG_OVH_Y}		0.7	1		V
VCP_REG undervoltage high	V _{VCP_REG_UVH}	ERROR released.			8.1	V
VCP_REG undervoltage low	V _{VCP_REG_UVL}	Warning on ERROR.	6.9		7.8	V

V _{BATF}						
Parameter	Symbol	Test Conditions	Min	Typ	Max	Units
Internal leakage from VMON to GND	R _{VMON_LEAK}	Pre-driver is not in sleep mode.			20	μA

FET GATE DRIVERS						
Parameter	Symbol	Test Conditions	Min	Typ	Max	Units
Driver ON resistance ²⁾	R _{D_R_ON}			4	8	Ω
Rise time	t _R	C _{load} = 1nF, 20% to 80%	6	7	15	ns
Fall time	t _F	C _{load} = 1nF, 80% to 20%	4	7	15	ns
Pull-up on resistance	R _{ON_UP}	-10mA t _J = -40 -10mA, t _J = 150	2.4		6.5	Ω
Pull down on resistance	R _{ON_DN}	10mA t _J = -40 10mA, t _J = 150	1.5		5.7	Ω
Turn on gate drive peak current	I _{G_ON}	V _{GS} = 0V		-1	-1.4	A
Turn off gate drive peak current	I _{G_OFF}	V _{GS} = 12V		1	1.6	A
Propagation delay	t _{PD_DRV}	From logic input threshold to 2V V _{GS} drive output at no load.	20		100	ns
Propagation delay matching	t _{PD_DRVM}	Transitions at the different phases at no load condition.	-20		20	ns
Programmable dead time : asynchronous internal delay between top and bottom FET	t _{DEAD}	DEAD_TIME[2:0] = 000 001 010 011 100 101 110 111	0.0001	0 0.5 0.75 1.0 1.5 2.0 3.0 6.0	0.0002	μs
Dead time tolerance	t _{DEAD_TOL}		-15		15	%
Programmable V _{DS} monitor voltage	V _{DS_MON}	V _{DSMON} [2:0] = 000: disabled 001 010 011 100 101 110 111	0.4 0.6 0.85 1.05 1.25 1.5 1.70	0.5 0.75 1.00 1.25 1.50 1.75 2.00	0.6 0.9 1.15 1.45 1.75 2.00 2.3	V

FET GATE DRIVERS						
Parameter	Symbol	Test Conditions	Min	Typ	Max	Units
Programmable V _{DS} monitor blanking time: internal delay between GATE signal high and enabling the corresponding V _{DS} monitor	t _{VDS_BL}	VDS_BLANK_TIME[1:0] = 00 01 10 11		0.75 1.5 3 6		μs
V _{DS} blanking time tolerance	t _{VDS_TOL}		-15		15	%
Sleep gate discharge resistor	R _{SGD}	Internal resistance between FET gate-source pins to switch-off FET. V _{CC} = 0V (sleep mode) V _{GS} = 0.5V <i>See chapter FET driver during sleep mode.</i>			1	KΩ
V _{GS} under voltage monitor	V _{GS_UV}	Warning on ERROR.	TBD		75	%V _{REG}
PWM frequency	F _{PWM}		5	20	100	KHz
Leakage from VCPx to BMx	R _{CP_LEAK}	Typ = Room Min = 150C	0.75	1		MΩ

²⁾ The driver on resistance is <5Ω at 25°C. Maximum values correspond with 150°C.

Logic IO (FET inputs, EN input)						
Parameter	Symbol	Test Conditions	Min	Typ	Max	Units
Digital input high voltage	V _{IN_DIG_H}	Minimum voltage for input to be treated as logical high			70	%V _{CC}
Digital input low voltage	V _{IN_DIG_L}	Maximum voltage for input to be treated as logical low	30			%V _{CC}
Input pull-up resistance	R _{IN_DIG_PU}	BL1, BL2, BL3	90		410	KΩ
Input pull-down resistance	R _{IN_DIG_PD}	BH1, BH2, BH3	90		410	KΩ
Input pull-down resistance	R _{EN_PD}	ENABLE	90		410	KΩ

SPI TIMING						
Parameter	Symbol	Test Conditions	Min	Typ	Max	Units
SPI initial setup time	t _{SPI_ISU}		2			μsec
SPI clock frequency	F _{SPI}				500	KHz
Rise/fall times	t _{SPI_RF}	All rise/fall times on CLK, CSB, MISO, MOSI			200	nsec
CSB setup time	t _{CSB_SU}		1			μsec
CSB high time	t _{CSB_H}		2			μsec
Clock high time	t _{CLK_H}		1			μsec
Clock low time	t _{CLK_L}		1			μsec
Data in setup time	t _{DI_SU}		1			μsec
Data in hold time	t _{DI_H}		500			μsec
Data out ready delay	t _{DO_R}	Clod at BL1<50pF		500		μsec
EEPROM read delay	t _{EE_RD}	EE_RD = 1	6			μsec
EEPROM write delay	t _{EE_WR}	EE_RD = 1	12			msec

ERROR OUTPUT						
Parameter	Symbol	Test Conditions	Min	Typ	Max	Units
Pull-up current	$I_{\text{ERROR_PU}}$	$V_{\text{ERROR}} = 0\text{V}$	-2.23		-5	mA
Pull-down current	$I_{\text{ERROR_PD}}$	$V_{\text{ERROR}} = V_{\text{CC}}$	5		2.6	mA

ENABLE INPUT						
Parameter	Symbol	Test Conditions	Min	Typ	Max	Units
Bridge disable propagation delay	$EN_{\text{PR_DEL}}$	From bridge enable $EN < 0.2 \cdot V_{\text{CC}}$ to $V_{\text{GS}} < 0.5\text{V}$ with $C_{\text{load}} = 1\text{nF}$.			1	μs

CURRENT SENSE AMPLIFIER						
Parameter	Symbol	Test Conditions	Min	Typ	Max	Units
Input offset voltage	V _{IS_IO}	Input diff. voltage within +/-100mV; common mode within -0.5...1.0V.	-5		5	mV
Input offset voltage thermal drift	V _{IS_IO_TDRIFT}	Input diff. voltage within +/-100mV; common mode within -0.5...1.0V.	-10		10	μV/°C
Input common mode rejection DC	I _{SCMR_DC}	Input diff. voltage within +/-100mV; common mode within -0.5...1.0V.	60			dB
Input common mode rejection 1MHz	I _{SCMRR_AC}	Input diff. voltage within +/-100mV; common mode within -0.5...1.0V.	40			dB
Input power supply rejection DC for V _{CC} supply	I _{SPSRR_DC}	Input diff. voltage within +/-100mV; common mode within -0.5...1.0V.	60			dB
Input power supply rejection 1MHz for V _{CC} supply	I _{SPSRR_AC}	Input diff. voltage within +/-100mV; common mode within -0.5...1.0V.	40			dB
Closed loop gain	I _{SGAIN}	Gain is programmable in EEPROM.	-3%	8.0 10.3 13.3 17.2 22.2 28.7 37.0 47.8	+3%	-
Output settling time	I _{SSET}	Amplified output to 99% of final value after input change.			1.0	μs
Output voltage range high	V _{CURRENT_MAX}	Current sense output max level.	V _{CC} - 0.020		V _{CC}	V
Output voltage range low	V _{CURRENT_MIN}	Current sense output min level.	GND		GND +0.020	V
Output short circuit current to ground	I _{CURRENT_SC}	Output current saturation level.		1.4		mA
GBW	I _{SGBW}		10			MHz
Output slew rate	I _{SSR}			40		V/μs
CM spike recovery	I _{SCM_REC}	CM spike = ± 1.5V duration = 250nsec			730	nS
VREF voltage input	V _{REF}		0		50	%V _{CC}

10 Package Mechanical Data

10.1 QFN32 Dimensional Drawings

Attention: Drawings not to scale.

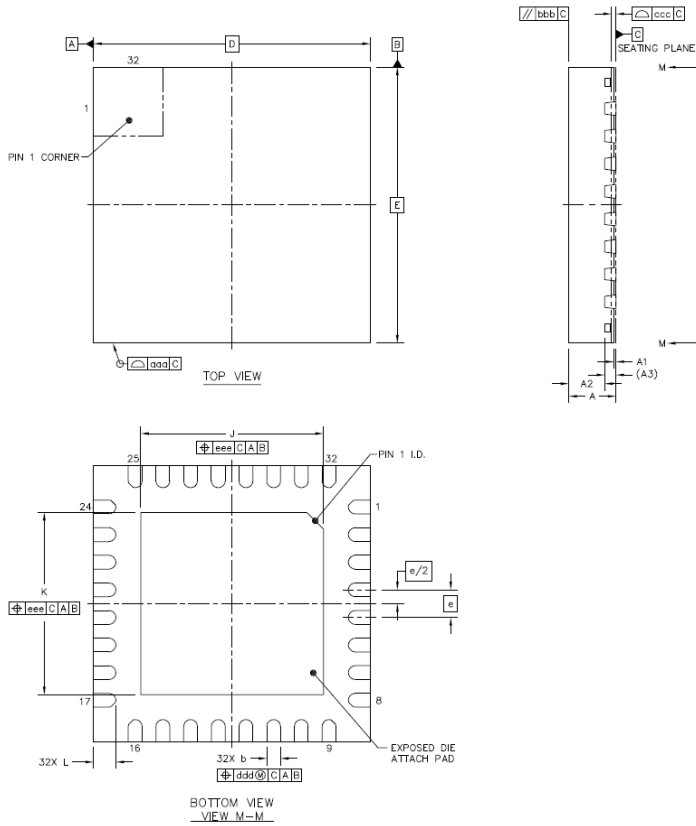


Figure 10.1 Dimensional drawings

Parameter	Ref	Min	Nom	Max
Total thickness	A	0.80	0.85	1.00
Standoff	A1	0.00	0.05	0.05
Lead frame thickness	A3		0.2	
Lead width	b	0.18		0.3
Body size X	D		5.0	
Body size Y	E		5.0	
Lead pitch	e		0.5	
Exposed die pad size X	J	3.5		3.7
Exposed die pad size Y	K	3.5		3.7
Lead length	L	0.3		0.5

General tolerance of D and E is $\pm 0.1\text{mm}$.

Bottom pin 1 identification may vary depending on supplier.

10.2 Package Code

Device	Package	Temperature range	Code/ Marking
TMC6130	QFN32 (RoHS)	-40° to +125°C	TMC6130-LA

11 Disclaimer

TRINAMIC Motion Control GmbH & Co. KG does not authorize or warrant any of its products for use in life support systems, without the specific written consent of TRINAMIC Motion Control GmbH & Co. KG. Life support systems are equipment intended to support or sustain life, and whose failure to perform, when properly used in accordance with instructions provided, can be reasonably expected to result in personal injury or death.

Information given in this data sheet is believed to be accurate and reliable. However no responsibility is assumed for the consequences of its use nor for any infringement of patents or other rights of third parties which may result from its use.

Specifications are subject to change without notice.

All trademarks used are property of their respective owners.

12 ESD Sensitive Device

The TMC6130 is an ESD-sensitive CMOS device and sensitive to electrostatic discharge. Take special care to use adequate grounding of personnel and machines in manual handling. After soldering the devices to the board, ESD requirements are more relaxed. Failure to do so can result in defects or decreased reliability.



Note: In a modern SMD manufacturing process, ESD voltages well below 100V are standard. A major source for ESD is hot-plugging the motor during operation. As the power MOSFETs are discrete devices, the device in fact is very rugged concerning any ESD event on the motor outputs. All other connections are typically protected due to external circuitry on the PCB.

13 Table of Figures

Figure 1.1 Block diagram and principle operation circuit	4
Figure 1.2 Application example for +12V DC	5
Figure 1.3 Application example for +24V DC	5
Figure 1.4 Ground connections	6
Figure 1.5 Supply connectinons	7
Figure 1.6 Gate driver connections	7
Figure 1.7 Digital IO connections	7
Figure 1.8 Amplifier connections	7
Figure 2.1 TMC6130 pin assignments	8
Figure 3.1 Power supply systems: CPMODE = 0 and CPMODE = 1	10
Figure 4.1 ERROR handshake protocol.....	13
Figure 4.2 ERROR output.....	14
Figure 7.1 Fet driver during sleep mode: BMx is kept low with HSx through the internal body diode of the TMC6130.....	20
Figure 10.1 Dimensional drawings	29

14 Revision History

Version	Date	Author	Description
0.9	2014-MAR-10	SD	Initial version; preliminary.
1.0	2016-OCT-28	SK	VDS_ERR error code in error code table corrected. Preliminary state removed.
1.01	2018-JAN-19	BD	Corrected VDS overvoltage description

15 References

[TMC6130-EVAL] TMC6130-EVAL Manual

Please refer to our web page <http://www.trinamic.com>.